

VT9 Series

Anti-Vandal Pull Trim



Corbin Russwin introduces Anti-Vandal Pull Trim for use with ED5000 Series Exit Devices

The VT9 Series Anti-Vandal Pull Trim is designed for exterior doors that require enhanced security and resistance to abuse, vandalism and forced entry. New exit trim features through-bolted 12-gage stainless steel plates equipped with a lip on the active door, protecting the latchbolt. All fasteners are concealed, providing further security and a cleaner hardware finish. Pulls are coated with a matte plastic grip providing comfort for varying temperatures.

Anti-Vandal Pull Trim is available with all Corbin Russwin ED5000 Series Exit Devices:

- › ED5200(S): Rim and SecureBolt™ Devices
- › ED5400: Surface Vertical Rod Devices
- › ED5600: Mortise Devices
- › ED5800: Concealed Vertical Rod Devices

VT9 is ideal for:

- › K-12 schools
- › Universities
- › Retail
- › Commercial
- › Port authority/airports
- › Transit distribution
- › Government

Single Door

Series/Function	Description	For Use With
VT957	Night Latch	ED5200(S) RIM
VTL957	Night Latch with Lip	ED5400 SVR
VT950	Pull	ED5800 CVR
VTL950	Pull with Lip	
VT9M57	Night Latch	ED5600 Mortise
VTL9M57	Night Latch with Lip	

Double Door

Series/Function Active / Inactive	Description	For Use With
VT957 x VT950	Night Latch	ED5200(S) RIM
VTL957 x VT950	Night Latch with Lip	ED5400 SVR
VT950 x VT950	Pull	ED5800 CVR
VTL950 x VT950	Pull with Lip	
VT9M57 x VT950	Night Latch	ED5600 Mortise
VTL9M57 x VT950	Night Latch with Lip	

Note: For mortise exit dummy functions, specify VT950 and VTL950



VT9 Series

Anti-Vandal Pull Trim

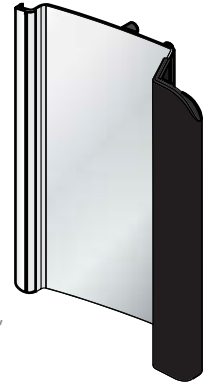
Enhanced Security

VT9 Series installed with Corbin Russwin ED5200S SecureBolt™ rim exit device, equipped with Pyramid High Security patented cylinders (Patent# 6,125,674), provides the ultimate high security locking device:

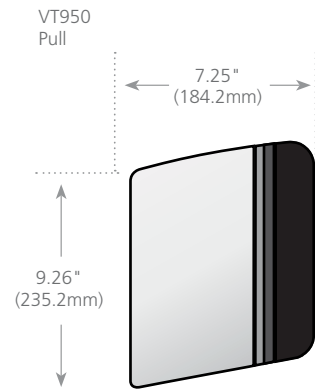
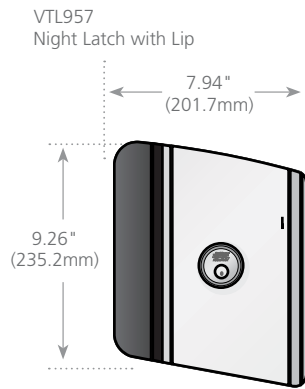
- › No exposed fasteners
- › Corrosion Resistant stainless steel finish
- › Latchbolt protected from forced entry
- › The *SecureBolt* dead-bolt style latch resists over 3700 lbs of direct pull force, overcoming door and frame separation common with rim exit devices
- › Pyramid patented master key system (Patent# 6,125,674) provides both key control and resistance to bumping and drilling backed by a UL437 certification
- › Campus Security: Specify cylinder dogging for classroom intruder applications

Features

- › Heavy duty 12 gage stainless steel in 630 finish
- › Through-bolted for added strength
- › Handed – Specify RHR or LHR
- › ADA Compliant
- › Available for cylinder functions or as pull only
- › Without protective lip for inactive door
- › For use with door thickness from 1-3/4" (standard) up to 2-1/4" Consult factory for thicknesses greater than 2-1/4"
- › 630 finish only
- › Five year warranty



Dimensions



Ordering Examples

Trim Only

Quantity	Trim / Function	Finish	Hand	Door Thickness	Keying
12	VT957	630	RHR	D214	PHS

Exit Device with Trim; Single Opening

Quantity	Exit Device	Trim / Function	Finish	Hand	Door Thickness	Keying
12	ED5200S	VT957	630	RHR	D214	PHS

Pyramid®

**Corbin
Russwin**
ASSA ABLOY

Corbin Russwin
Architectural Hardware
225 Episcopal Road
Berlin, CT 06037
Phone 800-543-3658
Fax 800-447-6714
corbinrusswin.com

Corbin Russwin and Design® and Pyramid and Design® are registered trademarks of Corbin Russwin, Inc., an ASSA ABLOY Group company. SecureBolt™ is a trademark of Corbin Russwin, Inc., an ASSA ABLOY Group company. These materials are protected under US copyright laws. Other products' brand names may be trademarks or registered trademarks of their respective owners and are mentioned for reference purposes only. All contents current at time of publication. Corbin Russwin, Inc., an ASSA ABLOY Group company reserves the right to change availability of any item in this product bulletin, its design, construction, and/or its materials. Copyright © 2008 Corbin Russwin, Inc., an ASSA ABLOY Group company. All rights reserved. Reproduction in whole or in part without the express written permission of Corbin Russwin, Inc. is prohibited. 45110 0708

ASSA ABLOY is the global leader in door opening solutions, dedicated to satisfying end-user needs for security, safety and convenience