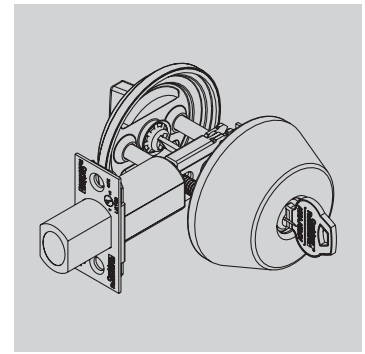


# Deadlocks

## DL2200 and DL3200 Cylindrical Deadlocks



### Corbin Russwin Introduces DL2200 and DL3200 Cylindrical Deadlocks

Corbin Russwin is pleased to introduce the DL2200 and DL3200 cylindrical deadlocks. These easy to install deadlocks feature a solid steel deadbolt - with a hardened, free spinning, steel pin insert – and a 1" throw. Ideal for a variety of applications, the DL2200 is certified to 156.5 Grade 2 standards and the DL3200 is certified to 156.5 Grade 1 standards.

#### Features

- Solid steel deadbolt with a hardened, free spinning, steel pin insert and a 1" throw
- 1-3/4" door thickness standard; additional door thicknesses offered
- Available in 2-3/4" or 2-3/8" backsets
- Standard 161 door prep
- Pyramid cylinders optional
- UL listed for use with Fire Rated doors

#### How to Order

##### DL2200 Series

| Quantity | Series/Function | Finish |
|----------|-----------------|--------|
| 25       | DL2213          | 626    |

##### DL3200 Series

| Quantity | Series/Function | Finish |
|----------|-----------------|--------|
| 25       | DL3213          | 625    |

The DL2200 and DL3200 series cylindrical deadlocks will replace the DL2100 and DL3100 series. Beginning May 16th, orders received for the DL2100 and DL3100 series will automatically be converted to DL2200 and DL3200 series. All DL2100 and DL3100 series warranty replacements will be fulfilled with the DL2200 and DL3200 series.

Catalog pages and pricing are enclosed. A new Padlocks and Deadlocks catalog will be made available on the website.

For additional information contact your ASSA ABLOY Door Security Solutions sales consultant or visit [www.corbinrusswin.com](http://www.corbinrusswin.com).

product bulletin