

CL3500 Series

Heavy-Duty Cylindrical Lever Locksets
Newport Lever [NZD] Change



Corbin Russwin's CL3500 Newport lever [NZD] will be lengthened by a half inch (see below image) to match the specs for other Corbin Russwin Cylindrical locksets that use the same lever and rose style:

- › CL3300 x NZD
- › CL3800 x NZD *NEW*

Shipping Feb. 1, 2007 see separate mailing notice

This creates a design continuum among all three locksets. When used in conjunction with the CL3300 Series Extra Heavy Duty Grade 1 and the new CL3800 Series Standard Duty Grade 2 lever locksets, the overall cost of many projects may be reduced without compromising functionality, durability and visual aesthetics.



Look for this Label on CL3500 x NZD box

product bulletin

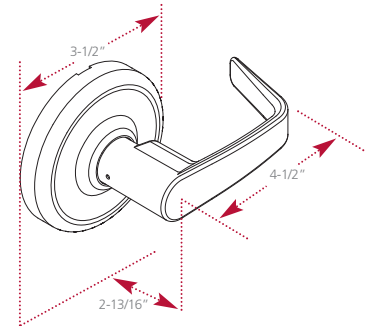
- › Beginning January 2007, all CL3500 x NZD orders will ship **standard** with a 4-1/2" lever, regardless of order entry date.
- › No special order instructions nor quick-codes required to specify 4-1/2" NZD lever.

CL3500 Newport Lever; NZD



CL3500 X NZD LEVER PART NUMBERS

Old P/N (Short)	New P/N (Long)	Description
598F845 FIN	797F845 FIN	NZD PLAIN LEVER
598F855 FIN	797F855 FIN	NZD BUT/CYL LEVER
598F865 FIN	797F865 FIN	NZD EMER LEVER
598F975 FIN	797F875 FIN	NZD SARGENT® LEVER
598F915 FIN	797F915 FIN	NZD IC 6-PIN LEVER
598F295 FIN	797F925 FIN	NZD IC 7-PIN LEVER
598F945 FIN	797F945 FIN	NZD BEST® LEVER



Corbin Russwin Architectural Hardware
225 Episcopal Road Berlin, CT 06037
Phone 800-543-3658 Fax 800-447-6714
corbinrusswin.com

Corbin Russwin and Design® is a registered trademark of Corbin Russwin, Inc., an ASSA ABLOY Group company. These materials are protected under US copyright laws. Copyright ©2007, 2009 Corbin Russwin, Inc., an ASSA ABLOY Group company. All rights reserved. All contents current at time of publication. Corbin Russwin, Inc., an ASSA ABLOY Group company, reserves the right to change availability of any item in this technical bulletin, its design, construction, and/or its materials.

45351-5/09R