

**Corbin
Russwin** 

ASSA ABLOY

ED7000 Series

Narrow Stile Crossbar Exit Devices



ASSA ABLOY, the global leader
in door opening solutions



Applications

ED7000

Narrow Stile Crossbar Exit Devices ED7000 Series



Applications

Since patenting some of the first exit devices nearly a century ago, Corbin Russwin has met rigorous life safety and security requirements, while offering pleasing aesthetics and trouble-free operation. ED7000 Series Crossbar Exit Devices are designed for high-use, high-abuse applications on narrow and regular stile doors in new construction and renovations including:

- Schools and universities
- Health care
- Government
- Commercial and industrial
- Office and retail
- Transportation and utilities
- Hotels and conference centers
- Religious

Advantages

- Meets or exceeds all ANSI Grade 1 requirements
- Heavy-duty construction
- Base metals (brass, bronze and stainless steel) for durability
- Easy-to-use crossbar operation assures quick egress and ADA compliance
- Dogging standard on all panic listed devices
- Through-bolted trims for strength and security
- Wide range of trim styles and finishes to match other Corbin Russwin products
- Devices available to satisfy panic and fire opening requirements

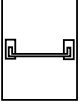
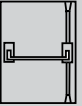
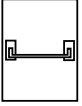
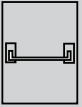
Table of Contents

Applications.....	2
Applications and Listings.....	3
Features, Trims and Functions	
Rim Exit	4
Mullions.....	7
Vertical Rod Exit.....	8
Mortise Exit.....	12
Concealed Vertical Rod Exit	16
Options and Accessories ...	19
How to Order	22
Helpful Terms	25
How to Specify.....	26

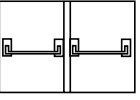
Applications and Listings

ED7000

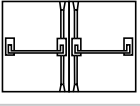
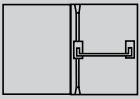
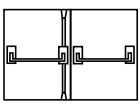
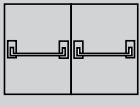
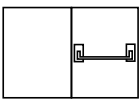
UL Listed by Underwriters Laboratories, Inc., as fire exit hardware

Single Door	Max. Door Opening	Fire Door Ratings					Application	
		A	B, D	C, E				
		3 Hr.	1-1/2 Hr.	3/4 Hr.	1/2 Hr.	1/3 Hr.		
Rim ED7200	None	Devices are panic listed only.					Surface applied; single point latching	
Vertical Rod ED7400	4' x 10'	Devices are panic listed only.					Surface applied; two point latching	
Mortise ED7600	None	Devices are panic listed only.					Mortised in door; single point latching	
ED7600A	4' x 7'2"	UL	UL	UL	UL	UL		
Concealed Vertical Rod ED7800	4' x 10'8"	Devices are panic listed only.					Rods concealed in door; two point latching	
ED7800A	4' x 7'2"	UL	UL	UL	UL	UL		

Pair of Doors with Removable Mullion

Rim x Rim ED7200 x ED7200 x 507	8' x 7'2"	Devices are panic listed only.					2 independent, active doors with removable mullion	
ED7200 x ED7200 x 510	8' x 10'	Devices are panic listed only.						

Pair of Doors

Vertical Rod (Swinging in the same direction) ED7400 x ED7400	8' x 10'	Devices are panic listed only.					2 independent doors with 2 point latching — do not use overlapping astragal	
Vertical Rod (Swinging in Opposite Directions) ED7400 x ED7400	8' x 10'	Devices are panic listed only.					2 independent doors with 2 point latching	
Vertical Rod x Mortise ED7400 x ED7600	8' x 10'	Devices are panic listed only.					Coordinator recommended with standard strike	
ED7400 x ED7600 x Open Back Strike	8' x 10'	Devices are panic listed only.						
Concealed Vertical Rod (Swinging in same direction) ED7800 x ED7800	8' x 10'8"	Devices are panic listed only.					2 independent doors with 2 point latching — do not use overlapping astragal.	
ED7800A x ED7800A	8' x 7'2"	—	UL	UL	UL	UL		
Concealed Vertical Rod (Swinging in opposite directions) ED7800 x ED7800	8' x 10'8"	—	Devices are panic listed only.				2 independent doors with 2 point latching — overlapping astragal required for 3 hour openings	
ED7800A x ED7800A	8' x 7'2"	—	UL	UL	UL	UL		

Rim Exit Features

ED7000

ED7200 Panic Listed Rim Exit Device

Features

Handing

Field reversible; specify hand.

Bar Length

Easily field cut to size.

Standard 36" (914mm) bar fits doors up to 36" (914mm).

Optional 48" (1219mm) bar fits doors up to 48" (1219mm) doors; see How to Order page 24.

Door Thickness

Standard: 1-3/4" (44mm).

Optional: 2" (51mm) and 2-1/4" (57mm); see How to Order, page 24.

Backset

1-3/4" (44mm) with standard strike and 1/2" (13mm) stop. (Backset changes when mullion is used).

Stile

Minimum width 2-1/2" (64mm) with standard strike and 1/2" (13mm) stop.

Projection

4-7/8" (124mm); 3-1/8" (79mm) depressed.

Latchbolt

5/8" (16mm) throw pivoted.

Latch Hold-Back

Standard: latch remains in hold-back position by full rotation of key outside.

Optional: less latch hold-back; see How to Order, page 23.

Materials

Brass, bronze or stainless steel.

Cases

Heavy cast, 7-1/2" (191mm) x 1-1/4" (32mm).

Crossbar

Standard: 13/16" (21mm) x 1-3/8" (35mm) oval seamless tubing.

Optional: reinforced crossbar and stainless steel crossbar; see How to Order, page 23.

Dogging

Standard on ED7200 devices.

Optional: less dogging; see How to Order, page 23.

Fasteners

Standard: machine screws.

Optional: sex nuts and bolts or spanner head screws; see How to Order, page 23.

Strike

See Options and Accessories, page 19.

Removable Mullion

See Mullions, page 7.

Trims and Functions

Through-bolted pull trims available; see Trims and Functions, page 6.

Cylinders

Brass, 6-pin, L4 keyway, 0-bitted standard. Optional cylinders available; see How to Order, page 23.

Keys

Two nickel silver standard.

Applications and Listings

See page 3.

Warranty

One-year limited.

Certification/Compliance

ANSI

Meets A156.3, Grade 1.

Meets A117.1 Accessibility Code.

UL/ULC

All exit devices listed for safety as panic hardware; devices comply with UL305 standards for panic hardware. UL symbol on active head indicates listing.



NFPA

All exit devices comply with NFPA 101 Life Safety Code.

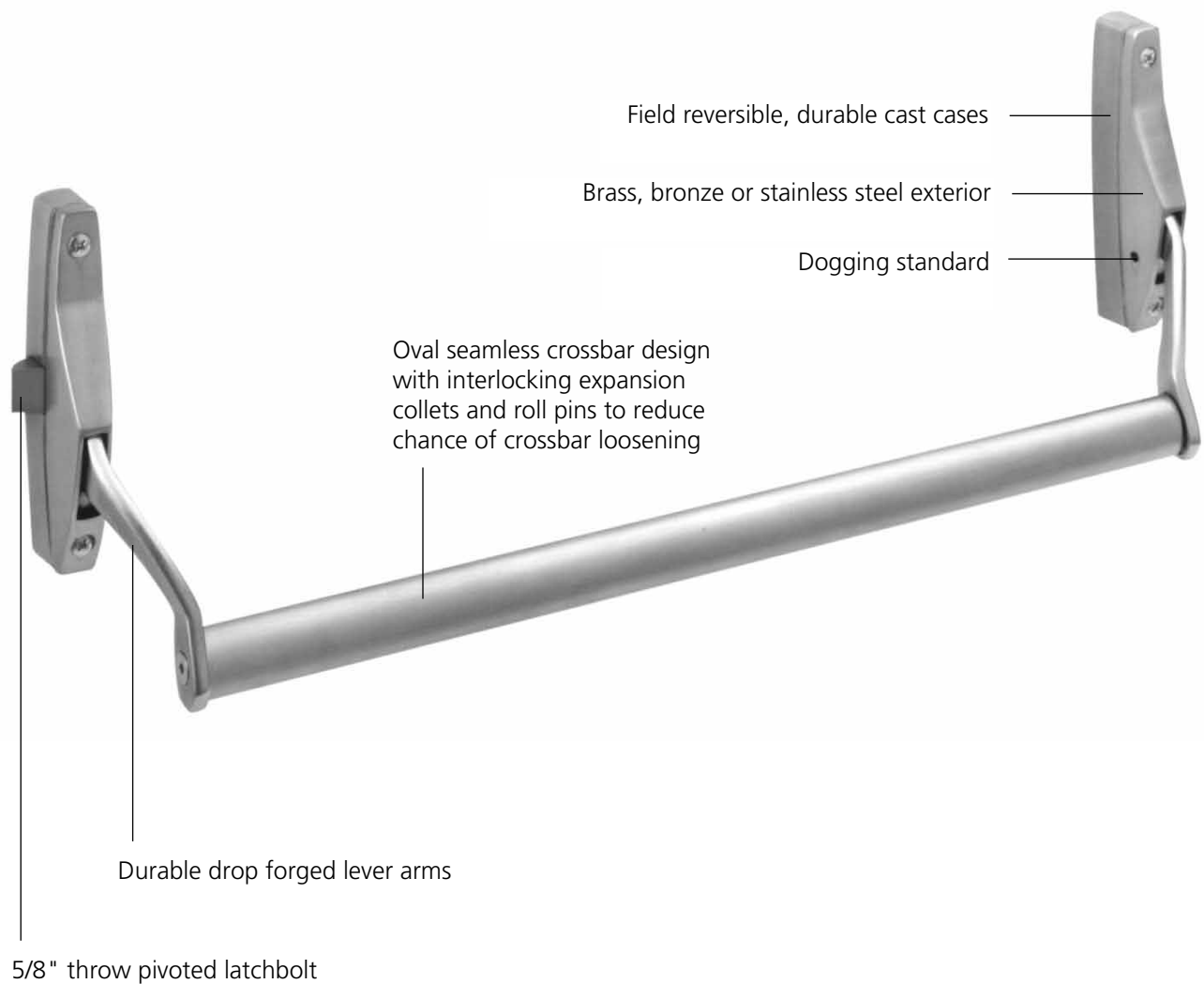
ADA

Exit devices and pull trims comply with Americans with Disabilities Act.

Finishes

BHMA 605	Bright Brass
BHMA 606	Satin Brass
BHMA 611	Bright Bronze
BHMA 612	Satin Bronze
BHMA 613	Oxidized Bronze, oil rubbed, available lacquered
BHMA 618	Bright Nickel Plated
BHMA 619	Satin Nickel Plated
BHMA 625	Bright Chromium Plated
BHMA 626	Satin Chromium Plated
626C	Satin Chrome Plated with MicroShield® 
BHMA 629	Bright Stainless Steel
BHMA 630	Satin Stainless Steel
630C	Satin Stainless Steel with MicroShield® 
BHMA 722	Black oxidized bronze, oil rubbed



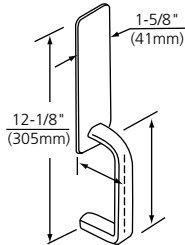


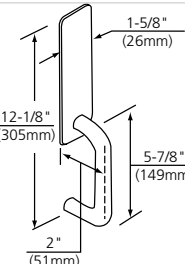


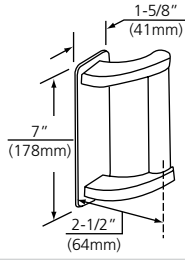

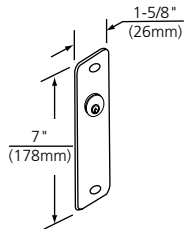
ED7200 Rim Exit Device



Rim Trims and Functions


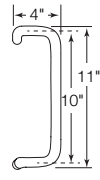

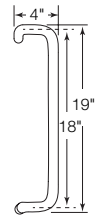

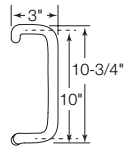
ED7000

Rim Exit Device	ANSI Type	Type	ANSI No.	Function Description
ED7200	4	Exit Only	01	<ul style="list-style-type: none"> Exit only; no trim. (Accepts all trims listed below)
For Dummy and Nightlatch functions, see Trim Designs below.		Dummy	02	<ul style="list-style-type: none"> Always rigid.
		Nightlatch	03/04/09	<ul style="list-style-type: none"> Always rigid. Key removable only when locked.

Pull Trim Design			Trim/Function		
			Dummy ANSI No. 02	Nightlatch ANSI No. 03/04/09	
	D Grip Pull P4 Grip: Extruded Escutcheon: Wrought Cylinder: Rim			P450	P457
	Round Grip Pull P5 Grip: Extruded Escutcheon: Wrought Cylinder: Rim			P560	P557
	Pull P6 Grip: Wrought Escutcheon: Wrought Cylinder: Rim			P650	P657
	Plate P7 Escutcheon: Wrought Cylinder: Rim			N/A	P757

Offset Pull Trims/Mullions

ED7000

Offset Pull Trim: P12, P13, P14			
	<p>Offset Pull P12 Clearance: 2-1/2"</p>		Specify Part Number, 716F50M x Finish ¹
	<p>Offset Pull P13 Clearance: 2-1/2"</p>		Specify Part Number, 716F51M x Finish ¹
	<p>Offset Pull P14 Clearance: 2-1/2"</p>		Specify Part Number, 716F52M x Finish ¹

1. Available in 605, 606, 612, 613, 626, 629 and 630 finishes.

500 Series Removable Mullions

The 500 series mullions are used to install two ED7200 Rim Exit Devices in a double door opening. They may be quickly and easily removed, then reinstalled, when a full double door opening is temporarily required. The 500 series mullions meet ANSI A156.3, Type 22.

Materials and Finish

Steel mullion with malleable iron top and bottom plates; furnished with zinc plated fasteners for metal frames and concrete floors. May be cut, drilled and tapped in the field for Rim Exit Devices. Primed for painting, BHMA 600, grey.

Mullion Opening Height

- 507 - Accommodates fire-rated door openings up to 7'2" high. May be field cut for doors under 7'2".
- 508 - Accommodates panic-listed door openings up to 8'0" high. May be field cut for doors under 8'0".
- 510 - Accommodates panic-listed door openings up to 10'0" high. May be field cut for doors under 10'0".

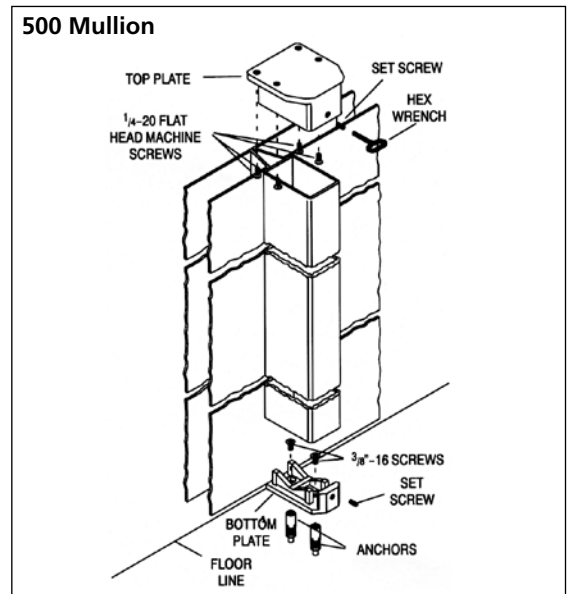
How to Order

UL Fire Rating ²	Mullion Opening Height	Catalog Number
3-Hour	Up to 7'2"	507
Panic Only	Up to 8'0"	508
Panic Only	Up to 10'0"	510

Note:

2. UL label on mullion indicates listing.

ASSA ABLOY, the global leader in door opening solutions



Vertical Rod Exit Features

ED7400

ED7400 Panic Listed Vertical Rod Exit Device

Features

Handing

Field reversible; specify hand.

Bar Length

Easily field cut to size.

Standard 36" (914mm) bar fits doors up to 36" (914mm).

Optional 48" (1219mm) bar fits doors up to 48" (1219mm) doors; see How to Order page 24.

Door Thickness

Standard: 1-3/4" (44mm).

Optional: 2" (51mm) and 2-1/4" (57mm); see How to Order, page 24.

Backset

1-1/8" (26mm) minimum for 1/2" (13mm) stop

1-1/4" (32mm) minimum for 5/8" (16mm) stop.

Stile

Minimum width 1-7/8" (47mm) for 1/2" (13mm) stop; 2" (51mm) for 5/8" (16mm) stop.

Door Height

All top rods easily field cut to size.

Standard; top rod for 7'6" door.

Optional; top rod for doors up to 10'; see How to Order, page 24.

Projection

4-7/8" (124mm); 3-1/8" (79mm) depressed.

Latchbolts

Top: 1/2" (13mm) throw pivoted.

Bottom: 5/8" (16mm) throw pivoted.

Bottom latch acts independently, allowing top latch to remain engaged even when bottom latch is not projected.

Vertical Rods

Inverted U-shaped rectangular with concealed rod guides.

Materials

Brass, bronze or stainless steel.

Cases

Heavy cast.

Active case: 8" x 1-1/4" (203mm) x (32mm).

Inactive case: 7-1/2" x 1-1/4" (191mm) x (32mm).

Top latch: 5-11/16" x 1-1/4" (144mm) x (32mm).

Bottom latch: 5-5/8" x 1-1/4" (143mm) x (32mm).

Crossbar

Standard: 13/16" x 1-3/8" (21mm) x (35mm) oval seamless tubing.

Optional: reinforced crossbar and stainless steel crossbar; see How to Order, page 23.

Dogging

Standard on ED7400 devices.

Optional: less dogging; see How to Order, page 23.

Strikes

See Options and Accessories, page 19.

Trims and Functions

Through-bolted lever, pull and operator trims available; see Trims and Functions, page 10.

Cylinders

Brass, 6-pin, L4 keyway, 0-bitted standard.

Optional cylinders available; see How to Order, page 23.

Keys

Two nickel silver standard.

Applications and Listings

See page 3.

Warranty

One-year limited.

Certification/Compliance

ANSI

Meets A156.3, Grade 1.

Meets A117.1 Accessibility Code.

UL/ULC

All exit devices listed for safety as panic hardware; devices comply with UL305 standards for panic hardware. UL symbol on active head indicates listing.

California State Reference Code

(Formerly Title 19, California State Fire Marshal Standard)

Lever with returns comply.



NFPA

All exit devices comply with NFPA 101 Life Safety Code.

ADA

Exit devices, pull trims and lever trims comply with Americans with Disabilities Act.

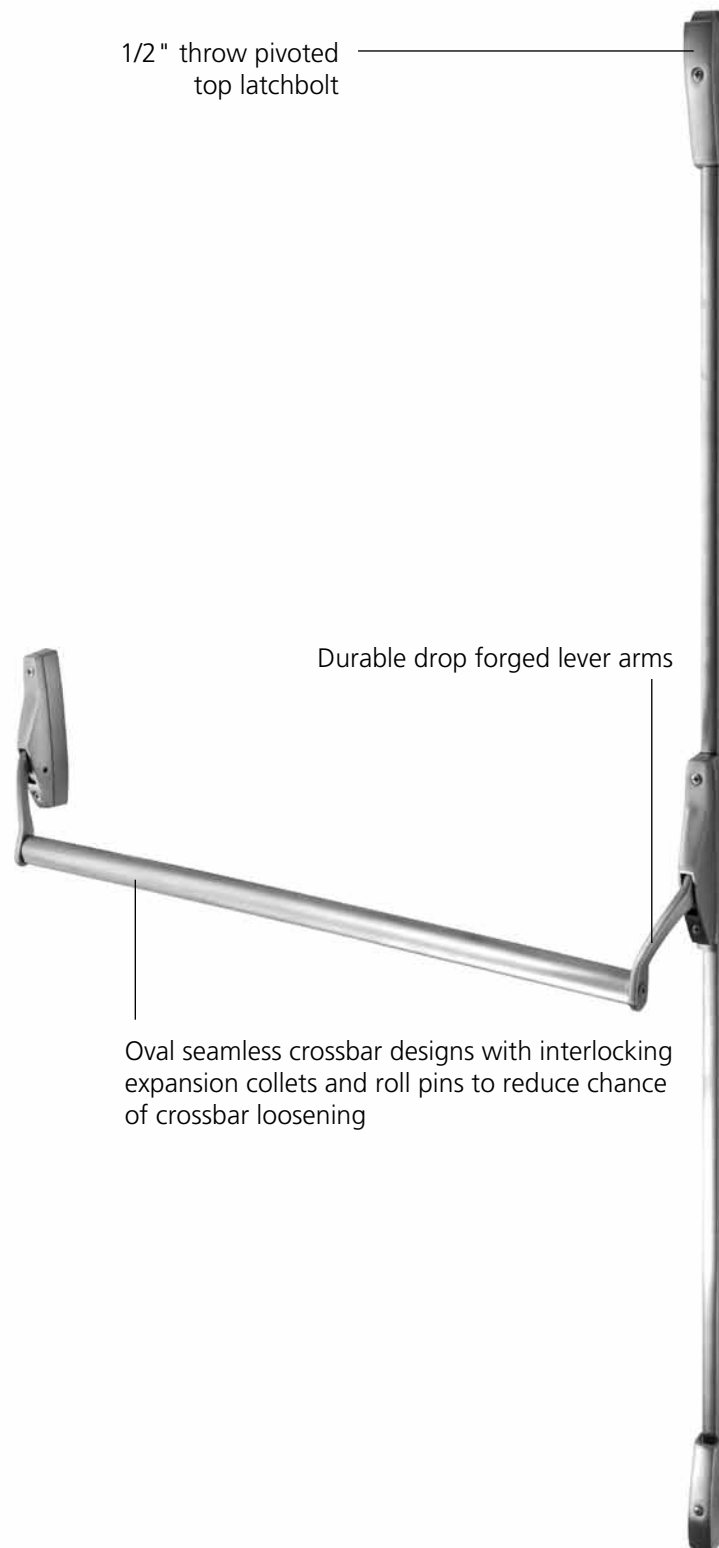
Finishes

BHMA 605	Bright Brass
BHMA 606	Satin Brass
BHMA 611	Bright Bronze
BHMA 612	Satin Bronze
BHMA 613	Oxidized Bronze, oil rubbed, available lacquered
BHMA 618	Bright Nickel Plated
BHMA 619	Satin Nickel Plated
BHMA 625	Bright Chromium Plated
BHMA 626	Satin Chromium Plated
626C	Satin Chrome Plated with MicroShield® 
BHMA 629	Bright Stainless Steel
BHMA 630	Satin Stainless Steel
630C	Satin Stainless Steel with MicroShield® 
BHMA 722	Black oxidized bronze, oil rubbed

Vertical Rod Exit Features

ED7400



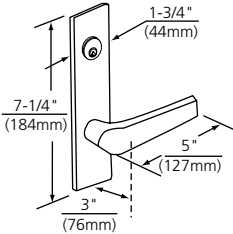


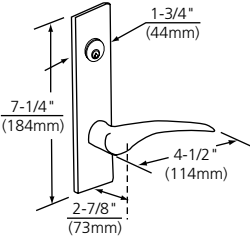
ED7400 Panic Listed Vertical Rod Exit Device



Vertical Rod Trims and Functions




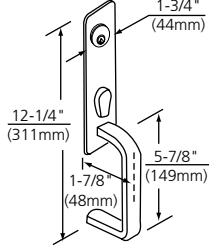



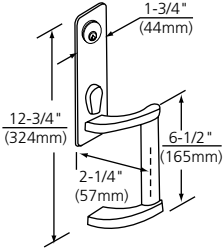
ED7400

Vertical Rod Exit Device	ANSI Type	Type	ANSI No.	Function Description
ED7400	5	Exit Only	01	<ul style="list-style-type: none"> Exit only; no trim. (Accepts operator trim.)
ED7401	5	Exit Only	01	<ul style="list-style-type: none"> Exit only; no trim. (Accepts lever trim. 1-3/4" door only.)
For Dummy and Nightlatch functions, see Trim Designs below.		Classroom	08/11	<ul style="list-style-type: none"> Free at all times, except when locked by key.
		Nightlatch	03/04/09/12	<ul style="list-style-type: none"> Always rigid. Key removable only when locked.

Lever Trim Design (Available with ED7401 devices only.)			Trim/Function	
			Classroom ANSI No. 08	Nightlatch ANSI No. 03/04/09
	<p>Citation C4</p> <p>Lever: Cast Escutcheon: Cast Cylinder: Mortise A02 MR Cylinder: 4266-001-A02 *1-3/4" thick door only</p> 		C455	C457
	<p>Dirke D4</p> <p>Lever: Cast Escutcheon: Cast Cylinder: Mortise A02 MR Cylinder: 4266-001-A02 *1-3/4" thick door only</p> 		D455	D457

Vertical Rod Trims and Functions

ED7400

Operator Trim Design (Available with ED7400 devices only.)		Trim/Function	
		Classroom ANSI No. 11	Nightlatch ANSI No. 03/04/12
	<p>D Grip Operator 03</p> <p>Grip: Extruded Escutcheon: Cast Cylinder: Mortise A02 MR Cylinder: 4266-001-A02</p>  		<p>0355</p> <p>0357 0356*</p>
	<p>Round Grip Operator 04</p> <p>Grip: Extruded Escutcheon: Cast Cylinder: Mortise A02 MR Cylinder: 4266-001-A02</p>  		<p>0455</p> <p>0457 0456*</p>

*Key also used to hold top and bottom latchbolts in retracted position for ANSI No. 4 function.

Mortise Exit Features

ED7600

ED7600 Panic Listed Mortise Exit Device

ED7600A 3 Hour Fire Rated Mortise Exit Device

Features

Handing

Device is field reversible, but strike is not; specify hand.

Bar Length

Easily field cut to size.
Standard 36" (914mm) bar fits doors up to 36" (914mm).
Optional 48" bar fits doors up to 48" (1219mm) doors; see How to Order page 24.

Door Thickness

Standard: 1-3/4" (44mm).
Optional: 2" (51mm) and 2-1/4" (57mm); see How to Order, page 24.

Backset

2-3/4" (70mm).

Stile

Minimum width 5" (127mm).

Projection

4-7/8" (124mm); 3-1/8" (79mm) depressed.

Latchbolt

Stainless Steel, 3/4" (19mm) throw.

Auxiliary Latchbolt

Stainless Steel.

Latch Hold-Back

Standard on ED7600 devices with keyed function trim; latchbolt may be held in retracted position by pushing in latchbolt and turning key.
Optional: less latch hold-back; see How to Order, page 23.
Latch hold-back not available on ED7600A devices.

Front

Heavy gauge steel, 8" (203mm) x 1-1/4" (32mm). Accommodates flat doors and doors beveled 1/8" (3mm) in 2" (51mm).

Materials

Brass, bronze or stainless steel.

Cases

Heavy cast, 7-1/2" (191mm) x 1-1/4" (44mm).

Crossbar

Standard: 13/16" (21mm) x 1-3/8" (35mm) oval seamless tubing.
Optional: reinforced crossbar and stainless steel crossbar; see How to Order, page 23.

Dogging

Standard on ED7600 devices.
Optional: less dogging; see How to Order, page 23.
Dogging not available on ED7600A devices.

Fasteners

Standard on ED7600 devices: machine screws.
Optional on ED7600 devices: sex nuts and bolts; see How to Order, page 23.
Standard on ED7600A devices: sex nuts and bolts.
Optional on ED7600 and ED7600A devices: spanner head screws; see How to Order, page 23.

Strike

See Options and Accessories, page 20.

Trims and Functions

Through-bolted lever, knob and thumbpiece trims available; see Trims and Functions, page 14.

Cylinders

Brass, 6-pin, L4 keyway, 0-bitted standard.
Optional cylinders available; see How to Order, page 23.

Keys

Two nickel silver standard.

Applications and Listings

See page 3.

Warranty

One-year limited.

Certification/Compliance

ANSI

Meets A156.3, Grade 1.
Meets A117.1 Accessibility Code.

UL/ULC

All exit devices listed for safety as panic hardware; devices comply with UL305 standards for panic hardware. UL symbol on active head indicates listing.
3 hour fire-rated devices listed as fire exit hardware for A label and lesser class 4' x 7'2" single doors. UL symbol on active head indicates listing.

Any retrofit or other field modification to a fire-rated opening can potentially impact the fire rating of the opening, and Corbin Russwin, Inc. makes no representations or warranties concerning what such impact may be in any specific situation. When retrofitting any portion of an existing fire-rated opening, or specifying and installing a new fire-rated opening, please consult with a code specialist or local code official (Authority Having Jurisdiction) to ensure compliance with all applicable codes and ratings.

California State Reference Code (Formerly Title 19, California State Fire Marshal Standard)

Levers with returns comply.



NFPA

All exit devices comply with NFPA 101 Life Safety Code. Fire-rated devices comply with NFPA 80 Fire Doors and Windows.

ADA

Exit devices and lever trims comply with Americans with Disabilities Act.

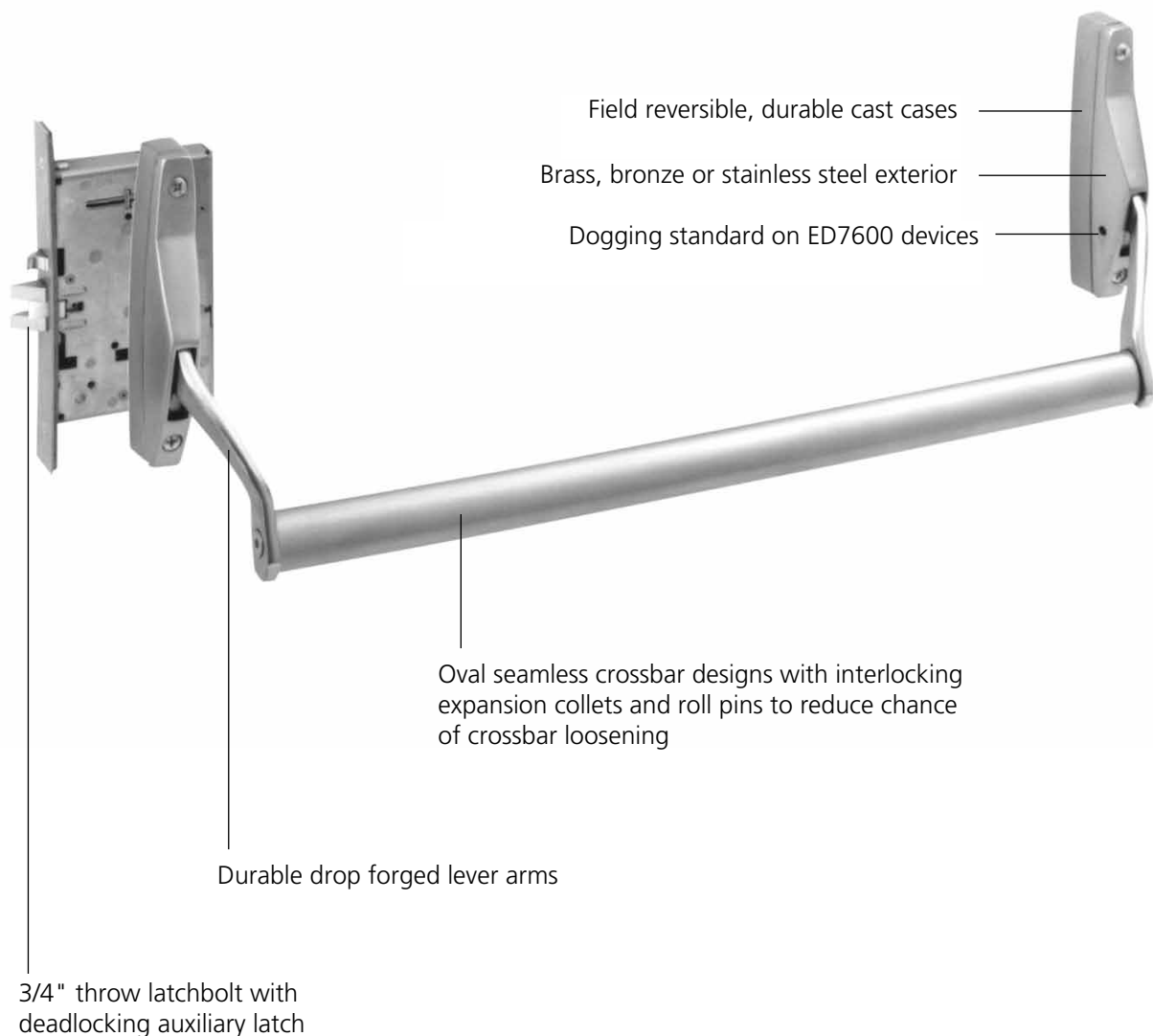
Finishes

BHMA 605	Bright Brass
BHMA 606	Satin Brass
BHMA 611	Bright Bronze
BHMA 612	Satin Bronze
BHMA 613	Oxidized Bronze, oil rubbed, available lacquered
BHMA 618	Bright Nickel Plated
BHMA 619	Satin Nickel Plated
BHMA 625	Bright Chromium Plated
BHMA 626	Satin Chromium Plated
626C	Satin Chrome Plated with MicroShield® 
BHMA 629	Bright Stainless Steel
BHMA 630	Satin Stainless Steel
630C	Satin Stainless Steel with MicroShield® 
BHMA 722	Black oxidized bronze, oil rubbed

Mortise Exit Features

ED7600



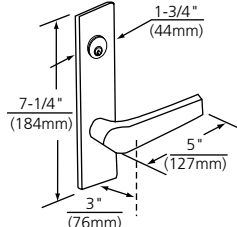


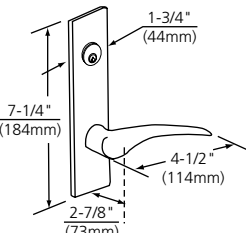


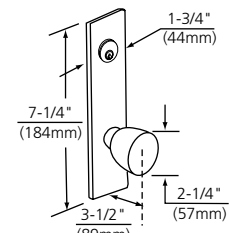


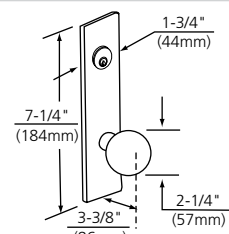
ED7600 and ED7600A Mortise Exit Devices



Mortise Trims and Functions



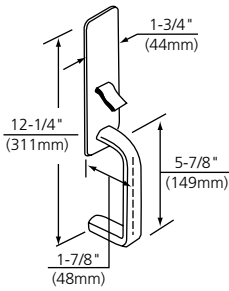


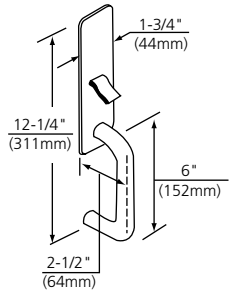

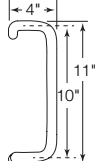

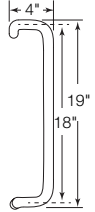

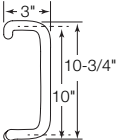
ED7600

Mortise Exit Device	ANSI Type	Type	ANSI No.	Function Description
ED7600	10	Exit Only	01	• Exit only; no trim. (Accepts all trims listed on pages 14 and 15)
ED7600A	10	Exit Only	01	• 3-hour fire-rated exit only; no trim. (Accepts all trims listed on pages 14 and 15.)
For Passage, Dummy, Classroom and Nightlatch functions, see Trim Designs below and on page 15.		Passage	—	• Free at all times.
		Dummy	02	• Always rigid.
		Classroom	05/08	• Free at all times, except when locked by key.
		Nightlatch	03/04/06/09	• Always rigid. Key removable only when locked.

Lever or Knob Trim Design	Trim/Function			
	Passage	Dummy ANSI No. 02	Classroom ANSI No. 05/08	Nightlatch ANSI No. 03/04/06/09
 <p>Citation C4M Lever: Cast Escutcheon: Cast Cylinder: 1-1/2" Mortise A02 (For 1-3/4" Doors)</p>  	C4M10	N/A	C4M55	N/A
 <p>Dirke D4M Lever: Cast Escutcheon: Cast Cylinder: 1-1/2" Mortise A02 (For 1-3/4" Doors)</p>  	D4M10	N/A	D4M55	N/A
 <p>Belmont B5M Knob: Wrought reinforced Escutcheon: Cast Cylinder: 1-1/2" Mortise A02 (For 1-3/4" Doors)</p>  	B5M10	B5M50	B5M55	N/A
 <p>Global G6M Knob: Wrought reinforced Escutcheon: Cast Cylinder: 1-1/2" Mortise A02 (For 1-3/4" Doors)</p>  	G6M10	G6M50	G6M55	N/A

Mortise Trims and Functions

ED7600

Thumbpiece Trim			Trim/Function			
			Passage	Dummy ANSI No. 02	Classroom ANSI No. 05/08	Nightlatch ANSI No. 03/04/06/09
	<p>D Grip T11M Grip: Extruded Escutcheon: Cast Cylinder: 1-1/4" Mortise A02 (For 1-3/4" Doors)</p> 		T11M10	T11M50	T11M55	T11M57
	<p>Round Grip T12M Grip: Extruded Escutcheon: Cast Cylinder: 1-1/4" Mortise A02 (For 1-3/4" Doors)</p> 		T12M10	T12M50	T12M55	T12M57
Offset Pull Trim: P12, P13, P14						
	<p>Offset Pull P12 Clearance: 2-1/2"</p>		Specify Part Number, 716F50M x Finish ¹			
	<p>Offset Pull P13 Clearance: 2-1/2"</p>		Specify Part Number, 716F51M x Finish ¹			
	<p>Offset Pull P14 Clearance: 2-1/2"</p>		Specify Part Number, 716F52M x Finish ¹			

1. Available in 605, 606, 612, 613, 626, 629 and 630 finishes.

Concealed Vertical Rod Exit Features

ED7800

ED7800 Panic Listed Concealed Vertical Rod Exit Device

ED7800A 3 Hour Fire Rated Concealed Vertical Rod Exit Device

FOR USE WITH METAL DOORS ONLY

Features

Handing

Field reversible; specify hand.

Bar Length

Easily field cut to size.

Standard 36" (914mm) bar fits doors up to 36" (914mm).

Optional 48" (1219mm) bar fits doors up to 48" (1219mm) doors; see How to Order page 24.

Door Thickness

1-3/4" (44mm) only (requires properly reinforced door).

Backset

1-3/8" (35mm) on single door with 5/8" (16mm) stop. 1" (25mm) on pair of doors.

Stile

Minimum width: 2-1/8" (54mm) on single door; 1-3/4" (44mm) on pair of doors.

Door Height

All top rods easily field cut to size.

Standard on ED7800 devices; top rod for doors up to 8'6".

Optional on ED7800 devices; top rod for doors up to 10'8"; see How to Order, page 24.

Standard on ED7800A devices; top rod for 7'2" doors.

Projection

4-7/8" (124mm); 3-1/8" (79mm) depressed.

Latchbolts

Top: 3/4" (19mm) throw pivoted and deadlocking.

Bottom: 13/16" (21mm) throw rounded steel.

Vertical Rods

Top: 3/8" (10mm) solid steel.

Bottom: 1/2" (13mm) O.D. steel tubing.

Materials

Brass, bronze or stainless steel.

Cases

Heavy cast, 7-1/2" (191mm) x 1-1/4" (32mm).

Crossbar

Standard: 13/16" (21mm) x 1-3/8" (35mm) oval seamless tubing.

Optional: reinforced crossbar and stainless steel crossbar; see How to Order, page 23.

Dogging

Standard on ED7800 devices.

Optional: less dogging; see How to Order, page 23.

Dogging not available on ED7800A devices.

Fasteners

Standard on ED7800 devices: machine screws.

Optional on ED7800 and ED7800A devices: spanner head screws; see How to Order, page 23.

Strike

See Options and Accessories, page 20.

Trims and Functions

Operator trim available with nightlatch function; see Trims and Functions, page 18.

Cylinders

Brass, 6-pin, L4 keyway, 0-bitted standard. Optional cylinders available; see How to Order, page 23.

Keys

Two nickel silver standard.

Applications and Listings

See page 3.

Warranty

One-year limited.

Certification/Compliance

ANSI

Meets A156.3, Grade 1.

Meets A117.1 Accessibility Code.

UL/ULC

All exit devices listed for safety as panic hardware; devices comply with UL305 standards for panic hardware. UL symbol on active head indicates listing.

3 hour fire-rated devices listed as fire exit hardware for A label and lesser class 4' x 7'2" single and 8' x 7'2" double doors.

UL symbol on active head indicates listing.

Any retrofit or other field modification to a fire-rated opening can potentially impact the fire rating of the opening, and Corbin Russwin, Inc. makes no representations or warranties concerning what such impact may be in any specific situation. When retrofitting any portion of an existing fire-rated opening, or specifying and installing a new fire-rated opening, please consult with a code specialist or local code official (Authority Having Jurisdiction) to ensure compliance with all applicable codes and ratings.



NFPA

All exit devices comply with NFPA 101 Life Safety Code. Fire-rated devices comply with NFPA 80 Fire Doors and Windows.

ADA

Exit devices and lever trims comply with Americans with Disabilities Act.

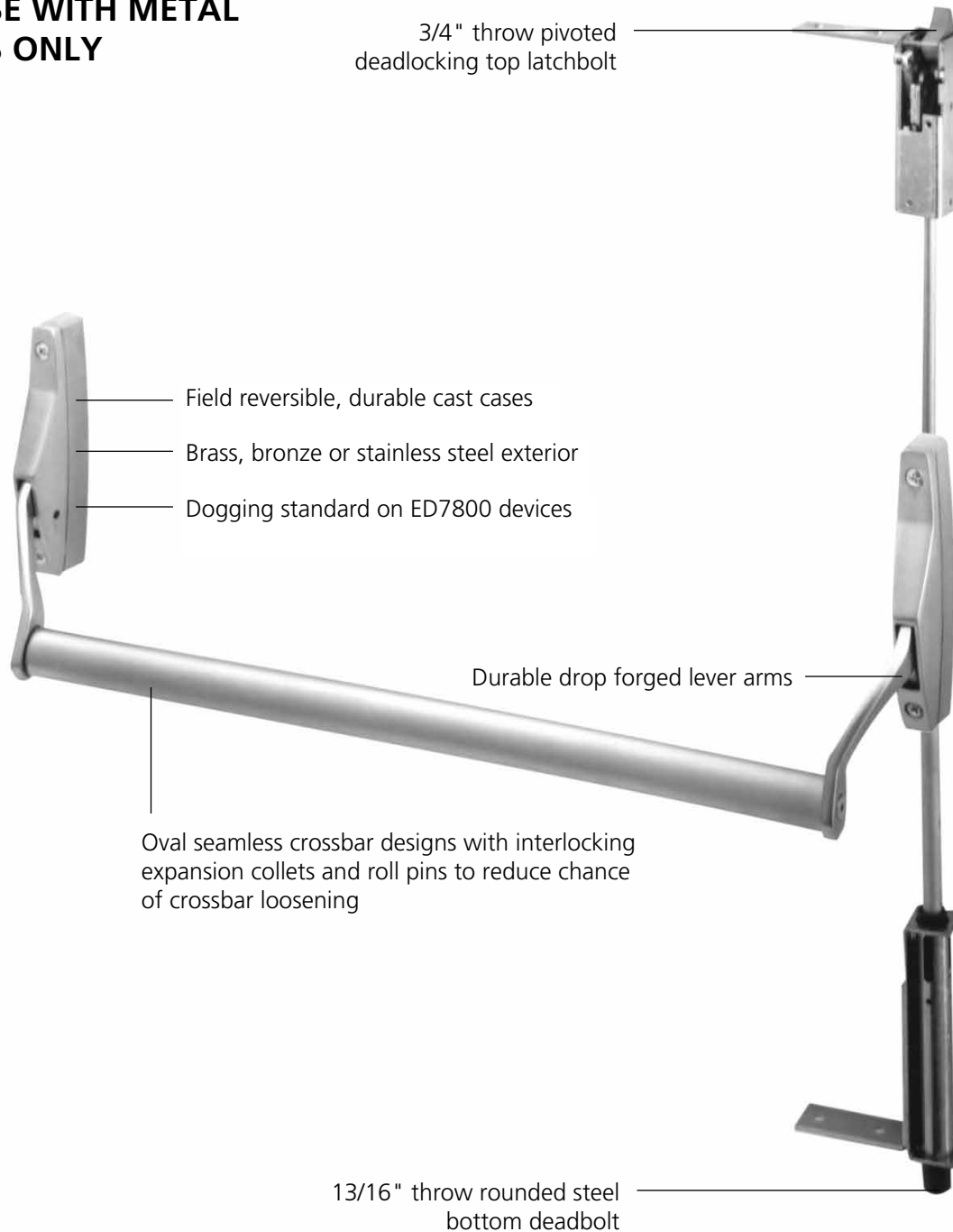
Finishes

BHMA 605	Bright Brass
BHMA 606	Satin Brass
BHMA 611	Bright Bronze
BHMA 612	Satin Bronze
BHMA 613	Oxidized Bronze, oil rubbed, available lacquered
BHMA 618	Bright Nickel Plated
BHMA 619	Satin Nickel Plated
BHMA 625	Bright Chromium Plated
BHMA 626	Satin Chromium Plated
626C	Satin Chrome Plated with MicroShield® 
BHMA 629	Bright Stainless Steel
BHMA 630	Satin Stainless Steel
630C	Satin Stainless Steel with MicroShield® 
BHMA 722	Black oxidized bronze, oil rubbed

Concealed Vertical Rod Exit Features

ED7800


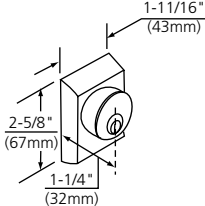
ED7800 and ED7800A Concealed Vertical Rod Exit Devices FOR USE WITH METAL DOORS ONLY



Concealed Vertical Rod Trim and Function

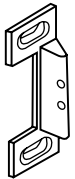
ED7800

Concealed Vertical Rod Exit Device	ANSI Type	Type	ANSI No.	Function Description
ED7800	6	Exit Only	01	<ul style="list-style-type: none"> Exit only; no trim. (Accepts 05 operator trim.)
ED7800A	6	Exit Only	01	<ul style="list-style-type: none"> 3-hour fire-rated exit only; no trim. (Accepts 05 operator trim.)
For Nightlatch function, see Trim Design below.		Nightlatch	09	<ul style="list-style-type: none"> Always rigid. Key removable only when locked.

Operator Trim Design		Trim/Function	
			Nightlatch ANSI No. 09
	<p>Operator 05 Escutcheon: Cast Cylinder: Special Mortise</p>		0557

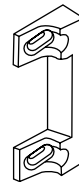
Rim Strikes

(Screws included)



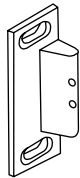
Open Rim Strike

Standard on ED7200 devices, 3-1/4" x 1-3/32" (83mm) x (28mm). Includes nylon anti-friction inserts for quieter operation. To order separately 145F56.



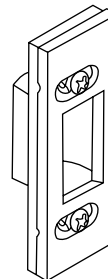
Rim Strike for Aluminum Frame with Blade Stop

Optional on ED7200 devices. Blade strike with wear plate. Includes nylon anti-friction inserts for quieter operation. To order with exit device, specify option S08. To order separately, specify 300F71 strike packet. Packet includes wear plate 213F05-7 and 1/8" (3mm) shim 184F82 for door with 1/2" (12.7mm) stop.



Rim Strike

Optional on ED7200 devices. Includes nylon anti-friction inserts for quieter operation. 3-1/4" x 1-1/16" (83mm) x (27mm), for doors with 5/8" (16mm) or 1/2" (12.7mm) stop. To order with exit device, specify option S07. To order separately, specify 145F55. To order with 1/8" (3mm) shim for door with 1/2" (12.7mm) stop, specify 145F55 x 184F82.

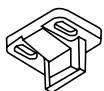


Mortised Adjustable Rim Strike

Optional on ED7200 devices; adjustable to compensate for shrinkage and swelling of door. 3-3/4" (95mm) x 1-9/16" (40mm). To order with exit device, specify option S04. To order separately specify 142F43.

Vertical Rod Strikes

(Screws included)



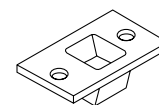
Top Strike

Standard on ED7400 devices. 1-1/2" x 1-3/16" (38mm) x (30mm) with 15/16" (24mm) projection. To order separately, specify 446F21.



Bottom Strike

Standard on ED7400 devices. 2-1/4" x 1" (57mm) x (25mm) with 9/16" (14mm) projection. To order separately, specify packet 446F22.



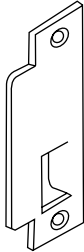
Flush Bottom Strike

Optional on ED7400 devices. To order with exit device, specify option S03. To order separately specify 361F91.

Options and Accessories

ED7000

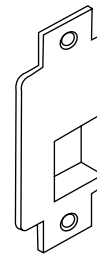
Mortise Strikes



Mortise Strike

Standard on ED7600 and ED7600A devices. Heavy gauge steel, nylon coated; stainless steel standard for stainless steel devices. 4-7/8" x 1-1/4" x 1-1/8" (124mm) x (32mm) x (29mm) lip to center standard; specify other lip lengths from 1-1/4" to 3" (32mm) x (76mm). To order separately, specify Part No.

Description	Hand	Part No.
Heavy gauge steel	LHR	405L13
	RHR	405L14
Stainless steel	LHR	240L50
	RHR	240L51



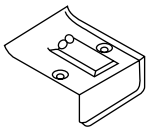
Open Back Strike

(Screws included)
Optional for use with ED7400 x ED7600 devices on pair of doors. To order with exit device, see How to Order, page 24. To order separately, specify Part No. x Door Thickness x Finish.

Hand	Door Thickness	Part No.
LHR	1-3/4", 2", 2-1/4"	411L62
RHR	1-3/4", 2", 2-1/4"	411L63

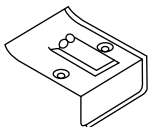
Concealed Vertical Rod Strikes

(Screws included)



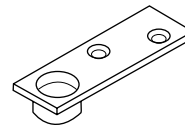
Top Strike

Standard on ED7800 devices. To order separately, specify 503F55.



3-Hour Fire-Rated Top Strike

Standard on ED7800A devices. To order separately, specify 503F56.



Bottom Strike

Standard on ED7800 and ED7800A devices. To order separately, specify; 503F52 for ED7800 devices; 503F53 for ED7800A devices (includes stainless steel screws).

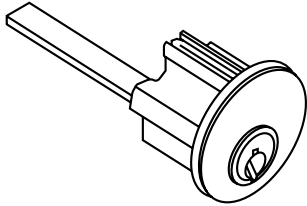
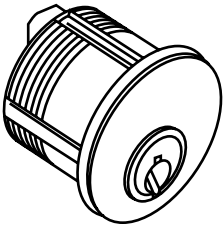
Cylinders

L4 keyway standard; specify other keyways.

Collar not included.

To order with Exit Device, see How to Order, page 23.

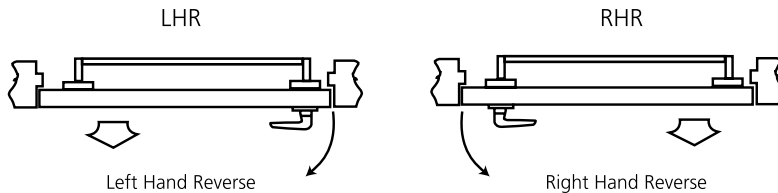
To order separately, specify Part No. x Keyway x Finish (e.g., 3000-200-7 x L4 x 605).

Cylinder Type	Part No.	Description
 <p>Rim</p>	3000-200	6-pin, horizontal tailpiece
	3000-200-7	7-pin, horizontal tailpiece
	3010-200	6-pin, horizontal tailpiece, high security
	3012-178	6-pin, blockout function, high security
	3070-178	6-pin, interchangeable core (IC) less core
	3070-178-7	7-pin, IC less core
	3080-178	6-pin, IC
	3080-178-7	7-pin, IC
	3090-178	6-pin, high security IC
	3020-200	Pyramid High Security fixed core
	3027-200	Pyramid Security fixed core
	3030-178	Pyramid High Security IC
	3037-178	Pyramid Security IC
	 <p>Mortise</p>	1000-118-A02
1000-114-A02-7		7-pin, 1-1/4" straight cam
1010-118-A02		6-pin, 1-1/8" high security straight cam
1012-114-A02		6-pin, 1-1/4" high security with blockout
1070-114-A02		6-pin, 1-1/4" IC less core
1080-114-A02		6-pin, 1-1/4" IC straight cam
1090-114-A02		6-pin, 1-1/4" IC high security straight cam
1000-118-A91		6-pin, 1-1/8" (for 02 and 03 trims only)
1000-114-A91-7		7-pin, 1-1/4" (for 02 and 03 trims only)
1000-138-A01		6-pin, 1-3/8"
1000-138-A01-7		7-pin, 1-3/8"
1010-138-A01		6-pin, 1-3/8" high security
1070-138-A01		6-pin, 1-3/8" IC less core
1080-138-A01		6-pin, 1-3/8" IC
1090-138-A01		6-pin, 1-3/8" IC high security
1000-112-A02		6-pin, 1-1/2" straight cam (for B4M, C4M and E4M trims only)
1000-112-A02-7		7-pin, 1-1/2" straight cam (for B4M, C4M and E4M trims only)
1010-112-A02		6-pin, 1-1/2" high security straight cam (for B4M, C4M and E4M trims only)
1080-112-A02		6-pin, 1-1/2" IC straight cam (for B4M, C4M and E4M trims only)
1080-112-A02-7		7-pin, 1-1/2" IC straight cam (for B4M, C4M and E4M trims only)
1090-112-A02		6-pin, 1-1/2" IC high security straight cam (for B4M, C4M and E4M trims only)
1020-114-A02		Pyramid High Security fixed core
1020-112-A02		Pyramid High Security fixed core
1027-114-A02		Pyramid Security fixed core
1027-112-A02		Pyramid Security fixed core
1030-114-A02		Pyramid High Security IC
1030-138-A02		Pyramid High Security IC
1030-112-A02		Pyramid High Security IC
1037-114-A02		Pyramid Security IC
1037-138-A02		Pyramid Security IC
1037-112-A02		Pyramid Security IC

How to Order

ED7000

Ordering Examples



Rim Exit Device

Quantity	Exit Device	Finish	Finish	Misc. Options
36	ED7200	606	RHR	M51-M54

Removable Mullion

Quantity	Mullion
12	507

Rim Exit Device with Trim

Quantity	Exit Device	Trim/Function	Finish	Hand	Door Thickness	Optional Strike	Door Width	Misc. Options
23	ED7200	P457	630	LHR	D214	S08	W048	M53

Trim Only (For Rim Exit Device)

Quantity	Trim/Function	Finish	Hand
15	P657	630	LHR

Contract/Detailed Order - Rim Exit Device with Trim

Quantity	Keyset	Exit Device	Trim/Function	Finish	Hand	Door Thickness	Door Width	Misc. Options	Optional Cylinder	Keying
32	AA1	ED7200	P557	625	LHR	D200	W048	M54	C6	VKC3

Where to find ordering information and Quick Codes

Trims and Functions	
Rim	Pages 4-7
Vertical Rod	Pages 8-11
Mortise	Pages 12-15
Concealed	
Vertical Rod	Pages 16-18
Removable Mullion	Page 22
Finish	Page 23
Miscellaneous Options	Page 23
Cylinder and Keying	Page 23
Handing	Page 24
Door Thickness	Page 24
Strike	Page 24
Door Width	Page 24
Door Height	Page 24

Cylinder and Keying

Description	Specify
Conventional 6-pin	(standard)
Conventional 7-pin	7P
Pyramid Security fixed core	PS
Pyramid Security IC	PCS
Pyramid High Security fixed core	PHS
Pyramid High Security IC	PCHS
Pyramid IC with temporary construction core	CTP
Pyramid IC less core	CLP
Less cylinder(s)	LC
High security	HS
High security interchangeable core (IC)	CHS
IC 6-pin	C6
IC 6-pin with temporary construction core (Red)	CT6R
IC 6-pin with temporary construction core (Blue)	CT6B
IC 6-pin with temporary construction core (Green)	CT6G
IC 6-pin with temporary construction core	CT6
IC 6-pin less core	CL6
SFIC 6-pin with SFIC disposable temporary core	CT6SD
IC 7-pin (rim only)	C7
IC 7-pin with temporary construction core (Red)	CT7R
IC 7-pin with temporary construction core (Blue)	CT7B
IC 7-pin with temporary construction core (Green)	CT7G
IC 7-pin with temporary construction core	CT7
IC 7-pin less core (rim only)	CL7
SFIC 7-pin with SFIC disposable temporary core	CT7SD
SFIC 6- or 7-pin Small Format Disposable Core	CTSD
Master ring (ED7400 only)	MR
Blockout function	BO
0-bitted with 2 blank keys	(standard)
Keyed random	KR
Construction master keyed	CMK
Visual key control (VKC)	
No keying data stamped on key or cylinder	VKC0
Keys only	VKC1
Cylinders and keys (not for HS or CHS)	VKC2
Cylinders only (not for HS or CHS)	VKC3
Concealed key control (CKC)	
CKC cylinders with VKC keys	CKC2
CKC cylinders only	CKC3
2 keys per lock	(standard)
More than 2 keys	KY# (e.g., KY3)

Finish

Description	Specify
US3 Bright Brass	605
US4 Satin Brass	606
US9 Bright Bronze	611
US10 Satin Bronze	612
US10B Dark Oxidized Satin Bronze, oil rubbed	613
US14 Bright Nickel Plated	618
US15 Satin Nickel Plated	619
US26 Bright Chromium Plated	625
US26D Satin Chromium Plated	626
— Satin Chrome Plated with MicroShield®	626C
US32 Bright Stainless Steel	629
US32D Stain Stainless Steel	630
— Satin Stainless Steel with MicroShield®	630C
— Black oxidized bronze, oil rubbed	722

Miscellaneous Options

Description	Specify
Spanner head screws	M02
ANSI wrought strike box	M17
Knurling outside and inside (trim and device; not available with M50)	M20
Knurling outside only (trim side)	M21
Knurling inside only (device side; not available with M50)	M22
Abrasive coat outside and inside (trim and device)	M23
Abrasive coat inside only (device side)	M24
Abrasive coat outside only (trim side)	M25
Stainless steel crossbar (not available with M20 or M22)	M50
Less dogging	M51
Steel reinforced crossbar	M53
Sex nuts and bolts (SNBs) (Not available with ED7800(A) devices)	M54
Shim for 2-3/4" backset on doors with 1/2" stop (rim devices only)	M59
Less latch hold-back (ED7200 and ED7600 devices only)	M66

How to Order

ED7000

Strikes

Description	Specify
Rim	
Open rim (ED7200 devices)	(standard)
Rim	S07
For aluminum frame with blade stop	S08
Mortised adjustable	S04
Vertical Rod	
Top (ED7400 devices)	(standard)
Surface projecting bottom (ED7400 devices)	(standard)
Flush bottom (ED7400 devices only)	S03
Concealed vertical rod	
Top (ED7800 devices)	(standard)
3-hour fire-rated top (ED7800A devices)	(standard)
Bottom (ED7800 and ED7800A devices)	(standard)
Mortise	
ANSI strike	(standard)
Open back	
1-3/4" door thickness	SB134
2" door thickness	SB200
2-1/4" door thickness	SB214

Door Width

Door Width	Specify
36"	(standard)
48"	W048

Door Height

Door Height	Specify
7'6" (ED7400 devices)	(standard)
7'2" (ED7400A and ED7800A devices)	(standard)
10'0" (ED7400 devices only)	H1000
10'8" (ED7800 devices only)	H1008

Handing

Hand	Specify
Right Hand Reverse	RHR
Left Hand Reverse	LHR

Door Thickness

Door Thickness	Specify
1-3/4"	(standard)
2" (except ED7401 x lever trim and ED7800)	D200
2-1/4" (except ED7401 x lever trim and ED7800)	D214

Abrasive Coat

Hard granular material applied to a knob or lever to provide a non-slip tactile surface for the visually impaired.

Active Door

In a pair of doors, the door that is operable from the trim side.

Astragal

A vertical member applied to one or both sides of a pair of doors at the meeting edges. The astragal closes the gap between the two doors.

Coordinator

A device used on a pair of doors to ensure that the inactive door closes before the active door.

Deadlocking Latch

A supplemental latch that automatically deadlocks the latchbolt when pressure is applied to it.

Dogging

A mechanism that allows the latchbolt to remain retracted, permitting the door to operate as if it were a push-pull. It cannot be used on fire-rated exit devices.

Double Egress

A pair of doors of the same hand that swing in opposite directions, commonly found in corridors.

Dummy Trim

Trim only, without a lock. Usually used on the inactive door of a pair of doors.

Exit Device (Panic Hardware)

A door locking device with a pushbar or crossbar which, when pressed, allows instant exit (egress)

Hand

The direction a door swings.

Inactive Door

In a pair of doors, the door that is inoperable from the trim side.

Latchbolt

A lock component that has a beveled end and projects into a strike, holding a door in a closed position.

Mullion

A fixed or removable vertical member that divides a door opening and provides a latch surface for a pair of rim exit devices.

Narrow Stile Door

Usually a door having a stile of less than 2-3/4" wide, commonly seen on aluminum or glass front applications.

Open Back Strike

For mortise exit devices, used on the inactive door (usually the vertical rod door) of a pair of doors that swing in the same direction. It permits the inactive door to open or close independently.

Reversible

Pertains to a product that may be changed in the field to accommodate any hand of the door.

Shim Kit

Pieces of metal that permit mounting of an exit device on a door that has a surface projecting vision light (glass bead) molding.

Split Astragal

An astragal that is split through the middle on a pair of doors, allowing both doors to operate independently.

Threshold

A strip fastened to the floor beneath a door. It serves as a stop, prevents heat loss, and provides a strike location for latching the bottom rod of a vertical rod exit device.

Trim

A knob, lever, pull, or thumbpiece used on the outside of an exit device door to control access to an area.

Universal Exit Device

An exit device that may be used on doors of either hand without any modifications.

Keying and Cylinder Terms

Blockout Cylinder

A cylinder which allows all keys to be temporarily blocked from operating. It is set by a blockout key.

Concealed Key Control (CKC)

The marking of standard key symbols on a cylinder in a location that is not visible once the cylinder is installed.

Construction Master Keying (CMK)

A cylinder preparation that allows temporary access by construction personnel.

Control Key

A key used to remove and install interchangeable cores.

Cylinder

A lock component containing the combination that determines which keys will operate.

Flex Head Cylinder

A cylinder with built-in adjustment for minor variations in door and trim thickness.

High Security Cylinder

A cylinder which provides extra resistance to picking and unauthorized duplication of keys.

Interchangeable Core (IC)

A cylinder which can be removed and installed quickly with a control key by non-skilled personnel when rekeying is required.

Key Symbol

A letter/number combination in standard industry format (e.g., 1AA, AA1, etc.) which indicates exactly how a key or cylinder fits into a keying system.

Keyway

The opening in a cylinder plug through which the key enters.

Master Keying

Preparation of a cylinder to operate with keys of different levels of access.

Master Ring Cylinder

A cylinder which offers a wider range of keying.

Visual Key Control (VKC)

The marking of standard key symbols on keys and on the visible portion of the front of a cylinder.

How to Specify

ED7000

Suggested Specification

All exit devices shall be ED7000 Series Narrow Stile Crossbar Exit Devices as manufactured by Corbin Russwin Architectural Hardware, Berlin, Connecticut, USA.

The maximum exit device projection shall be 4-7/8", and 3-1/8" when crossbar is depressed. Exit devices shall have matched twin cases mounted with concealed fastening screws, and shall be constructed of brass, bronze or stainless steel. Non-matched twin cases shall not be acceptable. Crossbar lever arms shall be drop forged. Devices shall be field reversible.

Crossbars shall be oval shaped and shall be a minimum of .065" thick. Crossbars shall interlock into the lever arms by expansion collets and interlocking roll pins. Crossbars attached with rivets shall not be acceptable. Reinforced crossbars and stainless steel crossbars shall be available. All exit devices shall be easily field sized to accommodate various door widths.

Panic listed exit devices shall have dogging standard. Dogging screws shall seat into heat-treated pivots for long life and minimum wear. Panic listed devices shall be available less dogging.

All devices shall be listed by Underwriters Laboratories (UL) for safety as panic hardware. Fire-rated devices shall be UL listed for A label and lesser class doors, 4' x 7'2" single and 8' x 7'2" pair.

All exit devices shall have ample allowances for easy alignment.

Trims shall be through-bolted with concealed fasteners. Escutcheon, rose and pull trims shall be constructed of brass, bronze or stainless steel. All lever trims shall use cast levers. Wrought levers shall not be acceptable. Lever trims shall match those on Corbin Russwin Mortise and Cylindrical Locksets.

All devices and trim shall be furnished in architectural finishes and shall match the trims and finishes on corresponding locksets.

Certification:
Federal Specification FF-H-1820
ANSI A156.3 Grade 1

All devices, trims, and cylinders shall be from one manufacturer.

All devices and trims shall carry a one-year limited warranty.



ASSA ABLOY

In U.S.

Corbin Russwin
Architectural Hardware
225 Episcopal Road
Berlin, CT 06037
Phone: 800-543-3658
Fax: 800-447-6714
www.corbinruswin.com

In Canada

ASSA ABLOY Door
Security Solutions Canada
160 Four Valley Drive
Vaughan, Ontario
Canada L4K 4T9
Phone: 800-461-3007
Fax: 1-905-738-2478
www.assaabloy.ca

For more information regarding Corbin Russwin Locksets, Exit Devices, Door Controls and Key Systems, contact your authorized Corbin Russwin Distributor or Sales Representative.



MicroShield®

As part of their promise to provide innovative solutions to their customers, certain ASSA ABLOY Group brands offer the MicroShield® technology, a silver-based antimicrobial coating designed to inhibit the growth of bacteria.

MicroShield® is a registered trademark of Yale Security Inc., an ASSA ABLOY Group company.

Corbin Russwin and Design® is a registered trademark of Corbin Russwin, Inc., an ASSA ABLOY Group company. Other products' brand names may be trademarks or registered trademarks of their respective owners and are mentioned for reference purposes only. These materials are protected under US copyright laws. All contents current at time of publication. Corbin Russwin, Inc., an ASSA ABLOY Group company reserves the right to change availability of any item in this catalog, its design, construction, and/or its materials. Copyright © 2000, 2011 Corbin Russwin, Inc., an ASSA ABLOY Group company. All rights reserved. Reproduction in whole or in part without the express written permission of Corbin Russwin, Inc. is prohibited.

ASSA ABLOY is the global leader in door opening solutions, dedicated to satisfying end-user needs for security, safety and convenience.