

**Corbin  
Russwin** 

**ASSA ABLOY**

# Pyramid<sup>®</sup>

Security and High-Security Cylinder



ASSA ABLOY, the global leader  
in door opening solutions



# Overview

## Pyramid®

### Description

Pyramid, Corbin Russwin's patented cylinder, is the most secure locking system available. Pyramid cylinders are available in both high security and security versions. The high security version is certified by Underwriters Laboratories to UL437 standards.

**Pyramid High Security and Pyramid Security cylinders can be combined on the same master key system and one key can operate both cylinder types!**

### Applications

Especially recommended for installations requiring superior protection against picking, drilling and other surreptitious entry. Ideally suited for Educational and Healthcare facilities, Industrial and Commercial buildings.

### System Administration & Key Control

Key control will be maintained through compliance with Corbin Russwin's Security Policy: for a copy contact Key Systems Administration or visit our web site at [www.corbin-russwin.com](http://www.corbin-russwin.com).

A Pyramid owner's binder will be forwarded directly to the designated systems administrator with each new system. Included in this binder are catalogs as well as system-specific, sequentially coded registration certificates. A registration certificate must accompany each order submitted to Corbin Russwin.

System information and/or systems-related product will be forwarded directly to the owner, unless otherwise indicated by the owner's appointed administrator.

## Table of Contents

Overview .....	2
Applications.....	3
Operation .....	4
Keyways .....	5-7
Cylinder Types .....	8-12
Cores.....	13
Collars .....	14
Quick Codes.....	15
Accessories .....	16

### Product Specification

All cylinders shall employ a patented locking mechanism that requires the use of a patented key and is furnished with a minimum of 7 pins. High Security cylinders shall meet the requirements of UL437. Interchangeable cores shall meet the drill resistance and pick resistance of UL437.

Keys shall be nickel silver and furnished with a large bow.

### Certifications

**BHMA** A156.5 Grade-1

E09211A\* (Mortise)

E09221A\* (Rim)

E09231A\* (Bored Lock Cylinders)

\*A (suffix) refers to cylinders of pick and drill resistance.



**UL Underwriters Laboratories Inc.**

(UL437)BP8976

1020, 2020, 3020 Fixed Core (FC) series only

### Finishes

Pyramid cylinders are available in all Corbin Russwin standard finishes.

### Keying

7 pin with two nickel silver change keys per cylinder. Pyramid cylinders may be uncombined (specify UC)<sup>1</sup>, master or grand master keyed to a specific facility.

### System Specifications

- Pyramid systems are independent and cannot be keyed into existing and/or conventional systems.
- Pyramid cylinders are to be keyed to factory-generated bittings only.
- Cross keying is not available.

Features	Benefits
<ul style="list-style-type: none"> <li>• Utility patent 6,125,674 (expiring 2018)</li> </ul>	<ul style="list-style-type: none"> <li>• The ultimate protection against unauthorized key duplication</li> </ul>
<ul style="list-style-type: none"> <li>• Available with high-security protection (UL437)</li> </ul>	<ul style="list-style-type: none"> <li>• Underwriters Laboratory listing for resistance to picking &amp; drilling</li> </ul>
<ul style="list-style-type: none"> <li>• 7-pin</li> </ul>	<ul style="list-style-type: none"> <li>• Greater master keying capabilities</li> <li>• Uses existing 6-pin interchangeable core housings</li> <li>• 1-1/4" (32mm) length for mortise cylinders</li> </ul>
<ul style="list-style-type: none"> <li>• Available with stainless steel pins</li> </ul>	<ul style="list-style-type: none"> <li>• Drill and pick resistant</li> </ul>
<ul style="list-style-type: none"> <li>• Large key bow</li> </ul>	<ul style="list-style-type: none"> <li>• Easy handling &amp; special stamping options</li> </ul>
<ul style="list-style-type: none"> <li>• Thicker and stronger nickel silver keys</li> </ul>	<ul style="list-style-type: none"> <li>• Ideally suited for high usage &amp; abusive applications</li> </ul>
<ul style="list-style-type: none"> <li>• User friendly</li> </ul>	<ul style="list-style-type: none"> <li>• No expensive dedicated equipment necessary for key cutting</li> </ul>

### Key Discard Policy & Warranty

See page 16.

### Construction Master Keying

Pyramid cylinders are not available construction master keyed. Interchangeable core jobs can be furnished with temporary construction cores. Temporary construction cores will be unrelated to the permanent system's master key. When the permanent cores are installed, the temporary construction cores are returned to Corbin Russwin for credit.

### How to Order Example

1. Mortise lock with temporary construction core  
Qty. - ML2051 - LSA - 626 - RHR - CTP
2. Mortise cylinder with temporary construction core  
Qty. - 1080-114-A01-626-CTP
3. Permanent core ordered separately  
Qty. - AA1 - 8020 - 626

### Pyramid Quick Codes<sup>2</sup>

- PS Pyramid Security Fixed Core  
 PCS Pyramid Security Interchangeable Core  
 PHS Pyramid High Security Fixed Core  
 PCHS Pyramid High Security Interchangeable Core  
 CTP<sup>3</sup> Pyramid with Temporary Construction Core  
 CLP<sup>3</sup> Pyramid Less Core

1. UC cylinders are supplied, less keys, pins, springs and pin covers.  
 2. When cylinders are ordered with locks.  
 3. Pyramid cores to be ordered as a separate line item.

# Operation

## Pyramid®

### Performance Features

#### Shell

- Locking pin mechanism
- Hard metal inserts

#### Key

- Control pin

#### Plug

- Blocking plate
- Hard metal inserts

#### Pins & Springs

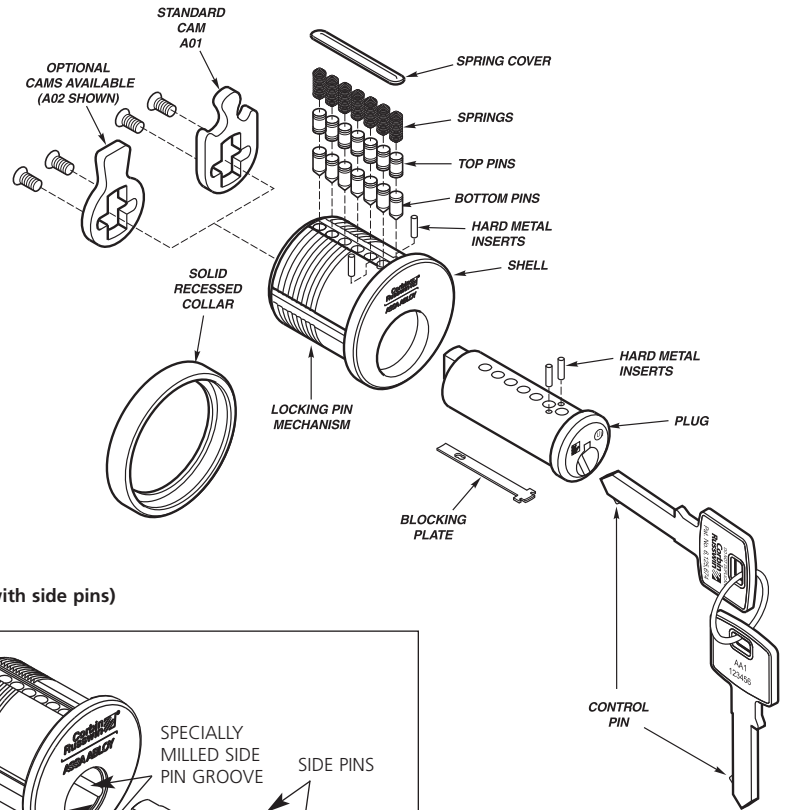
- Hardened stainless steel pick-resistant bottom pins\*
- Hardened stainless steel pick-resistant top pins\*
- Hardened stainless steel pick-resistant master pins (if required)\*
- Hardened stainless steel pick-resistant build-up pins (if interchangeable core)\*
- Springs

#### Collar

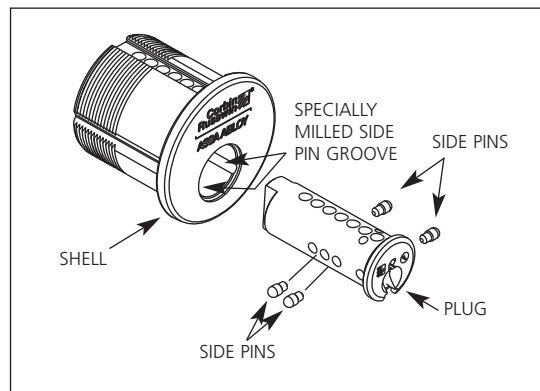
- Solid recessed (mortise)

\* Hardened stainless steel pins used for UL437 High Security versions only. Pyramid Security version uses nickel silver bottom pins and brass master, build-up and top pins.

### Operation



P6 Keyway (with side pins)



**Without Key**

Locking pin mechanism engages blocking plate and prevents the plug from turning.



**With Key**

Key's control pin depresses the locking pin mechanism and allows the plug to turn.

## Keys

- Nickel silver
- Key Bow Type 28
- Ordering example: 7PIN-28-XXXX  
└─ Keyway
- Ordering example P6 Keyway:  
 7PIN-28-XXXX-SPCXX  
└─ Side Pin Code  
└─ Keyway

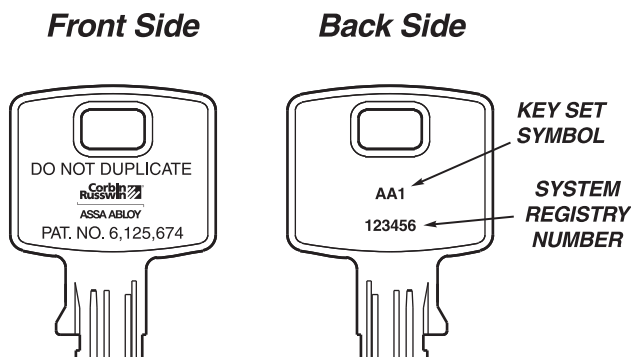
## Back Side Stamping & Options

- Key set (VKC1), standard – unless otherwise indicated
- System registry number will be stamped on upper-level keys unless otherwise indicated
- Concealed key control (CKC2) available on cylinders
- Visual key control (VKC2 and VKC3) not available on cylinders. CKC3 also not available.

Note: Refer to Corbin Russwin's general catalog and price book for complete detailed information.

## Keyway Security

Pyramid keyways will be determined by the supervisor of Key Systems Administration. Assignment will be based on the overall system requirements and geographic location to provide maximum protection to the owner. For security reasons, the keyway profiles are not shown.

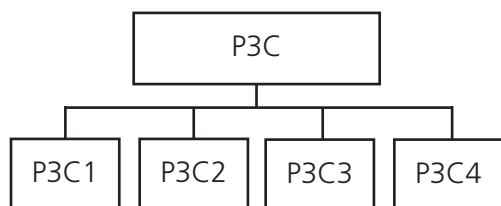


\* Front side stamping will show the Corbin Russwin logo and Pat. Pend. until current inventory is depleted.

## Keyway Groups

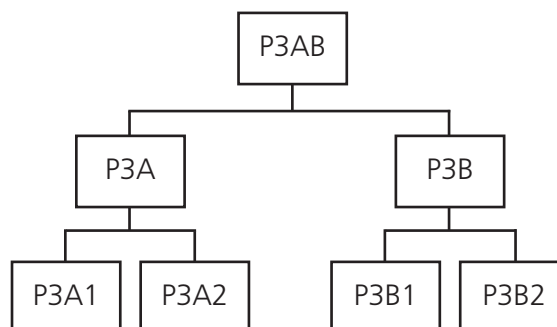
### Keyway Group

Multi-section – P3C  
 Keyway – P3C1 - P3C2 - P3C3 - P3C4



### Keyway Group

All section – P3AB  
 Multi-section – P3A - P3B  
 Keyway – P3A1 - P3A2 - P3B1 - P3B2



# Keyways

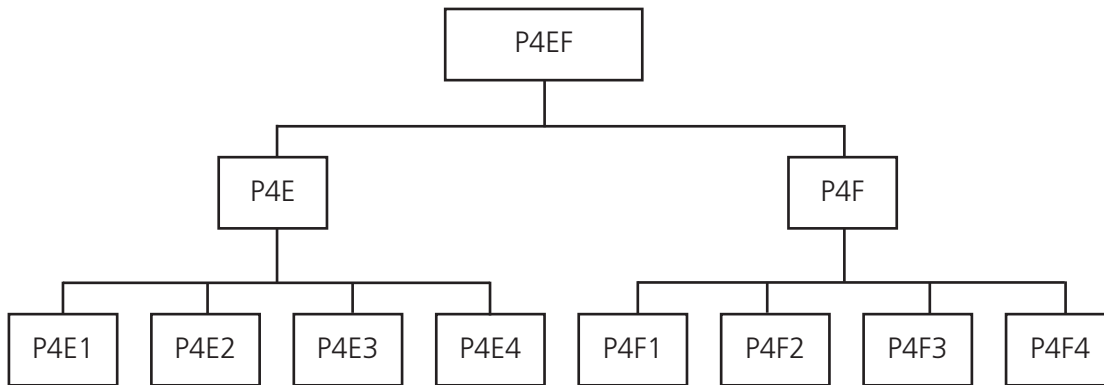
## Pyramid®

### Keyway Group

All section – P4EF

Multi-section – P4E - P4F

Keyway – P4E1 - P4E2 - P4E3 - P4E4 - P4F1 - P4F2 - P4F3 - P4F4



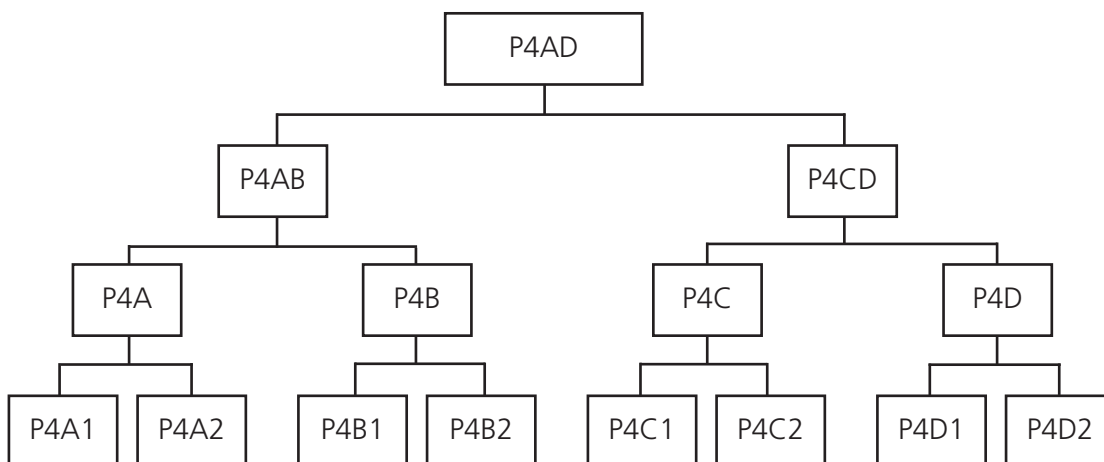
### Keyway Group

All section – P4AD

Multi-section – P4AB - P4CD

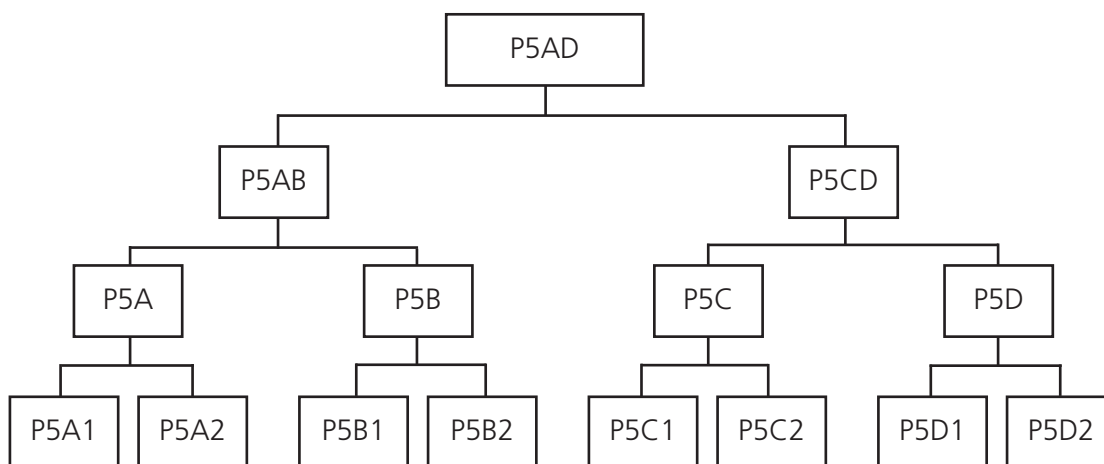
Multi-section – P4A - P4B - P4C - P4D

Keyway – P4A1 - P4A2 - P4B1 - P4B2 - P4C1 - P4C2 - P4D1 - P4D2



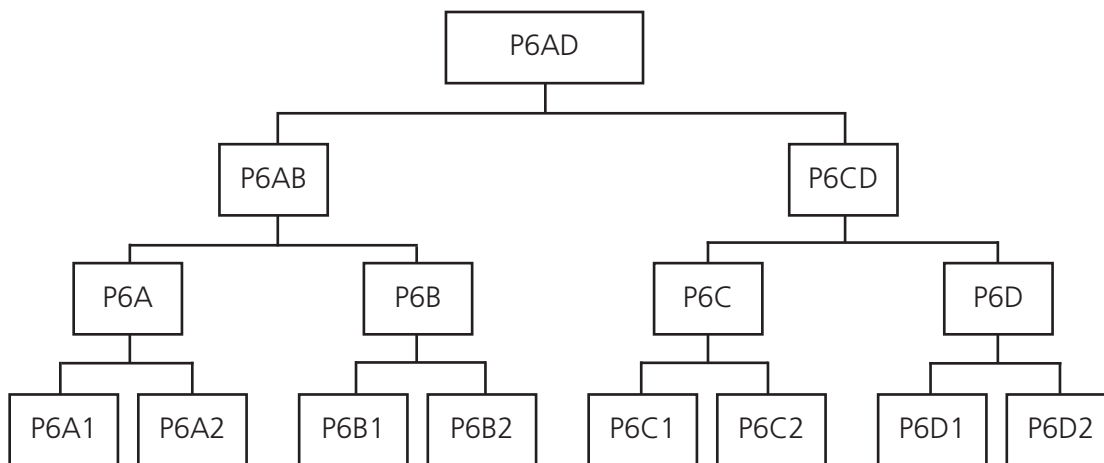
## Keyway Group

All section – P5AD  
 Multi-section – P5AB - P5CD  
 Multi-section – P5A - P5B - P5C - P5D  
 Keyway – P5A1 - P5A2 - P5B1 - P5B2 - P5C1 - P5C2 - P5D1 - P5D2



## P6 Keyway Group\*

All section – P6AD  
 Multi-section – P6AB - P6CD  
 Multi-section – P6A - P6B - P6C - P6D  
 Keyway – P6A1 - P6A2 - P6B1 - P6B2 - P6C1 - P6C2 - P6D1 - P6D2



**\*Note:** Each P6 keyway will have its own unique side pin code locations to be assigned by Key Systems Administration. The side pin code is not available with the other Pyramid keyway families.

# Mortise Cylinder

## Pyramid®

### Mortise Cylinders

#### Mortise Locks/Deadlocks

For use with all Corbin Russwin ML2000, ML2000HS and ML2200 (discontinued) mortise locks. DL4000 & DL3000 Series Deadlocks.



Conventional  
Fixed Core  
(FC)



Interchangeable Core  
(IC)

#### Mortise Exit Devices

For use with ED7600 and ED6600 devices.

Type	Length	Cam	Finish
1020 - High Security Mortise	<b>1020/1027 - Non-IC (Fixed Core)</b> 112 - 1-1/2" (38mm) 114 - 1-1/4" (32mm) *See note #3	A01 - Cloverleaf	605 - Bright Brass
1027 - Security Mortise		A02 - Straight	606 - Satin Brass
1030 - High Security IC Mortise complete	<b>1030/1037/1070 IC</b> 114 - 1-1/4" (32mm) 138 - 1-3/8" (35mm) 112 - 1-1/2" (38mm) 134 - 1-3/4" (44mm)	A03 - Adams Rite® MS	611 - Bright Bronze
1037 - Security IC Mortise complete		A04 - DL4000 Series	612 - Satin Bronze 613 - Dark Oxidized Satin Bronze - oil rubbed
1070 - Housing only		A05 - Adams Rite® 4070	618 - Bright Nickel Plated
		A06 - Schlage® Cloverleaf	619 - Satin Nickel Plated
		A07 - DL4100	622 - Flat Black Coated
	A62 - 900 KRM/MR Straight	625 - Bright Chromium Plated	
	A92 - See note #1	626 - Satin Chromium Plated	
	A93 - See note #2	629 - Bright Stainless Steel	
		630 - Satin Stainless Steel	
		722 - Black oxidized bronze, oil rubbed	

Note #1 - Not available IC.

Note #2 - For obsolete Corbin® 610 and Russwin® 1403 series deadlocks.

Note #3 - For ML2000 applications with door width exceeding 2-1/2" up to 3" in thickness, use IC cylinders.

### How to Order Examples

#### High Security Mortise Cylinder Ordered Separately

Quantity	Keypad	Cylinder	Length	Cam	Finish
50	AA1	1020	114	A01	605

#### Mortise Cylinder with a Pyramid Security Interchangeable Core

Quantity	Keypad	Cylinder	Length	Cam	Finish
50	AA1	1037	114	A01	605

#### Mortise Lock with a Pyramid Fixed Core High Security Cylinder

Quantity	Keypad	Series/Function	Trim	Finish	Hand	Pyramid Quick Code
50	AA1	ML2051	LSA	626	RHR	PHS (PS for Security version)

#### Mortise Lock with a Pyramid Interchangeable Core High Security Cylinder

Quantity	Keypad	Series/Function	Trim	Finish	Hand	Pyramid Quick Code
50	AA1	ML2051	LSA	626	RHR	PCHS (PCS for Security version)

#### Exceptions

Pyramid cylinders are not available for the following: ML2029, ML2029HS, ED7600 - applications over 2-1/4" thick, ED6600 - applications over 1-3/4" thick.



# Rim Cylinder

## Pyramid®

### Rim Cylinders

For use with Corbin Russwin exit devices and exit device trims.



Conventional  
Fixed Core  
(FC)



Interchangeable Core  
(IC)

Type	Length	Availability		Finish
		FC	IC	
3020 - High Security Rim Cylinder	058-5/8" (16mm) Tailpiece	X	X	605 - Bright Brass
	114 - 1-1/4" (32mm) M61 & M62 option for ED8200 and ED9200 exit device alarms		X	606 - Satin Brass 611 - Bright Bronze
	138 - 1-3/8" (35mm) M61 & M62 option for ED8200 and Obsolete ED9200 exit device alarms	X		612 - Satin Bronze 613 - Dark Oxidized Satin Bronze - oil rubbed
3027 - Security Rim Cylinder	178 - 1-7/8" (48mm) (Std. Door)		X	618 - Bright Nickel Plated
3030 - High Security IC Rim Cylinder	178V - 1-7/8" (48mm) vertical		X	619 - Satin Nickel Plated
3037 - Security IC Rim Cylinder	200 - 2" (51mm)	X		622 - Flat Black Coated
	200N - 2" (51mm) ED4000/ED5000 Night Latch Function	X		625 - Bright Chromium Plated 626 - Satin Chromium Plated
3070 - Housing only	200V - 2" (51mm) vertical	X		629 - Bright Stainless Steel
	312 - 3-1/2" (89mm)	X		630 - Satin Stainless Steel
	312V - 3-1/2" (89mm) vertical	X		722 - Black oxidized bronze, oil rubbed
	318 - 3-1/8" (79mm)		X	

### How to Order Examples

#### High Security Rim Cylinder Ordered Separately

Quantity	Keyset	Cylinder	Length	Finish
50	AA1	3020	200	605

#### Rim Cylinder with a Pyramid Security Interchangeable Core

Quantity	Keyset	Cylinder	Length	Finish
50	AA1	3037	178	605

#### Exit Device with a Pyramid Fixed Core High Security Cylinder

Quantity	Keyset	Series/Function	Trim	Finish	Hand	Pyramid Quick Code
50	AA1	ED5200	L955	630	RHR	PHS (PS for Security version)

#### Exit Device with a Pyramid Interchangeable Core High Security Cylinder

Quantity	Keyset	Series/Function	Trim	Finish	Hand	Pyramid Quick Code
50	AA1	ED5200	L955	630	RHR	PCHS (PCS for Security version)

# Component Cylinder

## Pyramid®

### Key-in-Lever / Knob Cylinder

For use with Corbin Russwin CL3300, CL3500, CL3700, and CL3800 lever locks, CK4200 and CK4700 knob locks and UT5200 unit locks. 2020/2027 series cylinders can also be used on CL3400, CL3600, CL3800 and CL3900 (discontinued) locks.



Conventional  
Fixed Core  
(FC)



Interchangeable Core  
(IC)

Type	Lockset Series	Finish
2020 - High Security Key-in-Lever/Knob	033 - CL3300, CL3500, CL3600 (June 2000 and after) and CL3800 Lever	606 - Satin Brass 626 - Satin Chromium Plated
	033H - G10 Exit Device Knob Trim	
	034 - CL3400 Lever - CL3600 Lever (Before June 2000) A5, N5 Obsolete ED8000 Trims	
	037 - CL3700 Lever - CK4700 Knob	
2027 - Security Key-in-Lever/Knob	038 - CL3800 Lever (Manufactured 1993-1997)	
	039 - CL3900 Lever (1-3/8" - 1-3/4" door)	
	039L - CL3900 Lever (2" - 2-1/4" door)	
	051 - G3 Exit Device Knob Trim	
	052 - CK4200 Knob - UT5200 Knob and Lever	

### Key-in-Lever/Knob for other Manufacturers' Products

Cylinder Descriptions		Tailpiece Orientation	Used for:
High Security (PHS)	Security (PS)		
2220-001-P21	2227-001-P21	Vertical	Schlage® D Series Levers Arrow H® Series Knobs and Levers Sargent® 10 line (Enlarge Lever Hole)
2220-002-P21	2227-002-P21	Horizontal	Schlage® D Series Knobs
2220-001-P22	2227-001-P22	Vertical	Schlage® AL and ND Series Levers
2220-002-P22	2227-002-P22	Horizontal	Schlage® A Series Knobs (Ply, etc.)
2220-002-P23	2227-002-P23	Horizontal	Schlage® A Series Knobs (ORB only)

### How to Order Examples

#### High Security Component Cylinder Ordered Separately

Quantity	Keypad	Cylinder	Lockset Series	Finish
50	AA1	2020	033	626

#### Cylindrical Lock with a Pyramid Fixed Core High Security Cylinder

Quantity	Keypad	Series/Function	Trim	Finish	Pyramid Quick Code
50	AA1	CL3357	PZD	626	PHS (PS for Security version)

#### Cylindrical Lock with a Pyramid Interchangeable Core High Security Cylinder

Quantity	Keypad	Series/Function	Trim	Finish	Pyramid Quick Code
50	AA1	CL3357	PZD	626	PCHS (PCS for Security version)

#### Exceptions

Pyramid cylinders are not available for the following: CL3329, CL3629, CK4229, CK4451, CK4455, CK4457, CK4429, CK4482, DL2100 series, DL3100 series.

# Bump Resistant Cylinders

**Pyramid®**

Protect your building from unwanted entry with Corbin Russwin bump-resistant cylinders. Our bump-resistant cylinders deter bumping without compromising the cylinder's structural integrity and strength. This option is available with Corbin Russwin Pyramid patented security and high-security cylinders on our mortise, cylindrical and exit device hardware.

Recently, a lot of information has been circulating about bumping, a technique used to defeat cylinders. Although this method has been around for a number of years, the internet has increased public awareness. Selecting cylinders with the BRP option will make the cylinders bump resistant.

Although BHMA has yet to establish bump-resistance standards, Corbin Russwin Bump Resistant Cylinders were tested and verified by an independent testing lab. They conclusively resisted bumping attack and did not allow entry. Verification and testing data is available upon request.

## Bump-Resistant Cylinders:

- Specify "BRP"

## Retrofit:

- Convert existing cylinders with Bump-Resistant Top Spool Pins

## Features

Bump-resistant cylinders are designed for use with all Corbin Russwin locking hardware:

- Cylindrical locks
- Mortise locks
- Exit devices
- Access control locks
- Unit locks
- Auxiliary locks

Factory bitted, a symbol BRP is stamped onto pin cover/slides. Interchangeable core cylinders are not available with bump-resistant pinning.



*BRP pinned mortise cylinder*



*BRP pinned rim cylinder*



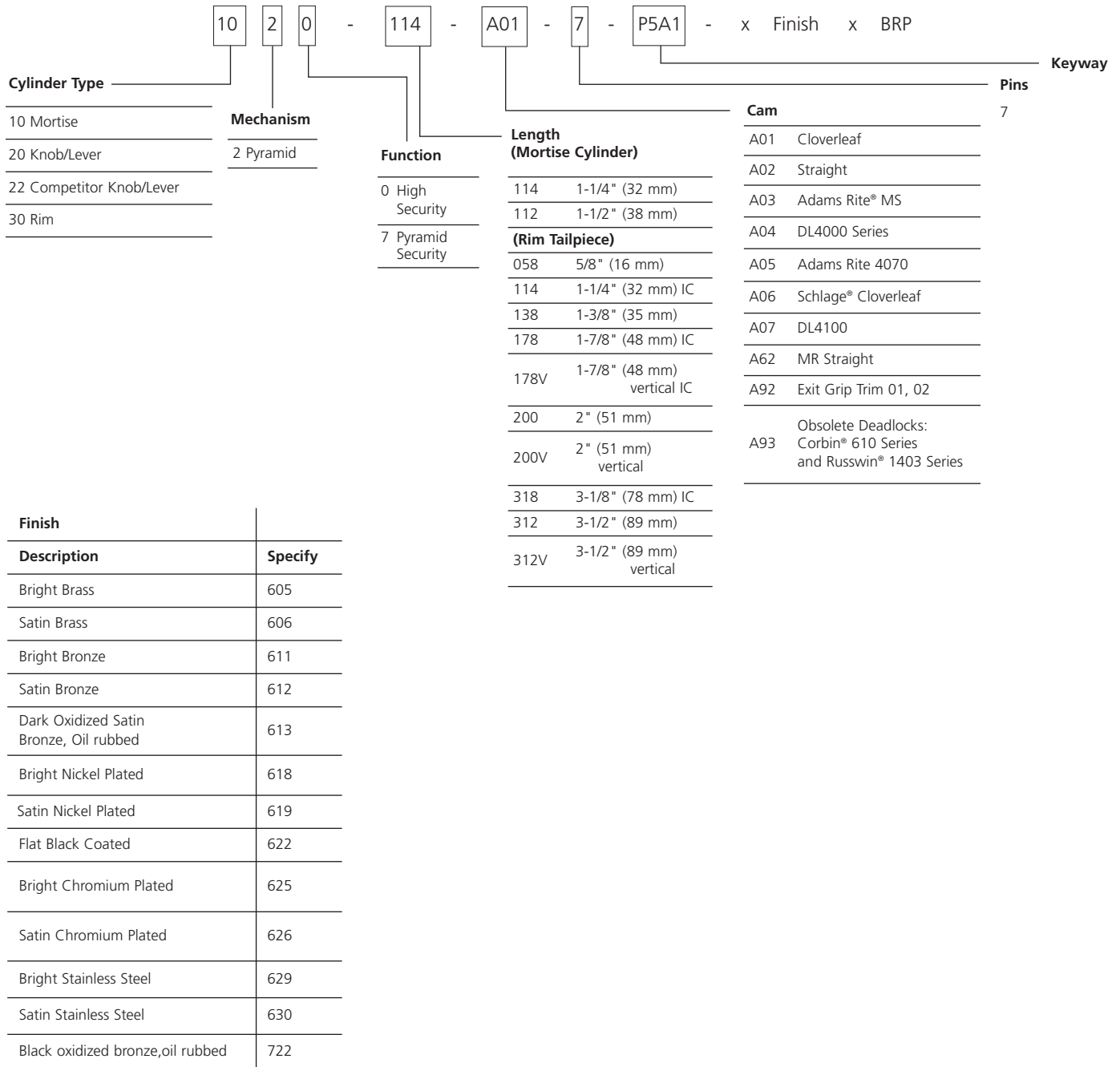
*BRP pinned key-in-lever cylinder*

## Bump-Resistant Top Spool Pins

Description	Part Number	Qty
Pyramid A	628F10 - 7 - 142	Vials of 100 pcs.
Pyramid C	628F10 - 7 - 236	Vials of 100 pcs.

# Bump Resistant Cylinders

## Pyramid®



## Interchangeable Core

For use with Corbin Russwin's 6-pin Interchangeable Core housings & shells.\*



Type	Finish
8020- High Security IC core *	605 - Bright Brass
	606 - Satin Brass
	611 - Bright Bronze
	612 - Satin Bronze
8027- Security IC core *	613 - Dark Oxidized Satin Bronze - oil rubbed
	622 - Flat Black Coated
	625 - Bright Chromium Plated
	626 - Satin Chromium Plated

\* **Note:** Corbin Russwin 6-pin Interchangeable Core housings 1070 (mortise) & 3070 (rim) will accept 8020/8027 cores.

## How to Order Examples

### Security Interchangeable Core Ordered Separately

Quantity	Keypad	Cylinder	Finish
50	AA1	8027	605

## Padlocks

Used with Pyramid Interchangeable Cores.  
(PL5030, PL5130, PL5037, PL5137)

## How to Order Examples

### Padlock with a Pyramid High Security(8020) Interchangeable Core Cylinder

Quantity	Keypad	Series/Function	Shackle Length
50	AA1	PL5030	258

\*Refer to general catalog for miscellaneous options.

### Padlock with a Pyramid Security(8027) Interchangeable Core Cylinder

Quantity	Keypad	Series/Function	Shackle Length*
50	AA1	PL5037	258



## Deadlocks

For use with Pyramid mortise cylinders. See page 8. Available in all standard finishes.

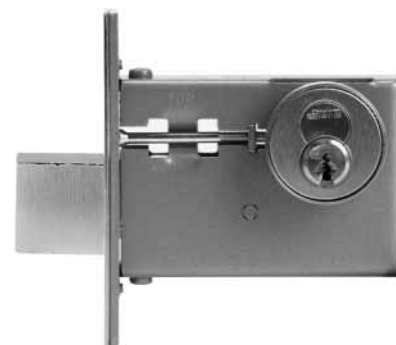
## How to Order Examples

### Deadlock with a Pyramid Fixed Core High Security Cylinder

Quantity	Keypad	Series/Function	Finish	Hand	Pyramid Quick Code
50	AA1	DL4013	626	RHR	PHS (PS for Security version)

### Deadlock with a Pyramid Interchangeable Core High Security Cylinder

Quantity	Keypad	Series/Function	Finish	Pyramid Quick Code
50	AA1	DL4013	626	PCHS (PCS for Security version)



# Collars

## Pyramid®

### Collars

- 1-3/4" (44mm) thick door. For other door thicknesses and trim considerations, contact Corbin Russwin Technical Product Support.
- Mortise Cylinders – 1-1/4" (32mm) length



	Spring	Solid								Surface Mount
	605F43 (.350)	447F41 (.030)	270F15 (.156)	598F89 (.156)	447F42 (.172)	610F02 (.289)	447F43 (.375)	654F07 (.350)	267F97 (.635)	422F88 (.000)
<b>Mortise Cylinder</b>										
High Security Separately (1020, 1030)						X				
Security Separately (1027, 1037)	X									
<b>Mortise Lock</b>										
<b>Single Cylinder</b>										
Sectional						X				
N Escutcheon				X						
P Escutcheon				X						
M Escutcheon				X						
R Escutcheon		X								
T Escutcheon (no collar required)										
<b>Double Cylinder</b>										
Sectional							X			
N Escutcheon						X				
P Escutcheon						X				
M Escutcheon						X				
R Escutcheon					X					
T Escutcheon					X					
<b>Auxiliary Locks</b>										
DL4011, 4013, 4017					X					
DL4012							X			
<b>Rim Cylinder</b>										
High Security Separately (3020, 3030)										X
Security Separately (3027, 3037)										X
<b>Exit Devices</b>										
<b>ED4000-5000 Series</b>										
700 Trim, F2, F3, T13, P9								X		
K1			X							
700M Trim, F2M, F3M, T13M						X				
900 Trim										X
Cylinder Dogging			X							
<b>ED6000 Series</b>										
N3, G4, T3			X							
N4M, G5M										X
T7M, T9M				X						
<b>ED7000 Series</b>										
P4, P6, P7		X								
C4, O3, O5									X	
T11			X							
<b>ED8000 Series</b>										
KO										X
F1, P1, P2 (no collar required)										

### Cylinder Options

Description	Quick Code
Bump-resistant cylinders	BRP

### Keying Options

Description	Quick Code
0-bitted with 2 blank keys	(standard)
Keyed random	KR
Keyed alike	KA
Keyed to specific bitting (specify bitting)	KS
Uncombined	UC
Visual key control (VKC)	
No Stamping	VKC0
Keys only	VKC1
Concealed key control (CKC)	
CKC cylinders with VKC keys	CKC2

### Key Quantity Options

2 change keys per cylinder	(standard)
Other than 2 change keys per cylinder (i.e. customer requests 6 change keys per cylinder)	KY# (i.e., KY6)
No change keys	KY0
Master keys (if required)	Specify Qty.
Control keys (if required)	Specify Qty.
CMK keys (if required)	Specify Qty.
CMK control keys (if required)	Specify Qty.
SKD control keys (if required)	Specify Qty.
Special purpose keys, i.e., ENG (if required)	Specify Qty.

### Collar Options - Mortise and Rim Cylinders Only

Description	Quick Code
Collar packet (549F52 + 253F97)	428F66
Rim collar, flush mount	255F53
Rim collar, flush mount (master ring)	255F54
Rim collar, surface mount (standard for rim cylinders)	422F88
Solid collar - .030	447F41
Solid collar - .031 (master ring)	447F44
Solid collar - .090 (VR trim only)	700F53
Solid collar - .094	261F54
Solid collar - .094 (master ring)	261F55
Solid collar - .156	270F15
Solid collar - .156	598F89
Solid collar - .172 (tapered security collar)	416F39
Solid collar - .172	447F42
Solid collar - .172 (master ring- standard for MR 118 cylinders)	447F45
Solid collar - .221	610F01
Solid collar - .289	610F02
Solid collar - .312	303F25
Solid collar - .350	654F07
Solid collar - .375	447F43
Solid collar - .375 (master ring)	447F46
Solid collar - .500	609F36
Solid collar - .510	134F05
Solid collar - .550	654F08
Solid collar - .635	267F97
Solid collar - .650	609F37
Solid collar - .749	399F47
Solid collar - .850	609F38
Spring collar - .150 (standard for 118 cylinders)	253F97
Spring collar - .219	549F52
Spring collar - .350 (standard for 114 cylinders)	605F43

# Accessories

## Pyramid®

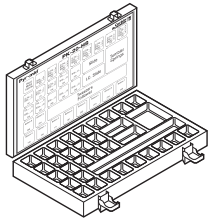
### Pin Kit and Service Tools

Each pin kit has all the pins necessary to combine standard and interchangeable core Pyramid cylinders. Includes tweezers, plug follower, key gauge and combining instructions.

#### How to Order

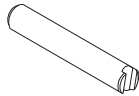
High Security Pin Kit  
PK-20-HS

Security Pin Kit  
PK-20-PS



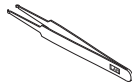
#### Follower

How to Order Separately  
CT20



#### Tweezers

How to Order Separately  
CT19



#### Key Gauge

How to Order Separately  
CT20K

### Pyramid Bump Resistant Pins

#### How to Order Separately

Vials of 100 Pins  
Size A = 628F107142  
Size C = 628F107236

### Pyramid P6 Side Pins

#### How to Order Separately

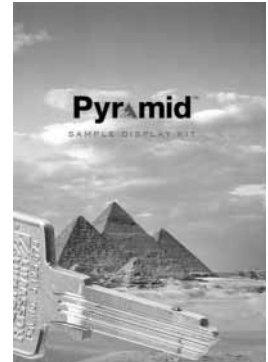
Vial of 20 Pins  
630F494

### Pyramid Sample Display Case

Contains sample Master Keyed Cylinders and information material.

#### How to Order

PS-20-DC



### Registration Certificates

For each Pyramid system established the designated owner's representative will receive a Pyramid Owner's binder containing registration certificates specific to their system. Registration certificates will contain the facility registration number along with the facility name and location and must be signed by an authorized representative for the facility. Each order submitted for Pyramid product must be accompanied by a registration certificate. Additional certificates will be obtainable through Key Systems Administration.

	Facility Registration	System Registry + Zip Code + Certificate Number
Facility Name _____		
Address #1 _____		
Address #2 _____		
City _____		State _____ Zip _____
Authorized Representative _____		
_____ Print		
Distributor _____		PO# _____

### Pyramid Key Discard Policy

U.S. Utility Patent number 6,125,674 protects Pyramid keys from unauthorized duplication until the year 2018.

It is essential that cut keys and key blank distribution policies and procedures be maintained and enforced for all Pyramid products.

### Authorized Pyramid Distributors

Pyramid is a system-based product. An authorized distributor can stock Pyramid upon specific written authorization from the primary systems administrator of the facility. Authorized distributors have the ability to receive product, key product, cut keys and distribute the product to the facility.

Authorized Pyramid distributors who carry inventory for a specific system must provide valid receipts and disbursements of all Pyramid products, specifically key blanks/cut keys. All Pyramid key blanks to be maintained in the possession of an authorized Pyramid distributor must be accounted for. Any defective, incorrectly cut or damaged Pyramid key blanks must be retained in the distributor's possession to be reviewed and collected by a representative of ASSA ABLOY Door Security Solutions.

### Pyramid Primary System Administrators

Any defective, incorrectly cut or damaged Pyramid key blank must be destroyed.

### Pyramid Key Warranty

Pyramid key blanks are covered by a 5-year warranty as outlined in the current list price book.





# Notes

# Pyramid<sup>®</sup>





**ASSA ABLOY**

**In U.S.**

Corbin Russwin  
Architectural Hardware  
225 Episcopal Road  
Berlin, CT 06037  
Phone: 800-543-3658  
Fax: 800-447-6714  
[corbinrusswin.com](http://corbinrusswin.com)

**In Canada**

ASSA ABLOY Door  
Security Solutions Canada  
160 Four Valley Drive  
Vaughan, Ontario  
Canada L4K 4T9  
Phone: 800-461-3007  
Fax: 905-738-2478  
[www.assaabloy.ca](http://www.assaabloy.ca)

For more information regarding Corbin Russwin Locksets, Exit Devices, Door Controls and Key Systems, contact your authorized Corbin Russwin Distributor or Sales Representative.

Corbin Russwin and Design®, Corbin® and Russwin®, Pyramid and Design® are registered trademarks of Corbin Russwin, Inc, an ASSA ABLOY Group company. Other products' brand names may be trademarks or registered trademarks of their respective owners and are mentioned for reference purposes only. These materials are protected under US copyright laws. All contents current at time of publication. Corbin Russwin, Inc., an ASSA ABLOY Group company reserves the right to change availability of any item in this catalog, its design, construction, and/or its materials. Copyright © 2001, 2009 Corbin Russwin, Inc., an ASSA ABLOY Group company. All rights reserved. Reproduction in whole or in part without the express written permission of Corbin Russwin, Inc. is prohibited.

ASSA ABLOY is the global leader in door opening solutions, dedicated to satisfying end-user needs for security, safety and convenience.