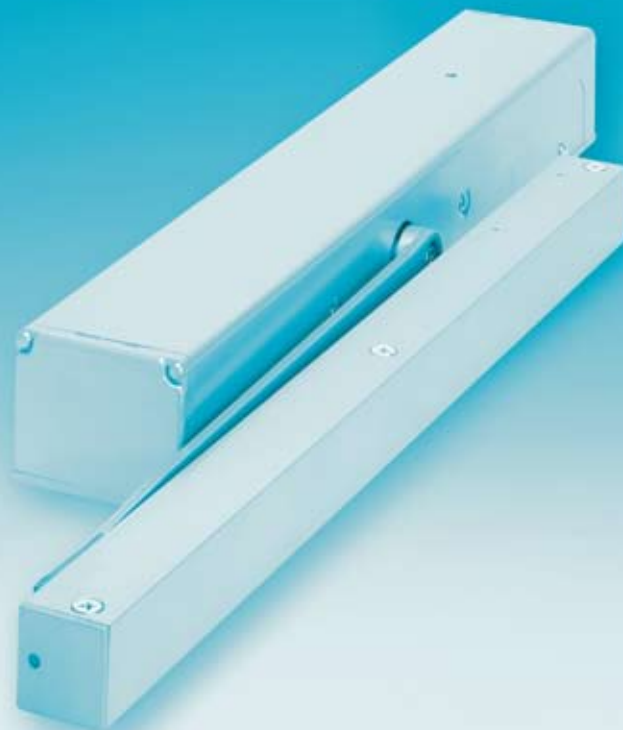


Electrified Closer/Holder

RIXSON[®]
ASSA ABLOY

Fire/Life-Safety Products
to Protect People
and Property



ASSA ABLOY, the global leader in door opening solutions

Introduction

Rixson® was the first architectural hardware company to have fire/life-safety closers and holders. It remains an industry leader with several distinctly different holding devices. The Smok-Chek® V Series, the Smok-Chek® VI and the Checkmate® 99 serve many purposes. The models come as detected with a built in smoke detector or non-detected models which would be connected only to the alarm system. BE ADVISED THAT THESE PRODUCTS ARE NOT DESIGNED TO BE MANUALLY PULLED OUT OF HOLD OPEN. If continual cycling is necessary use a separate switch to release.

Smok-Chek® V

Electromechanical action

- Single-point hold open
- More durable than electrohydraulic units
- To hold open at 90° door must open to 93°
- Best suited for cross corridor doors

Smok-Chek® VI

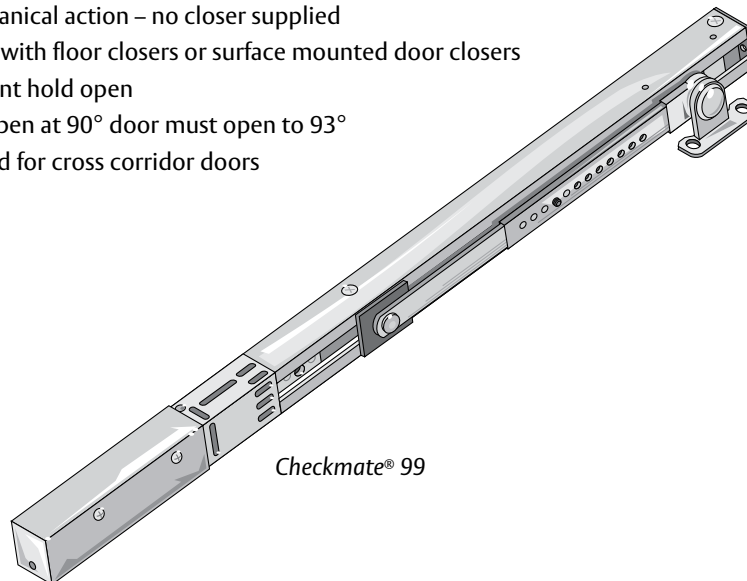
Electrohydraulic action

- Single point units must open 15° past desired hold open position for single-point hold open
- Multi-point units will hold open wherever they are stopped, cam must be adjusted in the field
- Free-Swing arm option – use with multipoint units
 - Door acts as if there is no closer attached until the power is cut and the arm piece brings the door closed
- Best suited for patient room doors using free swing arm option

Checkmate® 99

Electromechanical action – no closer supplied

- For doors with floor closers or surface mounted door closers
- Single point hold open
- To hold open at 90° door must open to 93°
- Best suited for cross corridor doors



Checkmate® 99

Contents	Page
Electrified Closers/Holder: General Information	214
Options	216
Certifications	216
Limited Warranty	216
Specifications	216
S Mok-CHEK® V	
0600 Non-Detected Pull Side Mounting.....	217
0601 Non-Detected Push Side Mounting.....	217
0602 Non-Detected Holder on Pull Side/Closer on Push Side	218
0100 Non-Detected Pull Side Mounting Holder Only.....	218
0101 Non-Detected Push Side Mounting Holder Only.....	219
How to Order	220
S MOKE-CHEK® VI	
4 PULL Non-Detected Pull Side Mounting.....	221
6 PULL Detected Pull Side Mounting.....	221
4 PUSH Non-Detected Push Side Mounting	221
6 PUSH Detected Push Side Mounting	221
How to Order	222
Checkmate® 99	
99-726 Non-Detected Push Side Mounting.....	223
99-626 Detected Push Side Mounting.....	223
99-926 Non-Detected Pull Side Mounting.....	223
99-826 Detected Pull Side Mounting.....	223
How to Order	224
Parts Drawings	225-230

Electrified Closer/Holder Options, Certifications Limited Warranty, Specifications

Options

Smok-Chek® V

550789 Arm – suffix 550789

For Smok-Chek® V push side units only. This option should be used on double egress with reveals from 3-1/2" to 5-1/2". Should also be used on push side mount where doors need to swing to 180°. Non-detected units only.

Smok-Chek® VI

Detected products

They have an integral smoke detector. They can be stand alone or used to activate other non-detected models.

Non-detected

These are connected to the alarm system or to a detected unit at the same opening.

Free Swing Arm – prefix FS

For Smok-Chek® VI pull side units only. This option essentially disengages the arm from the closing mechanism to make the door swing freely. It is normally used on patient room doors in hospitals. When alarm cuts the power a mechanism on the closer spindle pushes the arm and closes the door.

Double Egress Arm – prefix DE

For Smok-Chek® VI pull side units only. This option can accommodate double egress reveals up to 3".

Infinite Hold Open – Field Adjusted

For Smok-Chek® VI units only. This multi-point hold open should be used only with the FS arm option.


Selective Hold Open – Field Adjusted

For Smok-Chek® VI units only. This selective hold open is single point and is set in the field. Doors must be able to swing 15° beyond desired hold open point. All products are shipped with this feature.

Checkmate 99

May be detected.

Certifications

All units are UL listed 

All Rixson® electrified closer/holders are in compliance with ANSI/BHMA 156.8 and A156.15 Standards. See individual products for sub sections.



Limited Warranty

Rixson Electrified Closer/Holder are warranted for 2 years for defect. See Rixson price book for specific details of the limited warranty.

Specifications

Closer/Holder shall be Smok-Chek® V series. They should be electromechanical type. All holders shall open and hold up to 180°. Units shall have holder on the frame and closer on the door. Product with fall-off will not be acceptable.

Closer/Holder shall be Smok-Chek® VI series. They should be electrohydraulic type. Units should have integral smoke detector, where applicable. All models shall have the ability to be set to multiple point hold open in the field. This product should have free swing option.

Whenever floor closers are specified and an electromechanical hold open is needed, the product should be Checkmate® 99. This separate holder will allow the doors to swing to 110°, depending on the type of closer being used. Units should have integral smoke detector, where applicable.

0600 Pull Side Mounting

Application

Cross corridor doors – swinging in the same direction

Non-handed

Maximum door weight 250 lbs.

Doors up to 4'0"

ANSI C00191

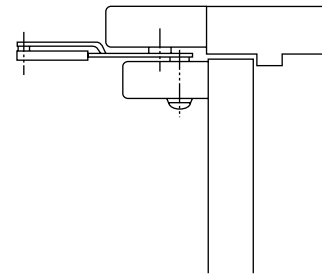


Product Description & Features

- Pull side mount
- Hold open range 85° - 145°
- Mounts on 2" header
- Adjustable spring surface closer
- Maximum reveal 1/8"
- Concealed switch disconnects hold open
- Sprayed finishes

Technical Information

- 24VAC/DC 80ma
- 120VAC 17ma



0601 Push Side Mounting

Application

Cross corridor doors – Double egress – doors swinging in opposite directions

Non-handed

Maximum door weight 250 lbs.

Doors up to 4'0"

ANSI C00231

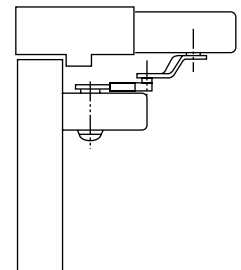


Product Description & features

- Push side mount
- Hold open range 85° - 135°
- Doors may swing and hold at 180° by using special arm 550789
- Mounts on 2" header
- Adjusted spring surface closer
- Maximum reveal 3-1/2"
- For reveals 3-1/2" - 5-1/25" use special arm 550789
- Concealed switch disconnects hold open
- Sprayed finishes

Technical Information

- 24VAC/DC 80ma
- 120VAC 17ma



0602 Holder Pull Side Mounting/Closer Push Side Mounting

Application

Cross corridor doors – swinging in the same direction

Non-handed

Maximum door weight 250 lbs.

Doors up to 40"

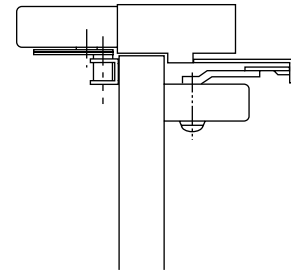
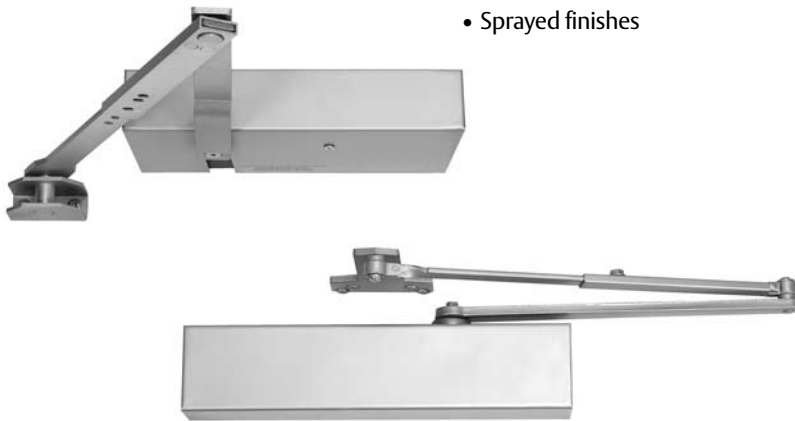
ANSI C00471

Product Description & Features

- Pull side mount for holder
- Push side mount for closer
- Hold open range 85° - 180°
- Mounts on 2" header
- Adjustable spring surface closer
- Maximum reveal 1/8"
- Concealed switch disconnects hold open
- Sprayed finishes

Technical Information

- 24VAC/DC 80ma
- 120VAC 17ma



0100 Holder Pull Side Mounting – No Closer

Application

Cross corridor doors – can be used with floor closers

Non-handed

Maximum door weight 250 lbs.

Doors up to 40"

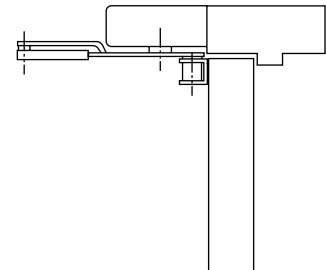
ANSI C00511

Product Description & Features

- Pull side mount for holder
- No closer supplied
- Hold open range 85° - 180°
- Mounts on 2" header
- Maximum reveal 1/8"
- Sprayed finishes

Technical Information

- 24VAC/DC 80ma
- 120VAC 17ma



0101 Holder Push Side Mounting – No Closer

Application

Cross corridor doors – Double egress –
doors swinging in opposite directions

Non-handed

Maximum door weight 250 lbs.

Doors up to 4'0"

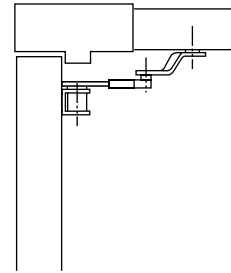
ANSI C00471

Product Description & Features

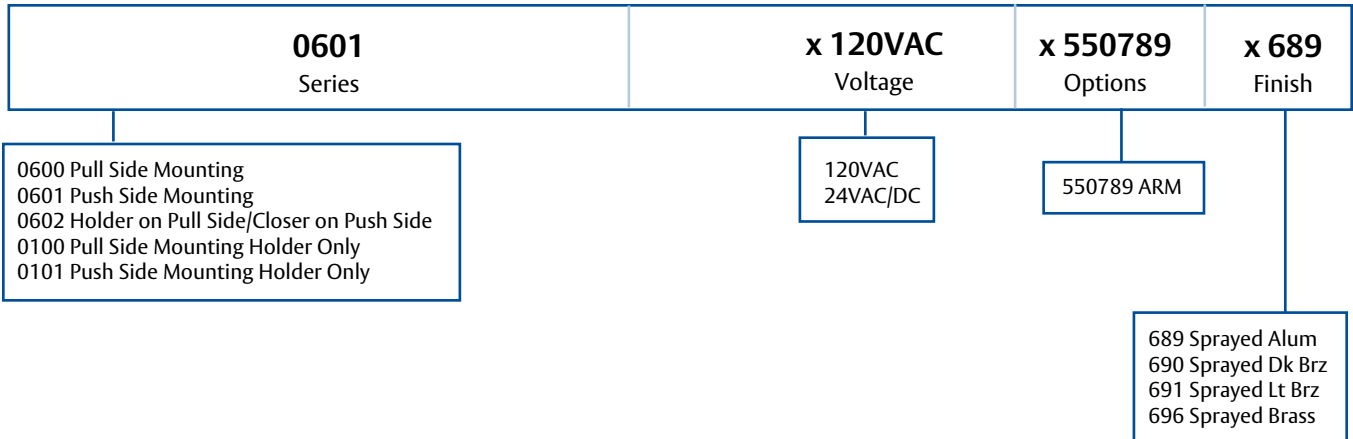
- Push side mount for holder
- No closer supplied
- Hold open range 85° - 135°
- Mounts on 2" header
- Maximum reveal 3-1/2"
- For reveals 3-1/2" - 5-1/2" use special arm 550789
- Sprayed finishes

Technical Information

- 24VAC/DC 80ma
- 120VAC 17ma



How To Order



4 PULL Non-Detected Pull Side Mounting 6 PULL Detected Pull Side Mounting

Application

Patient room doors
Maximum door weight 250 lbs.
Handed
Door width 2'4" - 4'0"
ANSI C00351 or C00361/C00381
Freeswing C00311 or C00321



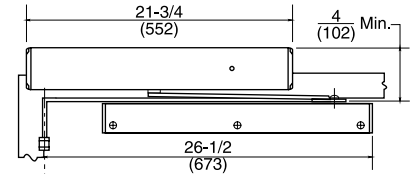
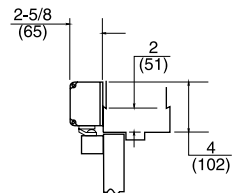
Product Description & Features

- Pull side mounted
- Free swing arm available (*prefix "FS"*) order closer infinite hold open
- Maximum door opening 175°
Maximum hold open 165°
- Double egress arm available for reveals deeper than 1/8" up to 3" (*prefix "DE"*). Maximum opening 110°
- **Selective Hold Open** (Standard) – single point hold open preset at factory (80°-165°)
- Can be used with smoke detectors or as a slave unit to the 6PUSH
- 2" clearance required above 2" frame
- Sex bolts included standard
- When used in conjunction with 6PULL, 120VAC or 24VDC, the 4 unit must be ordered as 24VDC

- 120VAC input is stepped down to 24VDC solenoid
- Sprayed finishes

Technical Information

- Non-detected 24VDC 70ma
- When ordered with detected unit, must be ordered 24VDC
- Detected 24VDC 16ma standby, 35ma alarm



4 PUSH Non-Detected Push Side Mounting 6 PUSH Detected Push Side Mounting

Application

Patient room doors or stairwell
Maximum door weight 250 lbs.
Handed
Door width 2'4" - 4'0"
ANSI C00311 or C00321
Freeswing C00311 or C00321



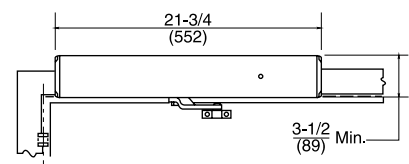
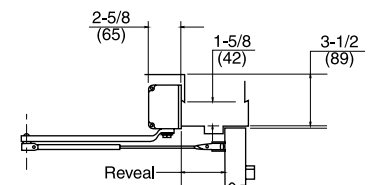
Product Description & Features

- Push side (stop) mounted
- Maximum door opening 180°
Maximum hold open 165°
- **Selective Hold Open** (Standard) – single point hold open preset at factory (85°-165°)
- Can be used with smoke detectors or as a slave unit to the 6PUSH
- When used in conjunction with 6PUSH, 120VAC or 24VAC/DC, the 4 unit must be ordered as 24VAC/DC
- 120VAC input is stepped down to 24VDC solenoid

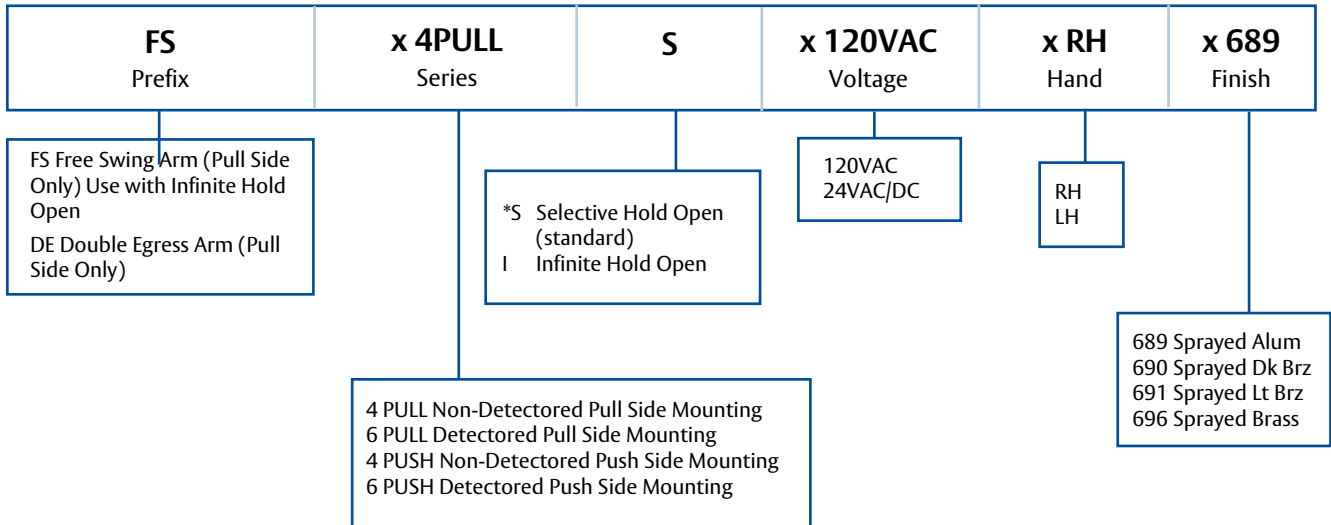
- Sprayed finishes

Technical Information

- Non-detected 24VDC 70ma
- When ordered with detected unit, must be ordered 24VDC
- Detected 24VDC 16ma standby, 35ma alarm



How To Order



**All models ship from the factory as selective hold open.
Infinity hold open must be called out on order.*

99-726 Non-Detected Push Side Mount 99-626 Detected Push Side Mount

Application

Used with independent closers

Non-handed

For doors 2'8" to 4'0" (non-detected)

3'0" to 4'0" (detected)

ANSI C00511 or C00521

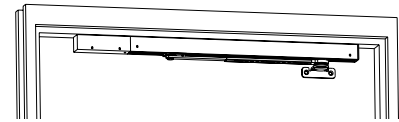


Product Description & Features

- Surface mounted
- Single acting
- Sprayed finishes
- 85° - 110° hold open
- Push side
- Detected or non-detected
- Surface or concealed wiring
- Holding force 25-35 lbs.
- When used in conjunction with detected model, unit must be 24VDC

Technical Information

- Non-detected 120VAC 18ma, 24VDC 90ma
- Detected 24VDC 16ma stand by, 35ma alarm



99-926 Non-Detected Pull Side Mount 99-826 Detected Pull Side Mount

Application

Used with independent closers

Non-handed

For doors 2'8" to 4'0" (non-detected)

3'0" to 4'0" (detected)

ANSI C00471 or C00481

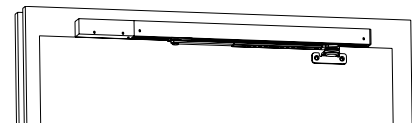


Product Description & Features

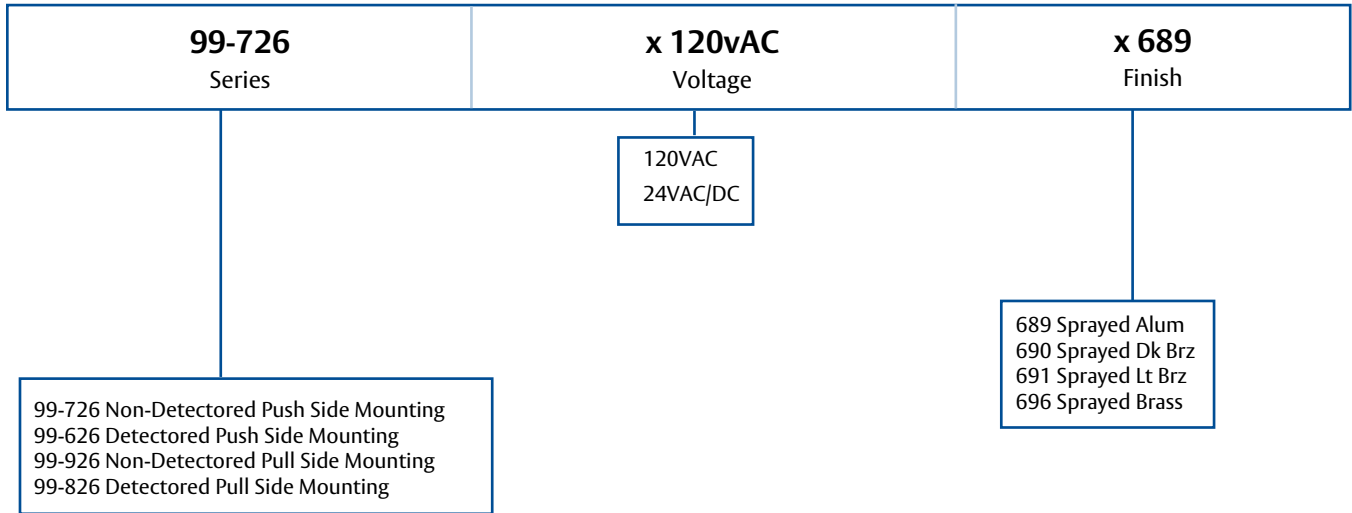
- Surface mounted
- Single acting
- Sprayed finishes
- 85° - 110° hold open
- Pull side
- Detected or non-detected
- Surface or concealed wiring
- Holding force 25-35 lbs.
- When used in conjunction with detected model, unit must be 24VDC

Technical Information

- Non-detected 120VAC 18ma, 24VDC 90ma
- Detected 24VDC 16ma stand by, 35ma alarm
- 24VDC 105ma stand by, 125ma alarm

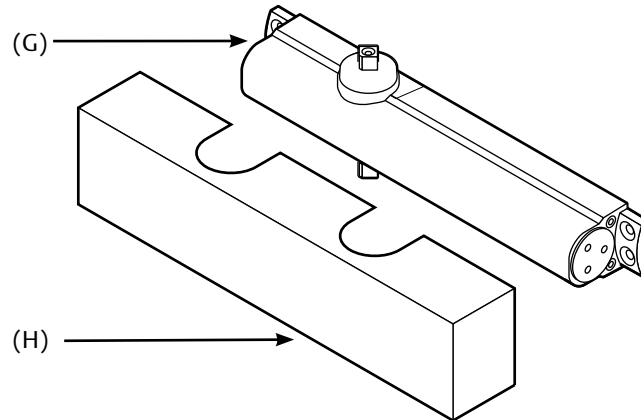
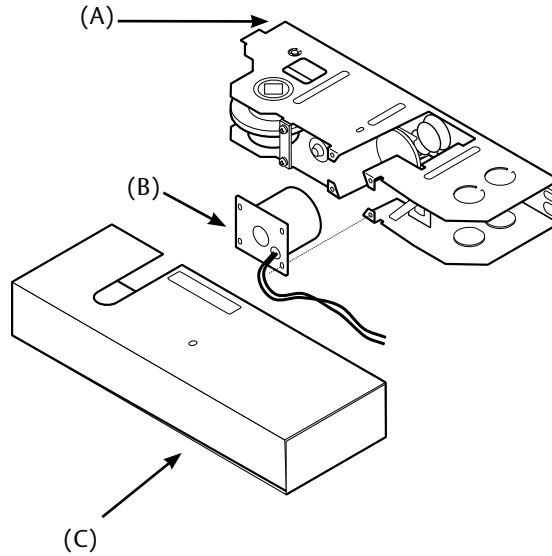


How to Order



SMOK-CHEK® V

(A)	Holder Assembly 550100 120VAC 550101 24VAC/DC
(B)	Magnet 930105 120VAC 930106 24VAC/DC
(C)	Holder Cover 550106- (non-detected)
(G)	Closer Body 85010163-*
(H)	Closer Cover 233069K*



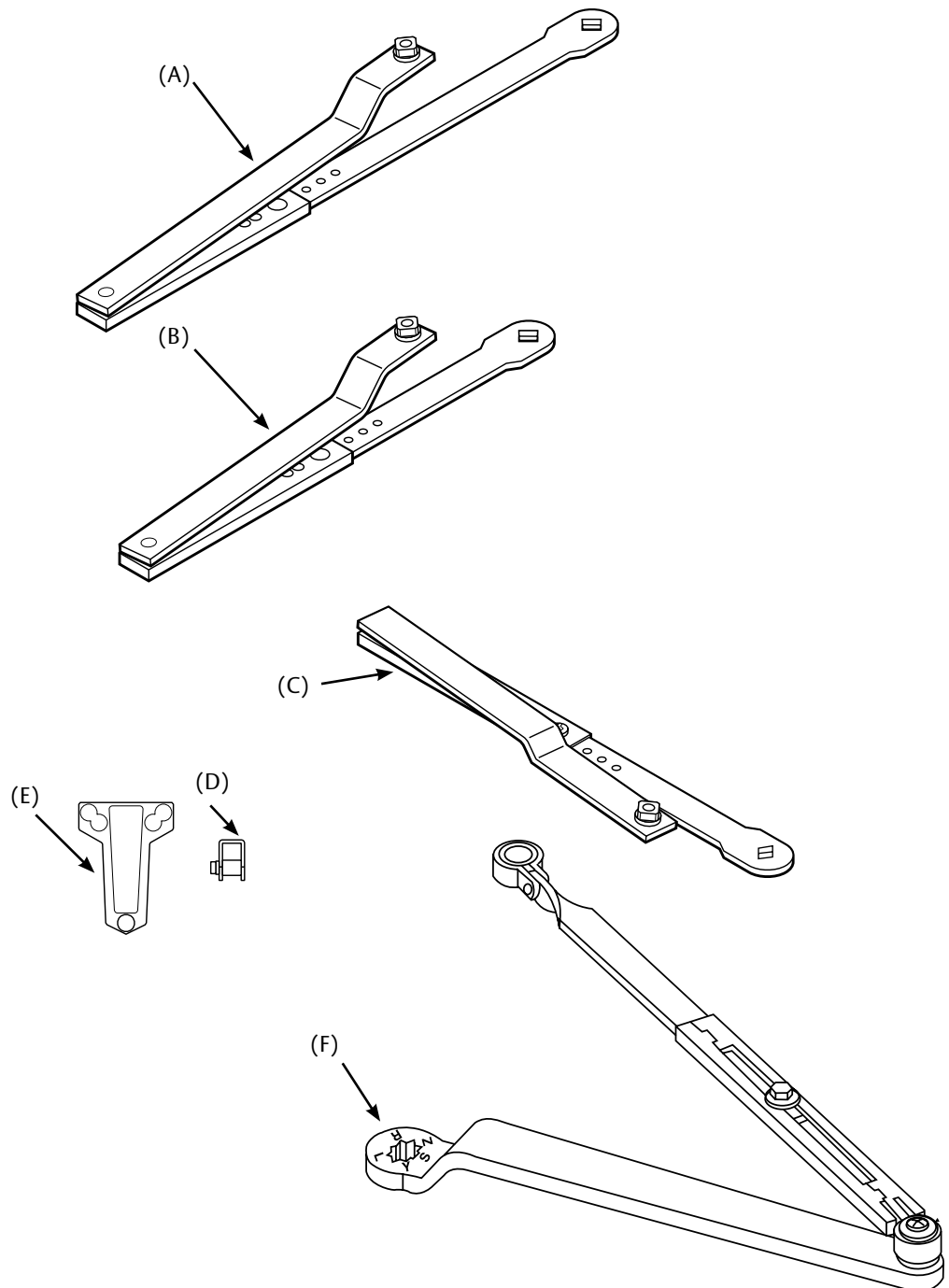
^Discontinued, available until inventory depleted.

Screw Packs
550221- for models with closers
550131- for models without closers

*specify finish

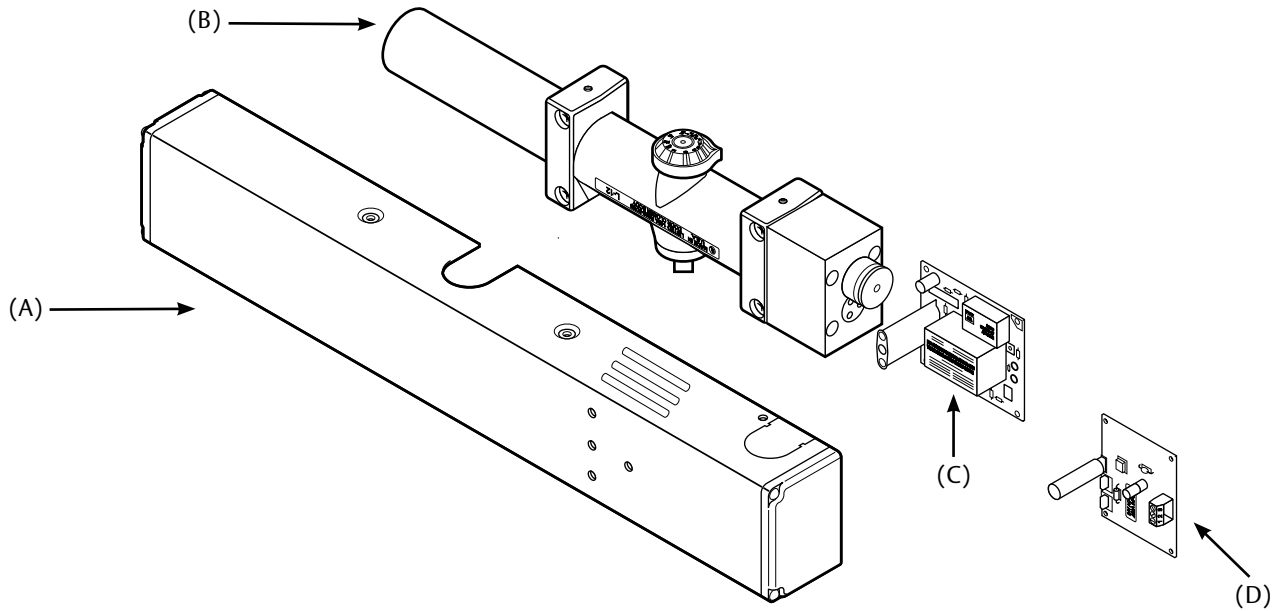
SMOK-CHEK® V

(A) Deep Reveal Push Side Arm 550789-*
(B) Push Side Arm 550136K*
(C) Pull Side Arm 550120K-*
(D) Door Pivot Bracket (Used with 0602 models) 565118T689
(E) PA Bracket (Used with 0602 models) 40-1600-0450-078
(F) Arm (used with 0602 models) 20-7700-0192



*specify finish

SMOK-CHEK® VI



(A) Cover 15-7200-0500-* (Non-detected)
(A) Cover 15-7200-0501- *(Detected)

(B) Body Only 15-7204-0500-078 (RH, 120VAC) 15-7204-0501-078 (RH, 24VAC/DC) 15-7204-0502-078 (LH, 120VAC) 15-7204-0503-078 (LH, 24VAC/DC)

(C) Ionization Detector Module 15-7200-0503-078 (120VAC or 24VAC/DC) Detected units only

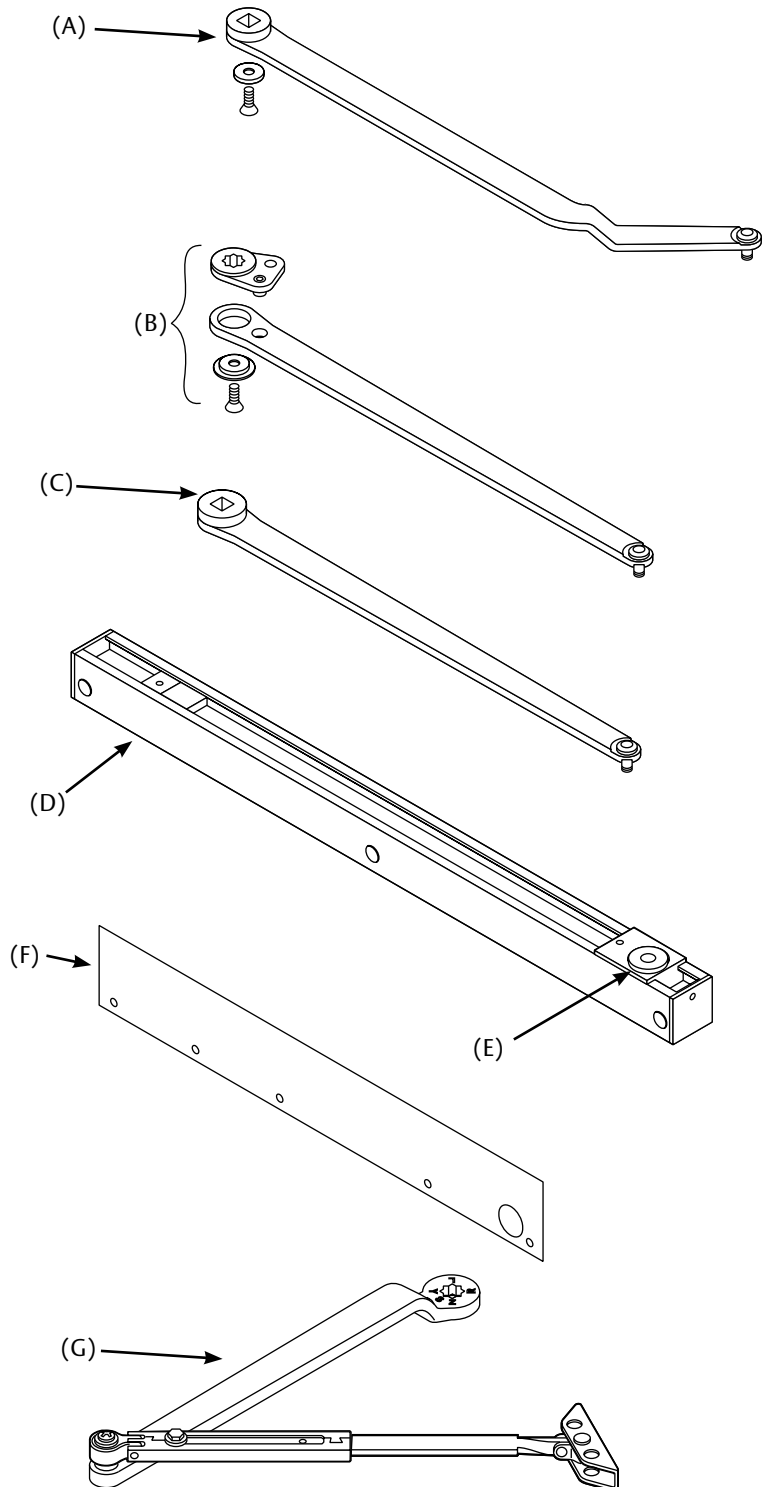
(D) PC Board 42-7200-0032-500 24V (Detected) 42-7200-0034-500 120V (Detected)

(D) PC Board 42-7200-0035-500 24V (Non-detected) 42-7200-0036-500 120V (Non-detected)

*specify finish

SMOK-CHEK® VI

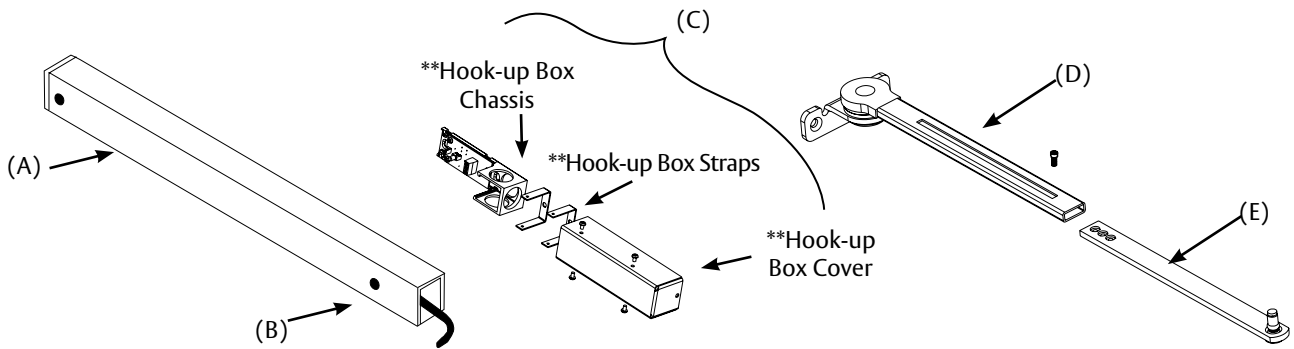
(A) Double Egress Pull Side 15-7200-0506-* (RH) 15-7200-0507-* (LH)
(B) Free Swing Arm 15-7200-0502-*
(C) Pull Side Arm 15-7200-0510-*
(D) Pull Side Track 15-7200-0504-*
(E) Slider Assembly 20-7700-0337-000
(F) Decorative Back Plate 15-7200-0508-* (Non-detected) 15-7200-0509-* (Detected)
(G) Push Side Arm 15-7200-0505-*



Sex Bolt Package
15-7200-0382-*

*specify finish

Models 99-726 and 99-926



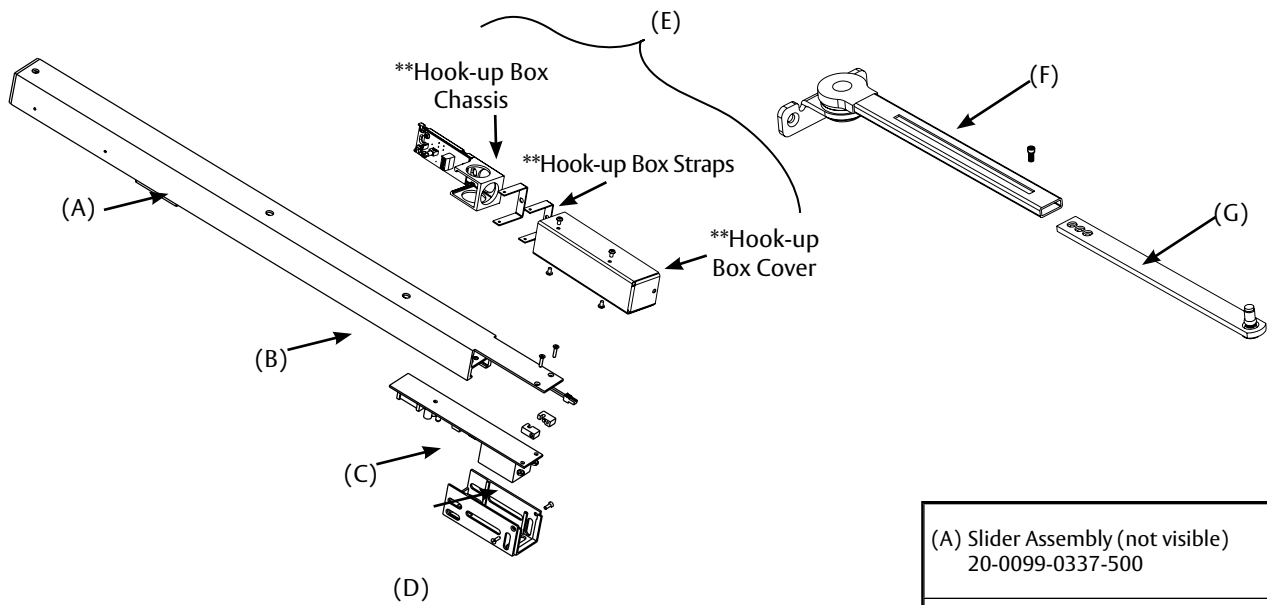
(A) Slider Assembly (not visible)	20-0099-0337-500
(B) Channel	
99-726	20-0099-0202-* 24V 20-0099-0203-* 120V
(B) Channel	
99-926	20-0099-0206-* 24V 20-0099-0207-* 120V
(C) Hook-up Box Assembly	
99-726	20-0099-0379-* 120V
(C) Hook-up Box Assembly	
99-926	20-0099-0378-* 24V
(D) Arm Bracket & Tube	20-0099-0516-*
(E) Adjusting Rod	20-0099-0343-*

Screw Kit
 20-0040-0534-*

*specify finish

** Not sold separately. Part of hook-up box assembly

Models 99-626 and 99-826



Screw Kit
20-0040-0534-*

(A) Slider Assembly (not visible)	20-0099-0337-500
(B) Channel	99-626 20-0099-0200-*
(B) Channel	99-826 20-0099-0204-*
(C) Detector	20-7700-0353
(D) Cover	20-7700-9307
(E) Hook-up Box Assembly	99-626 20-0099-0381- [*] 120V 99-826
(E) Hook-up Box Assembly	99-626 20-0099-0380- [*] 24V 99-826
(F) Arm Bracket & Tube	20-0099-0516-*
(G) Adjusting Rod	20-0099-0343-*

^{*}specify finish

^{**} Not sold separately. Part of hook-up box assembly