

Door Control Accessories

RIXSON®
ASSA ABLOY

Special Condition Accessories
and Installation Aids to Give the
Owner the True Benefit of
Using Floor Closers and Pivots



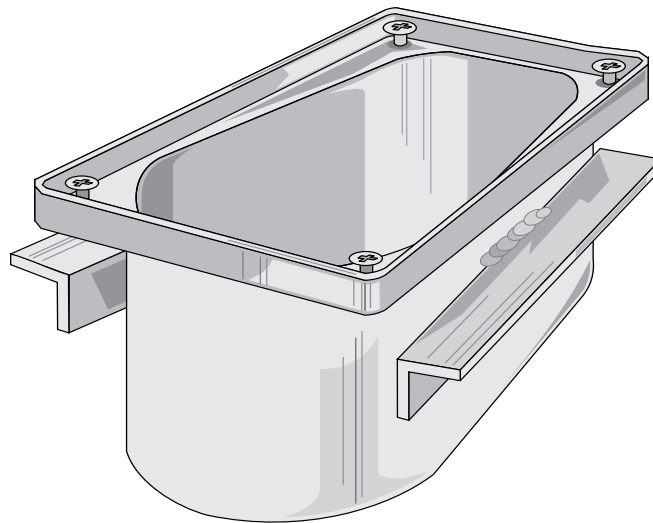
ASSA ABLOY, the global leader in door opening solutions

Introduction

This section includes a myriad of items to make sure all closing/hanging installations will give the best performance for the longest period of time.

It may be a caster for an extra-wide pivoted door or a tool to make sure the product has been installed correctly.

Take a minute to see some items that can make your life as a designer or as a distributor a little easier.



79501 Cement Case

Contents

Page

Door Control Accessories: General Information 86

Caster

10600 Single Roller Caster 88

10602 Double Roller Caster 88

Special Cement Cases

1101 Cement Case for Use Between 2 Slabs 89

79501 Cement Case for Use with Shallow Floors 89

25204 Twin Cement Case 1-7/8" Mullion for back-to-back closers 90

25304 Twin Cement Case 2" Mullion for back-to-back closers 90

Cover Pans

846 Cover Pan for 27 closer, all depths 91

2237 Cover Pan for 28 closer x 554 flat arm, all depths 91

841 Cover Pan for 28 closer, centering arm, all depths 91

841B Cover pan for H28 91

841C Cover Pan for H28 x 587 91

2637 Cover Pan for 51 closer, all depths 91

2807D Cover Pan for 53 closer, all depths 91

2807B Cover Pan for 50 closer x 554 flat arm, all depths 91

2807A Cover Pan for 50 closer, centering arm, all depths 91

Applied Stop

60131 Lock edge applied stop for center hung doors 92

Installation Tools

2604/2608 Pivot Alignment Tools 93

1859001 27/28/30/40 Quickspotter 93

1859501 Q27 Quickspotter 93

1855051 50/51/53 Quickspotter 93

Installation DVDs 94

Door Control Accessories

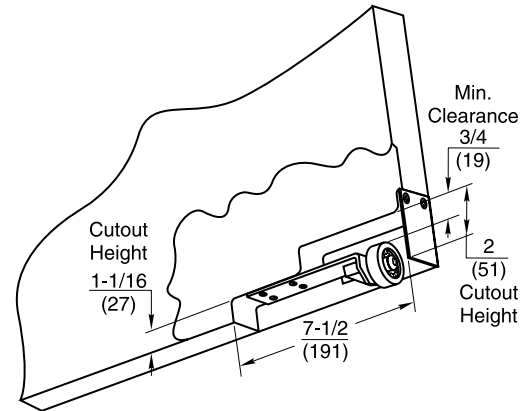
RollerMate® 10600 Caster for Leading Door Edge



Product Description & Features

- Casters are required for all doors over 5' wide that are pivoted near the heel edge of the door
- Can assist doors weighing up to 730 pounds. For doors up to 1500 pounds model 10602 should be used
- Metal doors minimum 1-3/4" thickness
- Wood doors minimum 2-1/4" thickness
- (3) 1/16" shim plates included for adjustment after door is installed
- Optional End Cap to finish off edge of door 10600-019
- Hollow metal mounting plate available
- For low frequency usage
- For interior door installations
- For pivot doors only
- Patented

Technical Information



1101 Cement Case for Exterior Expansion Joints or Between Slab Applications



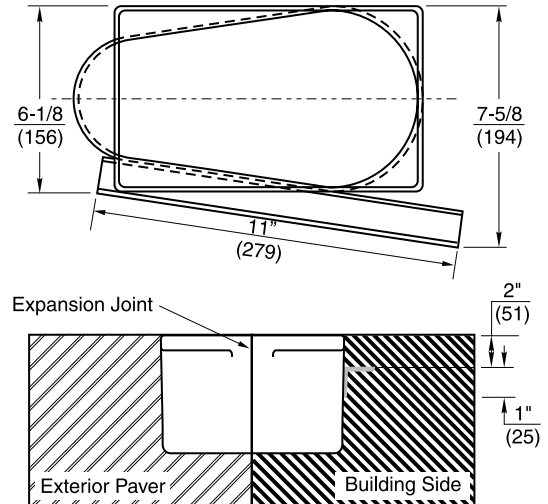
Application

At expansion joints, angle is applied to one side of a cast iron cement case allowing it to anchor to interior slab. Outside edge of slab independent of exterior slab.

To be used with 27 or 28 closer
(not recommended for L or H series — extra heavy duty models)

Specify hand or door swing.

Technical Information



79501 Heavy Duty Cement Case for Shallow Depth Floors



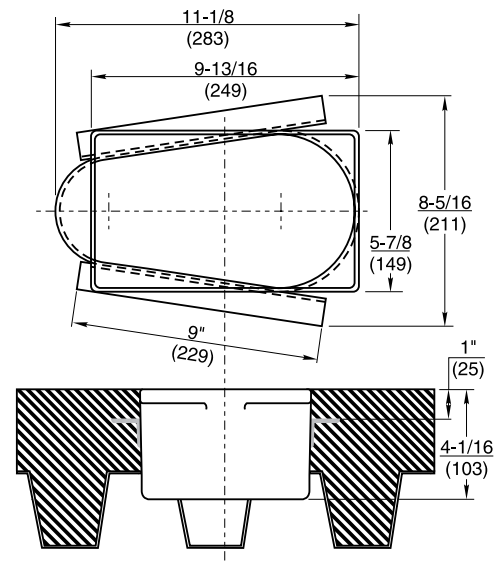
Application

When a shallow concrete floor (*less than 4-1/2"*) presents installation difficulties, there is no need to sacrifice proper door control. Heavy-duty closers (27 and 28) that are normally furnished with cycolac cases may be ordered with metal cases that have steel angles welded to the sides.
(For 30/40 series closers contact factory)

(not recommended for L or H series — extra heavy-duty models)

When concrete is poured the only concern is that the angles be stable.

Technical Information



Twin Cement Case



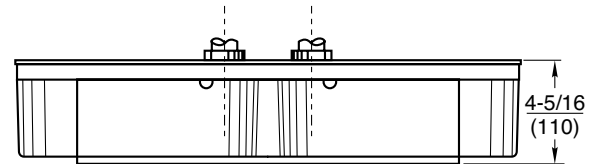
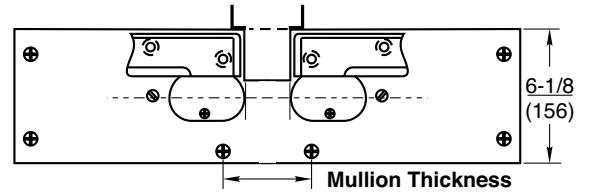
Application

27 closers cannot be mounted back-to-back where space between doors is less than 2-7/8" (73mm), without modification. When a 2" (51mm) (25304) or 1-7/8" (48mm) (25204) mullion is the only separation for these offset closers, a twin cement case must be furnished.

The closers are also modified

When a twin cement case is ordered, mullion width must be indicated. Both closers and cement cases must be ordered at the same time. Field modification to standard product is not possible.

Technical Information



Cover (Terrazzo) Pans



Closers that are "buried" under floor materials, that do not have Rixson cover pans, will not be covered by warranty.

Application

To ensure the aesthetics of a continuous floor line, a cover pan can be used in lieu of a closer floor plate. A cover pan is filled with flooring material (terrazzo, marble, tile, etc.) and is then placed on top of the floor closer. This allows access to the floor closer for maintenance.

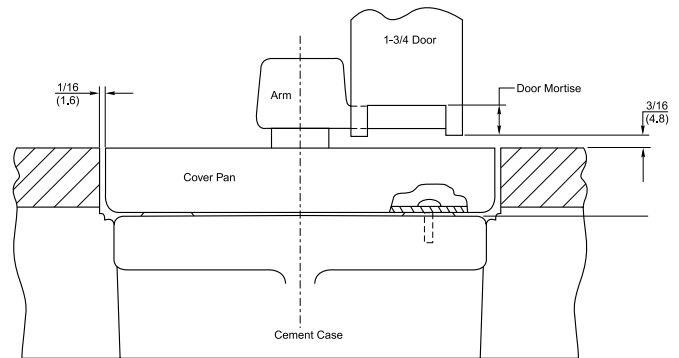
Specify stainless steel or brass, exact closer being used, hand, and depth of pan. (7/8"(22mm) is standard.) Deduct cost of floor plate, add for extended spindles, and add for cover pan.

For pan depths and closer spindle information, refer to "Templates" and "Door Control Accessories". Common cover pan part numbers include:

846	27 closer, all depths
2237	28 closer x 554 flat arm, all depths
841	28 closer, centering arm, all depths
841B	H28 closer, 2" door or thickness
841C	H28 closer x 587 arm
2637	51 closer, all depths
2807D	53 closer, all depths
2807B	50 closer x 554 flat arm, all depths
2807A	50 closer, centering arm, all depths

Any other closer models will be special layouts. Contact factory for correct product numbers and pricing.

Technical Information



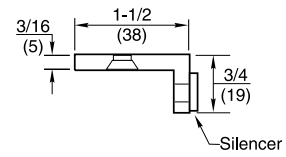
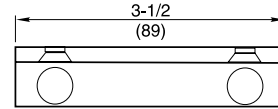
60131 Applied Stop



Application

For center hung doors with single acting closers. Mount to underside of frame head at the lock edge to keep doors from resting past center.

Technical Information



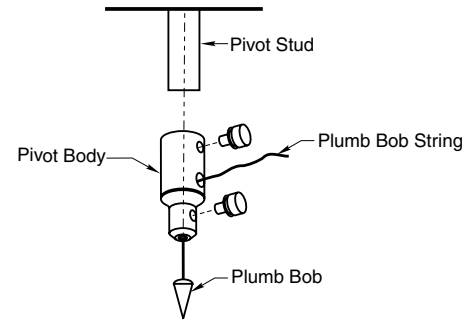
2604/2608 Pivot/Closer Alignment Tool



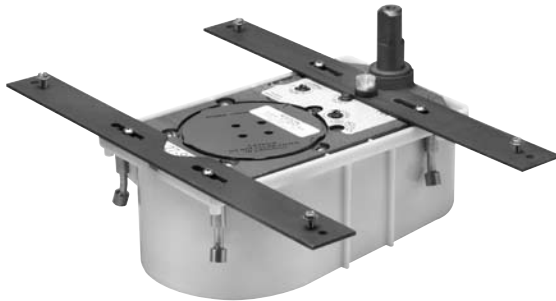
Application

- Reusable tool ensures proper alignment of top and bottom pivot or closer
- May be used for offset or center hung installations
- Plumb line and bob not included
- Can be reused for future/additional installations
- For H340 and H345 top pivots use part number 2608

Technical Information



1859001 Quickspotter

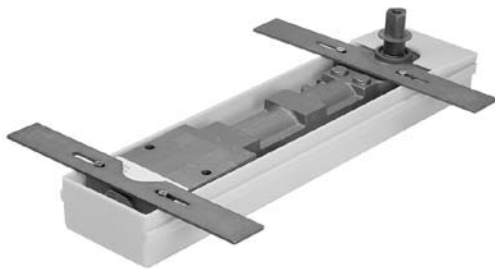


Application

Metal straps are attached to the closer to suspend it during setting. Locator indicates proper placement of spindle. The level ensures a leveled installation.

- Spindle locator plate (for offset and center hung installations)
- 2 spotter straps with leveling screws
- Bubble level
- May be used on Models 27, 28, 30, 40
- Can be reused for future/additional installations
- For Q27 specify model 1859501 Quickspotter

1855051 Quickspotter



Application

Metal straps are attached to the closer to suspend it during setting. Locator indicates proper placement of spindle. The level ensures a leveled installation.

- Spindle locator plate (for offset and center hung installations)
- 2 spotter straps with leveling screws
- Bubble level
- May be used on models 50, 51, and 53
- Can be reused for future/additional installations

Installation DVDs

Since installation of floor closers and pivots is a very sensitive and intimidating process, Rixson has developed step-by-step instructions on how to make the cavity in the concrete for the cement cases, use the pivot alignment tools, employ Quickspotters and view actual door hanging.

These vital installation support items are found on the Rixson website at www.rixson.com under "Installation Aids". They are also available from your local ASSA ABLOY Door Security Solutions sales agency (www.rixson.com under "Sales Contacts").

With these audio/video representations, installing a door closer will take little more time than hanging a butt hung door. And there will be the additional benefit of guaranteeing that the door is hanging plumb and true. Most important, the owner will get scores of years of service from the concealed hardware.

