

# Electrified Closer/ Holder

Fire/Life-Safety Products  
to Protect People  
and Property



**RIXSON**  
**ASSA ABLOY**

ASSA ABLOY, the global leader  
in door opening solutions

General Information .....	3
Options .....	4
Certifications.....	4
Limited Warranty .....	4
Specifications.....	4
<b>SMOK-CHEK® V</b>	
0600 Non-Detected Pull Side Mounting .....	5
0601 Non-Detected Push Side Mounting.....	5
0602 Non-Detected Holder on Pull Side/Closer on Push Side .....	6
0100 Non-Detected Pull Side Mounting Holder Only .....	6
0101 Non-Detected Push Side Mounting Holder Only.....	7
<b>How to Order</b> .....	<b>8</b>
<b>SMOK-CHEK® VI</b>	
4 PULL Non-Detected Pull Side Mounting .....	9
6 PULL Detected Pull Side Mounting.....	9
4 PUSH Non-Detected Push Side Mounting.....	9
6 PUSH Detected Push Side Mounting.....	9
<b>How to Order</b> .....	<b>10</b>
<b>CHECKMATE® 99</b>	
99-726 Non-Detected Push Side Mounting .....	11
99-626 Detected Push Side Mounting.....	11
99-926 Non-Detected Pull Side Mounting.....	11
99-826 Detected Pull Side Mounting .....	11
<b>How to Order</b> .....	<b>12</b>
Parts Drawings.....	13-18

Rixson® was the first architectural hardware company to have fire/life-safety closers and holders. It remains an industry leader with several distinctly different holding devices. The Smok-Chek® V, the Smok-Chek® VI and the Checkmate® 99 serve many purposes. Certain models come as detected with a built in smoke detector or non-detected models which would be connected only to the alarm system. BE ADVISED THAT THESE PRODUCTS ARE NOT DESIGNED TO BE MANUALLY PULLED OUT OF HOLD OPEN. If continual cycling is necessary, use a separate switch to release.

### Smok-Chek® V

Electromechanical action

- Single-point hold open
- More durable than electrohydraulic units
- To hold open at 90°, door must open to 93°
- Best suited for cross corridor doors

### Smok-Chek® VI

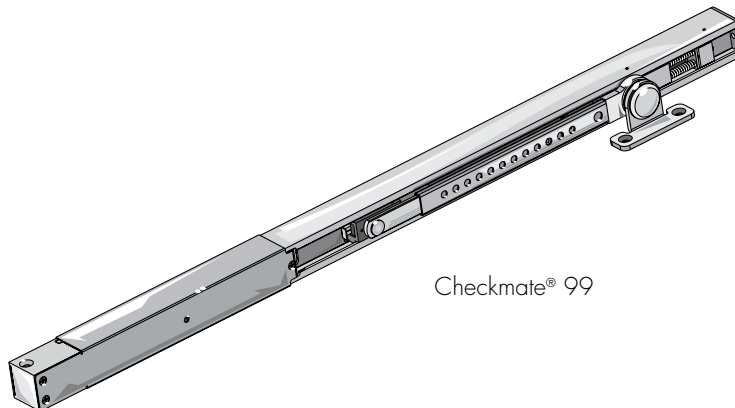
Electrohydraulic action

- Single point hold open- field adjustable, via cam
- Factory preset at 80°
- To hold open at 90°, door must open to 105°
- Free-Swing arm option
  - Door acts as if there is no closer attached until the power is cut and the arm piece brings the door closed
- Best suited for patient room doors using free swing arm option

### Checkmate® 99

Electromechanical action – no closer supplied

- For doors with floor closers or surface mounted door closers
- Single point hold open
- To hold open at 90°, door must open to 93°
- Best suited for cross corridor doors



Checkmate® 99

---

## SMOK-CHEK® V

---

### 550789 Arm – suffix 550789

For Smok-Chek® V push side units only. This option should be used on double egress with reveals from 3-1/2" to 5-1/2". Should also be used on push side mount where doors need to swing to 180°.

---

## SMOK-CHEK® VI

---

### Detected products

They have an integral photo-optic smoke detector. They can be stand-alone or used to activate other non-detected models.

### Non-detected

These are connected to the alarm system or to a detected unit at the same opening.

### Free Swing Arm – prefix FS

For Smok-Chek® VI pull side units only. This option disengages the arm from the closing mechanism to make the door swing freely. It is normally used on patient room doors in hospitals. When alarm cuts the power, a mechanism on the closer spindle pushes the arm and closes the door.

### Double Egress Arm – prefix DE

For Smok-Chek® VI pull side units only. This option can accommodate double egress reveals up to 3".

---

## CHECKMATE 99

---

May be detected.

---

## CERTIFICATIONS



### All units are UL listed

All Rixson® electrified closer/holders are in compliance with ANSI/BHMA A156.8 and A156.15 Standards. See individual products for sub sections.

---

## LIMITED WARRANTY

---

Rixson Electrified Closer/Holders are warranted for 2 years for defect. See Rixson price book for specific details of the limited warranty.

---

## SPECIFICATIONS

---

**Closer/holders shall be Smok-Chek® V series.** They should be electromechanical type. All holders shall open and hold up to 180°. Units shall have holder on the frame and closer on the door. Product with fall-off will not be acceptable.

**Closer/holders shall be Smok-Chek® VI series.** They should be electrohydraulic type. Units should have integral smoke detector, where applicable. All models shall have the ability to be set to multiple point hold open in the field. This product should have free swing option.

Whenever floor closers are specified and an electromechanical hold open is needed, the product should be **Checkmate® 99**. This separate holder will allow the doors to swing to 110°, depending on the type of closer being used. Units should have integral smoke detector, where applicable.

## 0600 PULL SIDE MOUNTING

### Application

- Cross corridor doors – swinging in the same direction
- Non-handed
- Maximum door weight 250 lbs.
- Doors up to 4'0"

ANSI/C00111

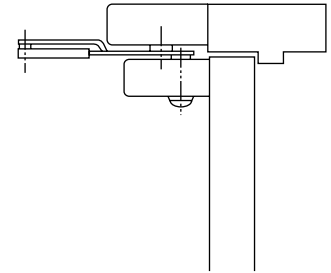


### Product Description & Features

- Pull side mount
- Hold open range 85°- 145°
- Mounts on 2" header
- Adjustable spring surface closer
- Maximum reveal 1/8"
- Concealed switch disconnects hold open
- Sprayed finishes

### Technical Information

- 24VAC/DC 80ma
- 120VAC 17ma



## 0601 PUSH SIDE MOUNTING

### Application

- Cross corridor doors – double egress – doors swinging in opposite directions
- Non-handed
- Maximum door weight 250 lbs.
- Doors up to 4'0"

ANSI/C00231

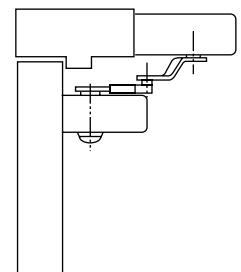


### Product Description & Features

- Push side mount
- Hold open range 85°- 135°
- Doors may swing and hold at 180° by using special arm 550789
- Mounts on 2" header
- Adjustable spring surface closer
- Maximum reveal 3-1/2"
- For reveals 3-1/2" - 5-1/2" use special arm 550789
- Concealed switch disconnects hold open
- Sprayed finishes

### Technical Information

- 24VAC/DC 80ma
- 120VAC 17ma



0602 HOLDER PULL SIDE MOUNTING/CLOSER PUSH SIDE MOUNTING

**Application**

- Cross corridor doors – swinging in the same direction
- Non-handed
- Maximum door weight 250 lbs.
- Doors up to 4'0"

ANSI/C00471

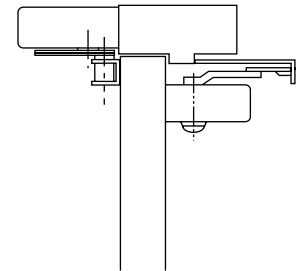


**Product Description & Features**

- Pull side mount for holder
- Push side mount for closer
- Hold open range 85°- 180°
- Mounts on 2" header
- Adjustable spring surface closer
- Maximum reveal 1/8"
- Concealed switch disconnects hold open
- Sprayed finishes

**Technical Information**

- 24VAC/DC 80ma
- 120VAC 17ma



0100 HOLDER PULL SIDE MOUNTING – NO CLOSER

**Application**

- Cross corridor doors – can be used with floor closers
- Non-handed
- Maximum door weight 250 lbs.
- Doors up to 4'0"

ANSI/C00471

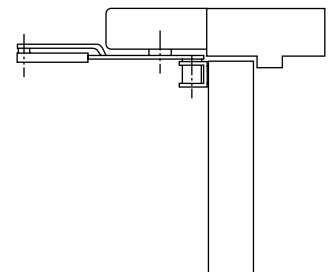


**Product Description & Features**

- Pull side mount for holder
- No closer supplied
- Hold open range 85°- 180°
- Mounts on 2" header
- Maximum reveal 1/8"
- Sprayed finishes

**Technical Information**

- 24VAC/DC 80ma
- 120VAC 17ma



0101 HOLDER PUSH SIDE MOUNTING – NO CLOSER

**Application**

- Cross corridor doors – double egress – doors swinging in opposite directions
- Non-handed
- Maximum door weight 250 lbs.
- Doors up to 4'0"

ANSI/C00511

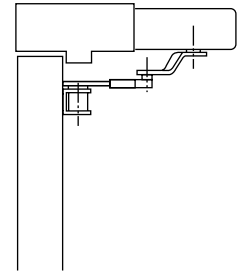


**Product Description & Features**

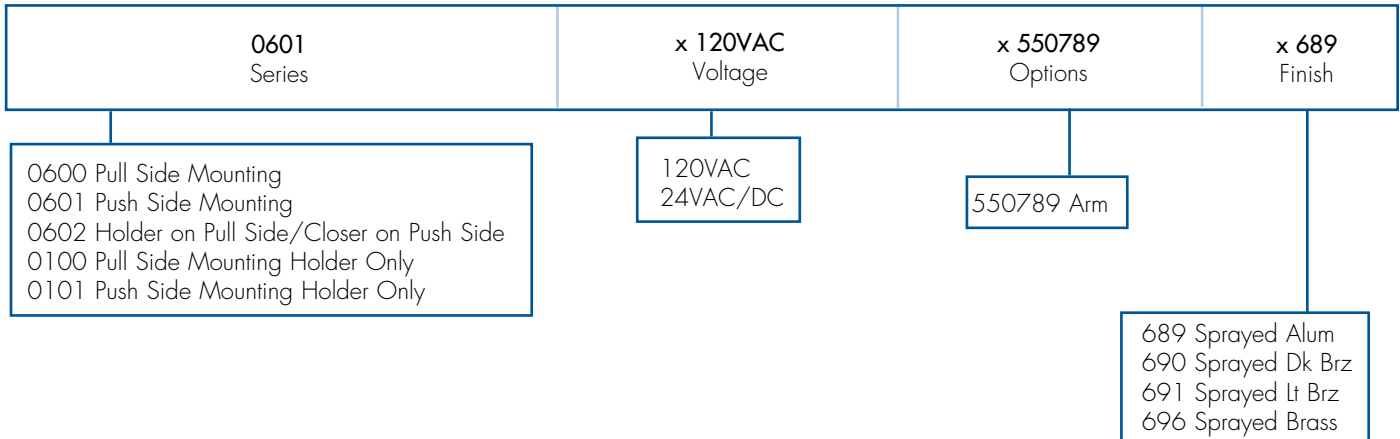
- Push side mount for holder
- No closer supplied
- Hold open range 85°- 135°
- Mounts on 2" header
- Maximum reveal 3-1/2"
- For reveals 3-1/2" - 5-1/2" use special arm 550789
- Sprayed finishes

**Technical Information**

- 24VAC/DC 80ma
- 120VAC 17ma



HOW TO ORDER





4 PULL NON-DETECTED PULL SIDE MOUNTING/ 6 PULL DETECTORED PULL SIDE MOUNTING

**Application**

- Patient room doors
- Maximum door weight 250 lbs.
- Handed
- Door width 2'4" - 4'0"

ANSI/C00351/C00361/  
C00371/C00381

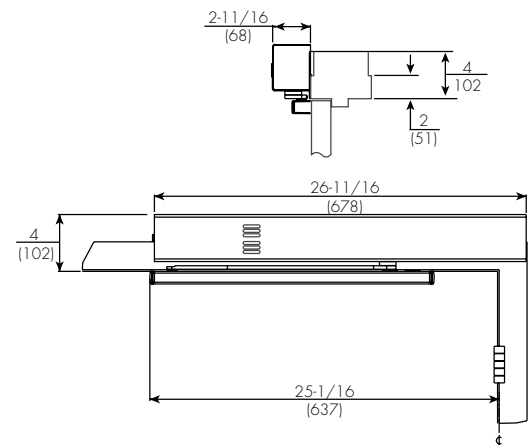


**Product Description & Features**

- Pull side mounted
- Free swing arm available (prefix "FS")
- Maximum door opening 180°  
Maximum hold open 175°
- Double egress arm available for reveals deeper than 1/8" up to 3" (prefix "DE").  
Maximum opening 110°
- Single point hold open preset at factory (85°-175°)
- 4 PULL can be used with smoke detectors or as a slave unit to the 6 PULL
- 2" clearance required above 2" frame
- Sex bolts included standard
- 4 PULL available in 24VDC only
- 120VAC input is stepped down to 24VDC solenoid
- Sprayed finishes

**Technical Information**

- Non-detected 24VDC 70ma
- When 4 PULL and 6 PULL are ordered for a single pair of double doors, 4 PULL must be 24VDC
- Detected 24VDC 86ma standby, 105ma alarm



4 PUSH NON-DETECTED PUSH SIDE MOUNTING/ 6 PUSH DETECTORED PUSH SIDE MOUNTING

**Application**

- Patient room doors or stairwell
- Maximum door weight 250 lbs.
- Handed
- Door width 2'4" - 4'0"



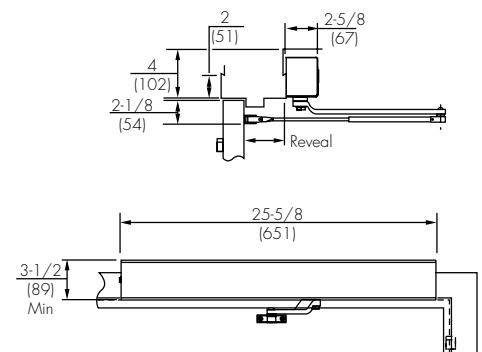
ANSI/C00311/C00321

**Product Description & Features**

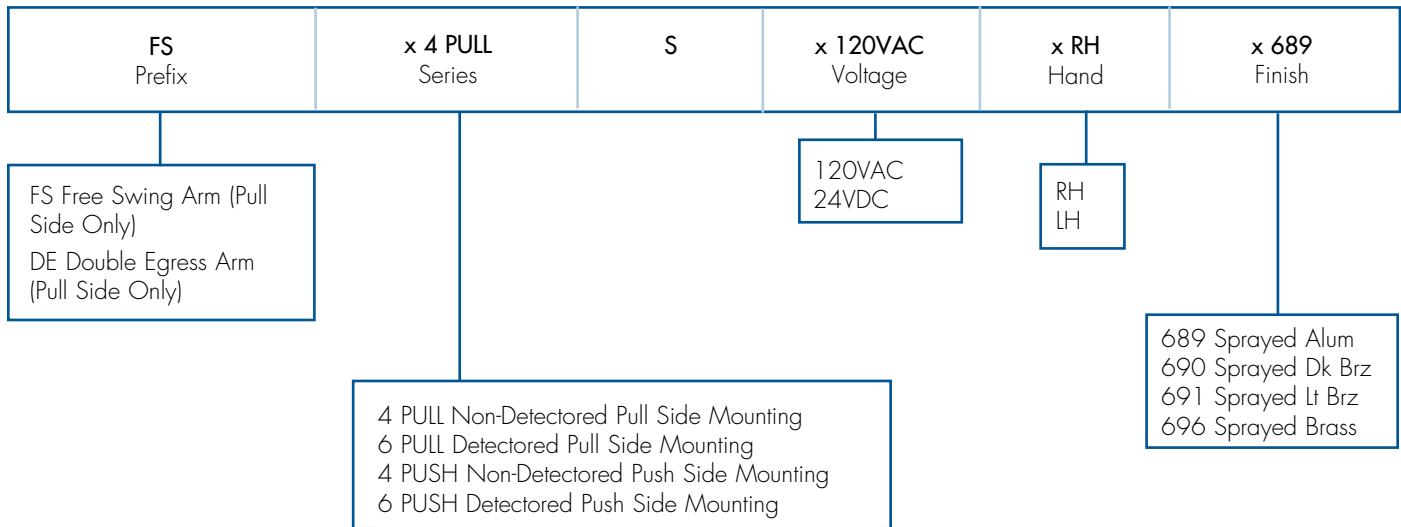
- Push side (stop) mounted
- Maximum door opening 180°  
Maximum hold open 175°
- Selective Hold Open (Standard) – single point hold open preset at factory (85°-175°)
- 4 PUSH can be used with smoke detectors or as a slave unit to the 6 PUSH
- 4 PUSH available in 24VDC only
- 120VAC input is stepped down to 24VDC solenoid
- Sprayed finishes

**Technical Information**

- Non-detected 24VDC 70ma
- When 4 PUSH and 6 PUSH are ordered for a single pair of double doors, 4 PUSH must be 24VDC
- Detected 24VDC 86ma standby, 105ma alarm



HOW TO ORDER



99-726 NON-DETECTED PUSH SIDE MOUNT / 99-626 DETECTED PUSH SIDE MOUNT

**Application**

- Used with independent closers
- Non-handed
- For doors 2'8" to 4'0" (non-detected) 3'0" to 4'0" (detected)

ANSI/C00511/C00521



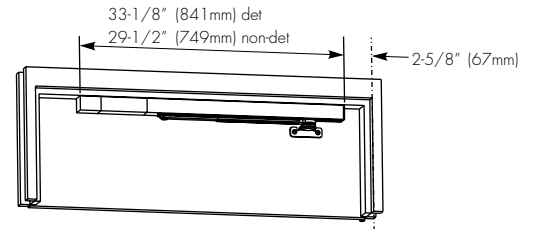
99-626 shown

**Product Description & Features**

- Surface mounted
- Single acting
- Sprayed finishes
- 85° - 110° hold open
- Push side
- Detected or non-detected
- Surface or concealed wiring
- Holding force 25-35 lbs.
- When used in conjunction with detected model, unit must be 24VDC

**Technical Information**

- Non-detected 120VAC / 24VAC/DC 90mA
- 120VAC / 24VAC/DC 106mA standby 125mA alarm



99-926 NON-DETECTED PULL SIDE MOUNT / 99-826 DETECTED PULL SIDE MOUNT

**Application**

- Used with independent closers
- Non-handed
- For doors 2'8" to 4'0" (non-detected) 3'0" to 4'0" (detected)

ANSI/C00471/C00481



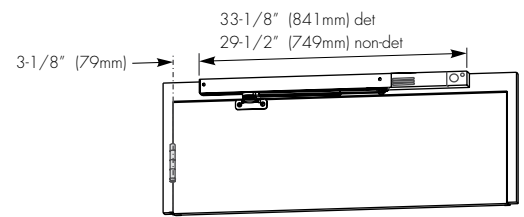
99-926 shown

**Product Description & Features**

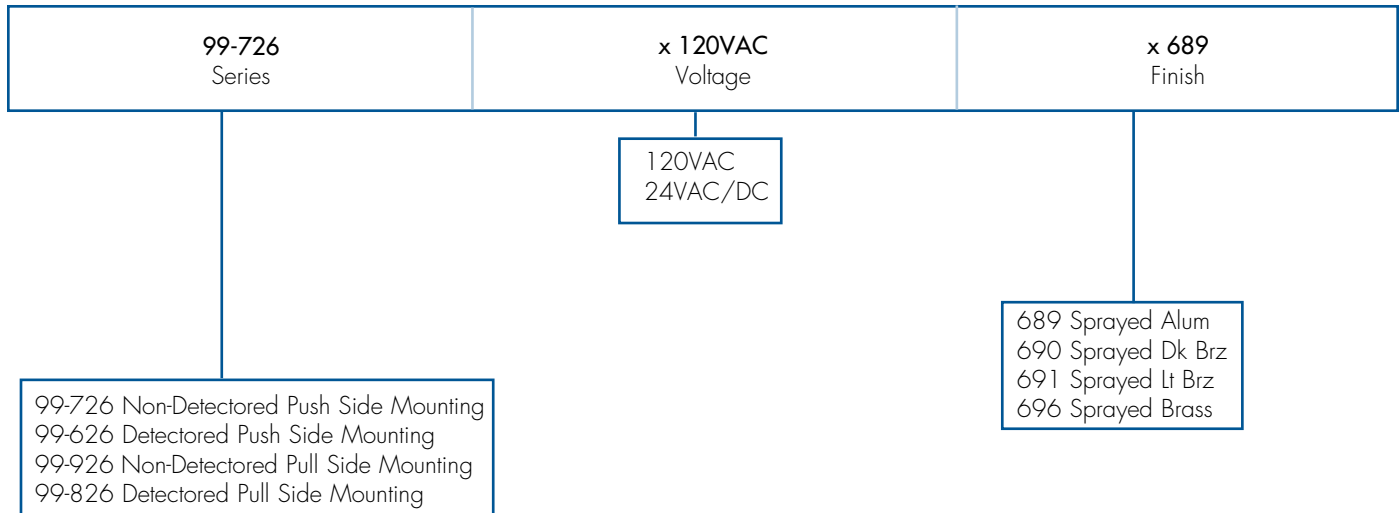
- Surface mounted
- Single acting
- Sprayed finishes
- 85° - 110° hold open
- Pull side
- Detected or non-detected
- Surface or concealed wiring
- Holding force 25-35 lbs.
- When used in conjunction with detected model, unit must be 24VDC

**Technical Information**

- Non-detected 120VAC / 24VAC/DC 90mA
- Detected 120VAC / 24VAC/DC 106mA standby 125mA alarm

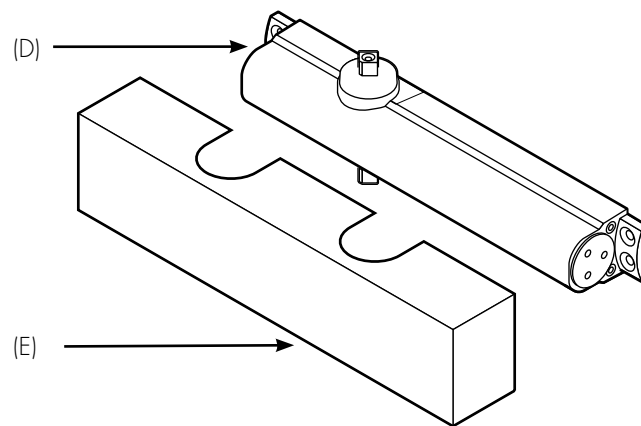
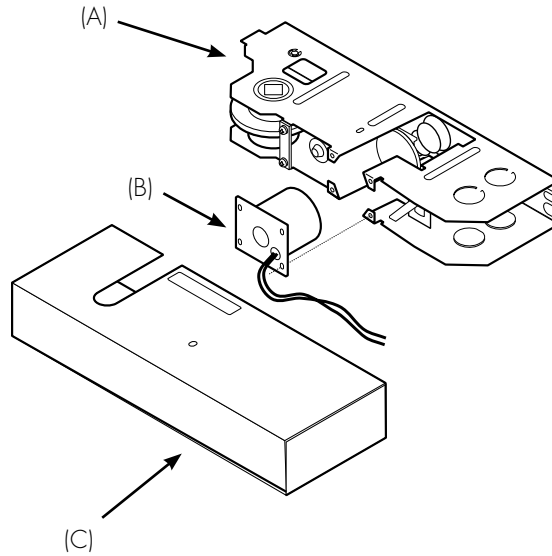


HOW TO ORDER



SMOK-CHEK® V

(A)	Holder Assembly	550100	120VAC
		550101	24VAC/DC
(B)	Magnet	930105	120VAC
		930106	24VAC/DC
(C)	Holder Cover (non-detected)	550106-*	
(D)	Closer Body	85010163-*	
(E)	Closer Cover	233069K*	

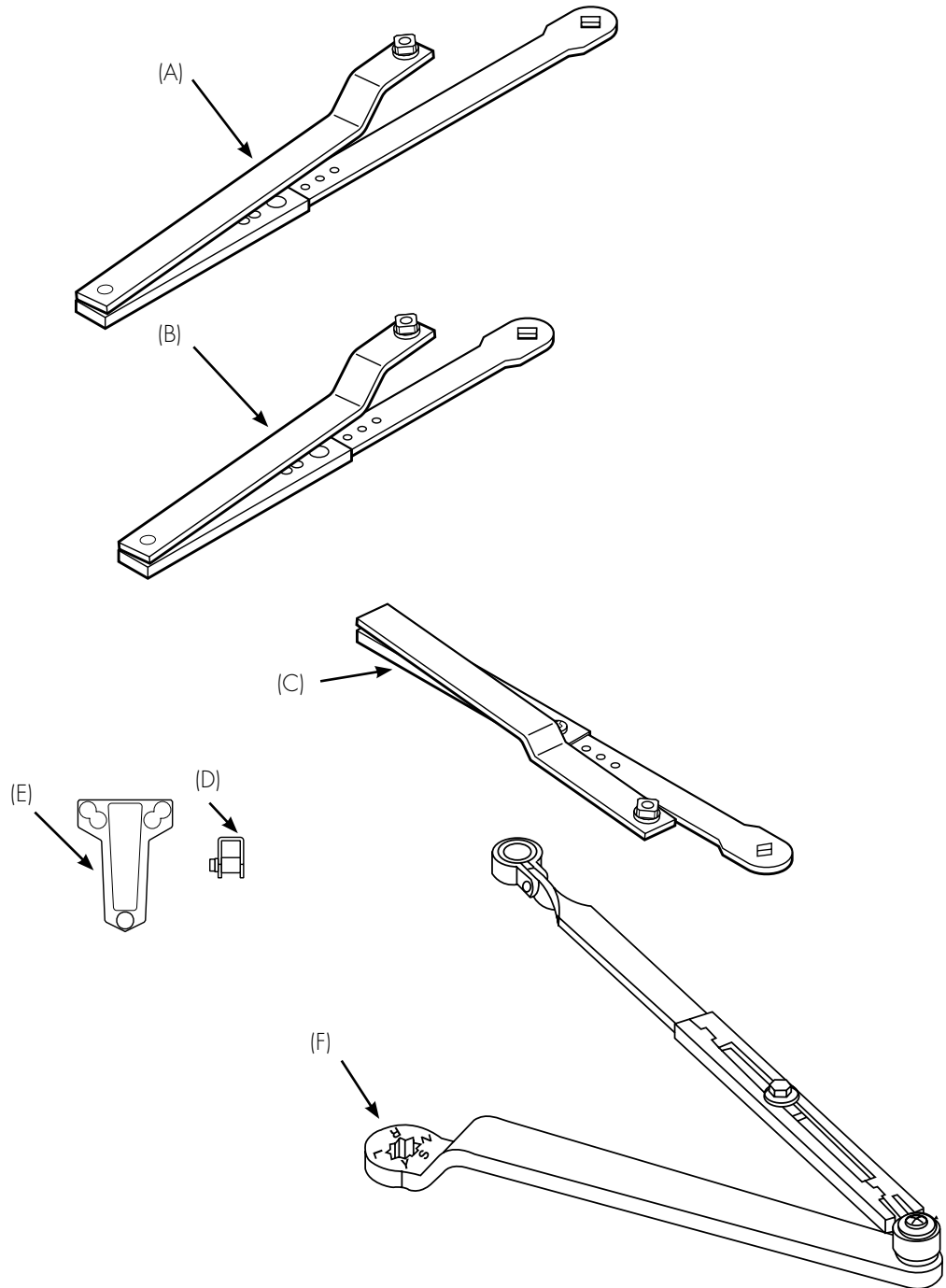


Screw Packs
550221-*
for models with closers
550131-*
for models without closers

\*specify finish

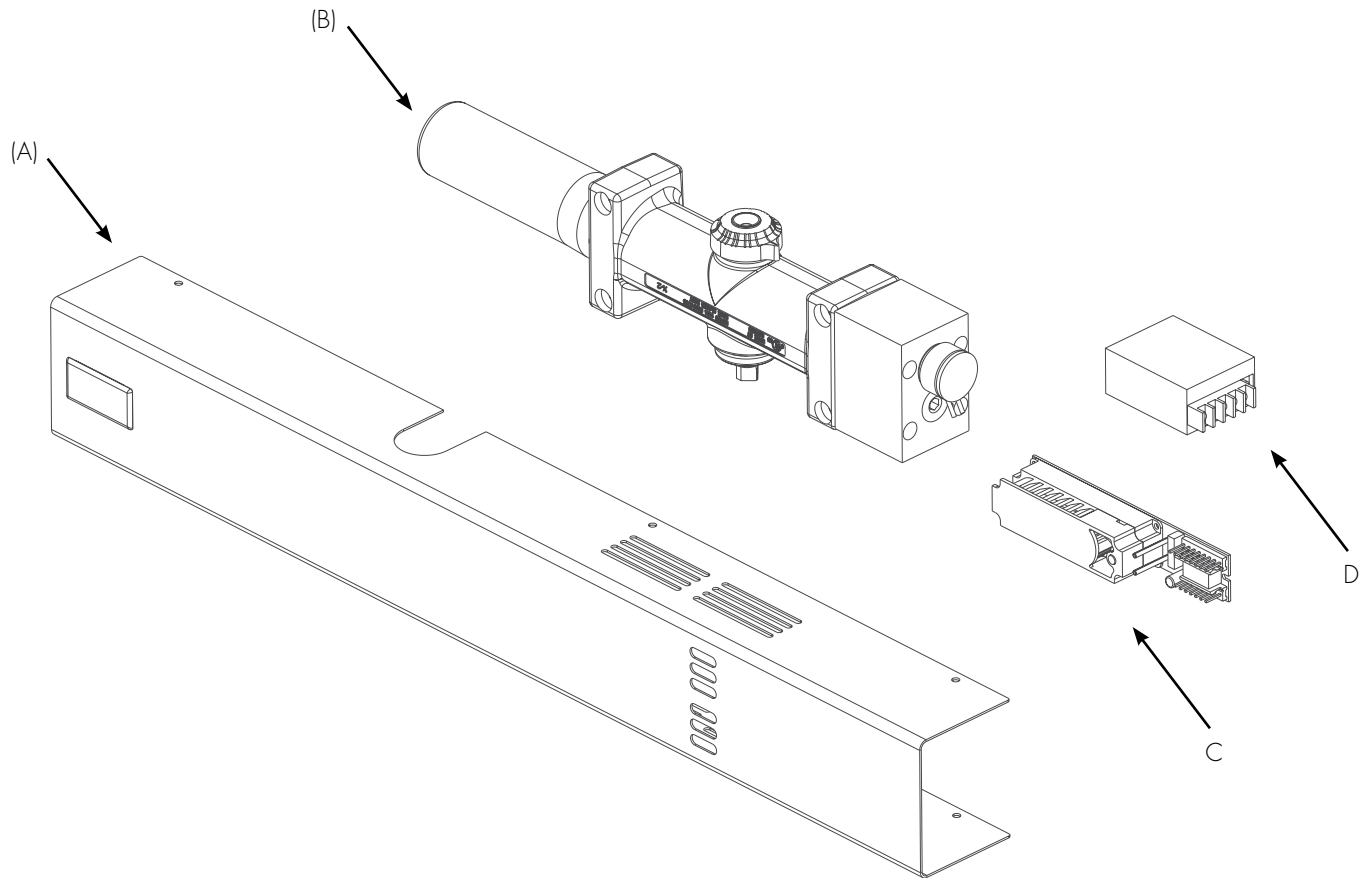
SMOK-CHEK® V

(A) Deep Reveal Push Side Arm 550789-*
(B) Push Side Arm 550136K*
(C) Pull Side Arm 550120K-*
(D) Door Pivot Bracket (Used with 0602 closers) 565118T689
(E) PA Bracket (Used with 0602 closers) 40-1600-0450-078
(F) Arm (used with 0602 closers) 20-7700-0192-*



\*specify finish

SMOK-CHEK® VI



(A) Cover (Non-detected) 15-7200-0511-*
(A) Cover (Detected) 15-7200-0512-*

(B) Body Only 15-7204-0501-078 (RH, 24VAC/DC) 15-7204-0503-078 (LH, 24VAC/DC)
---

(C) Photo Optic Detector Module Detected units only 15-7200-0503-078 (24VAC/DC)
--

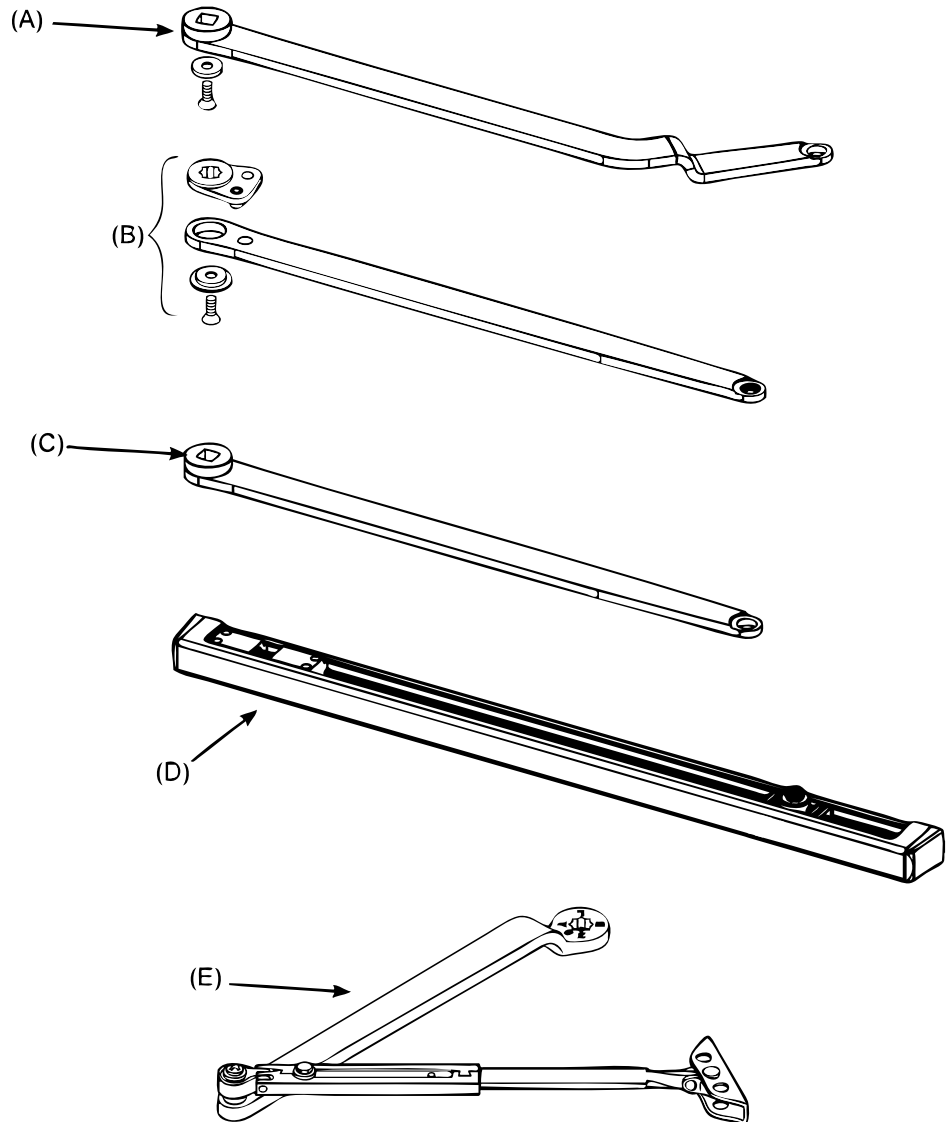
(D) PC Board 20-0099-0611-500 (24V) 20-0099-0612-500 (120V)
---

\*specify finish

SMOK-CHEK® VI

(A) Double Egress Pull Side 15-7200-0517-* (RH) 15-7200-0518-* (LH)
(B) Free Swing Arm 15-7200-0516-*
(C) Pull Side Arm 15-7200-0515-*
(D) Pull Side Track 15-7200-0514-*
(E) Push Side Arm 15-7200-0505-*

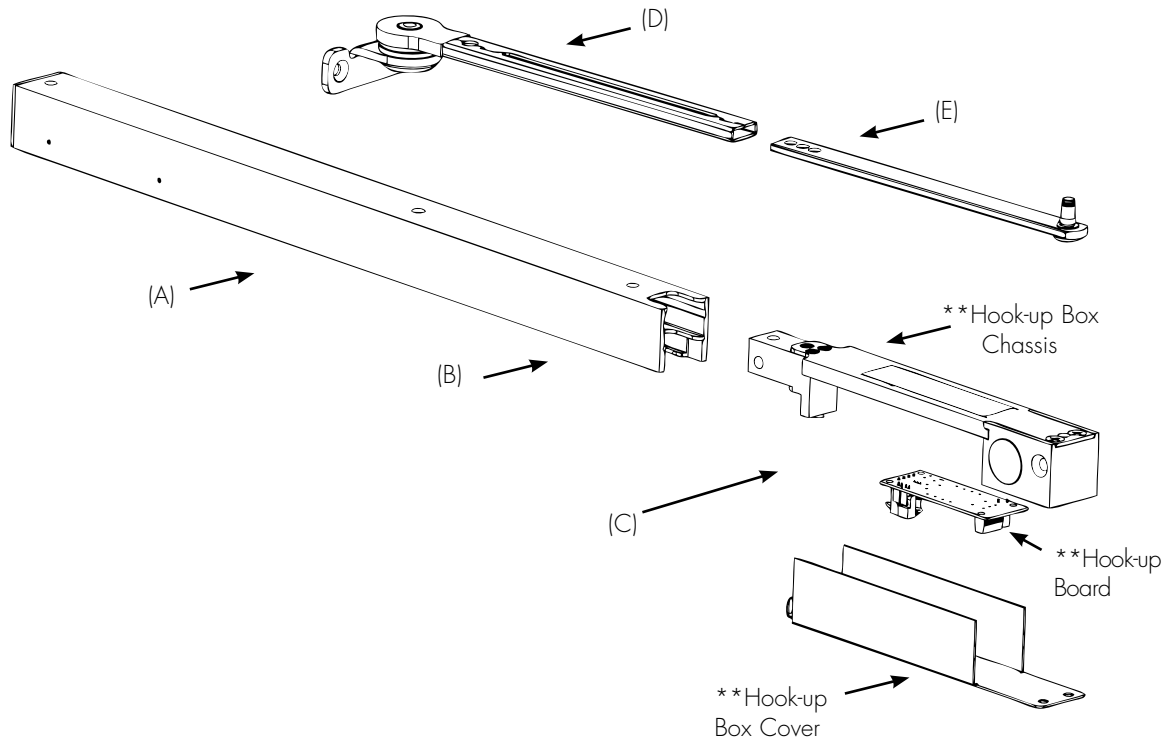
Sex Bolt Package  
15-7200-0382-\*



\*specify finish



MODELS 99-726 AND 99-926



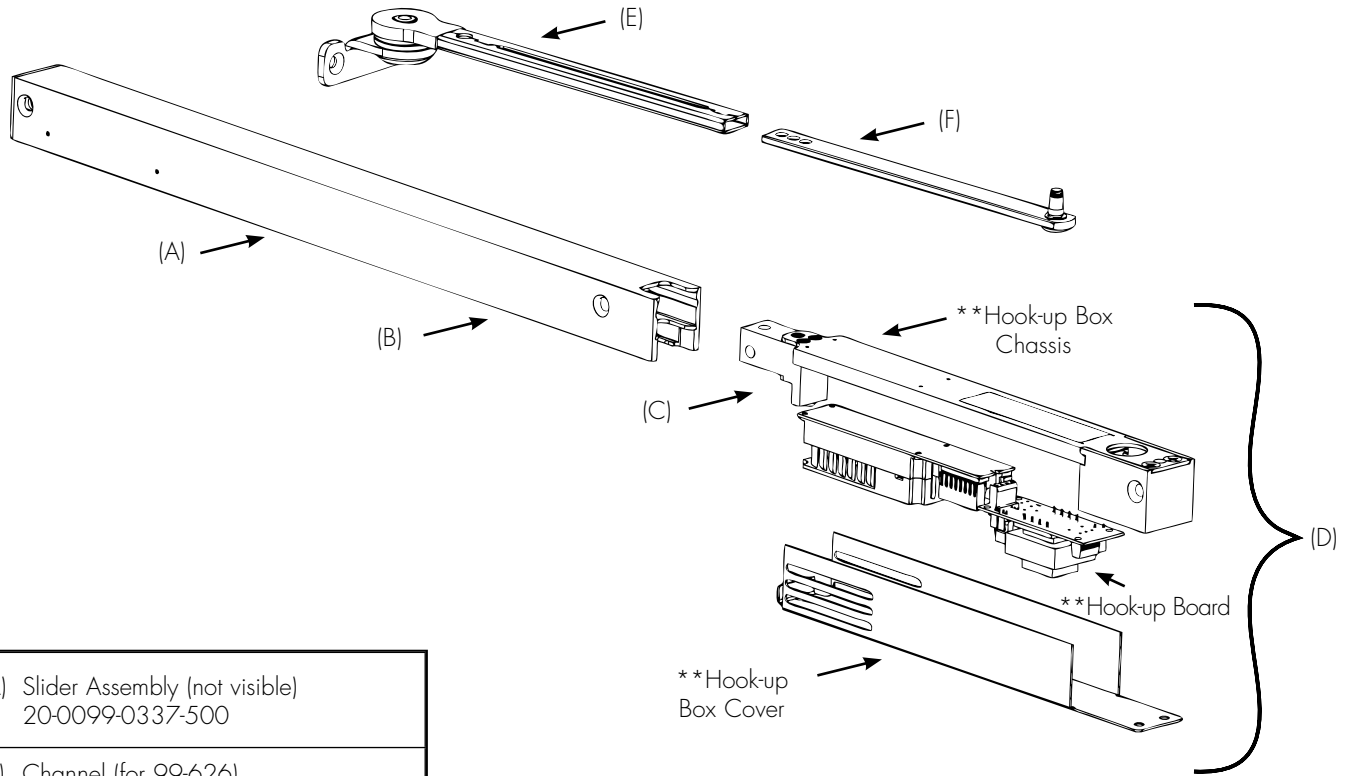
(A) Slider Assembly (not visible) 20-0099-0337-500
(B) Channel (for 99-726) 20-0099-0608-* (24V)
(B) Channel (for 99-926) 20-0099-0609-* (24V)
(C) Hook-up Box Assembly (for 99-726) 20-0099-0604-* (24V) 20-0099-0605-* (120V)
(C) Hook-up Box Assembly (for 99-926) 20-0099-0600-* (24V) 20-0099-0601-* (120V)
(D) Arm Bracket & Tube 20-0099-0516-*
(E) Adjusting Rod 20-0099-0343-*

Screw Kit  
20-0040-0534-\*

\*specify finish

\*\* Not sold separately. Part of hook-up box assembly

MODELS 99-626 AND 99-826



(A) Slider Assembly (not visible) 20-0099-0337-500
(B) Channel (for 99-626) 20-0099-0608-*
(B) Channel (for 99-826) 20-0099-0609-*
(C) Detector 20-0099-0610-500
(D) Hook-up Box Assembly (for 99-626) 20-0099-0606-* (24V) 20-0099-0607-* (120V)
(D) Hook-up Box Assembly (for 99-826) 20-0099-0602-* (24V) 20-0099-0603-* (120V)
(E) Arm Bracket & Tube 20-0099-0516-*
(F) Adjusting Rod 20-0099-0343-*

Screw Kit  
 20-0040-0534-\*

\*specify finish

\*\* Not sold separately. Part of hook-up box assembly



CONTACT US AT:

Rixson®  
3000 Highway 74 East  
Monroe, NC 28112  
Tel: 800-457-5670  
Fax: 800-338-0965

ASSA ABLOY Door Security Solutions Canada  
160 Four Valley Drive  
Vaughan, Ontario, L4K 4T9 Canada  
Tel: 800-461-3007  
Fax: 800-221-0489

For a complete listing of products and  
applications please visit our web site.

[www.rixson.com](http://www.rixson.com)  
[www.assaabloy.ca](http://www.assaabloy.ca)

Rixson®, Rixson and Design®, Checkmate® and Smok-Chek® are registered trademarks of Yale Security Inc., an ASSA ABLOY Group company. Other products' brand names may be trademarks or registered trademarks of their respective owners and are mentioned for reference purposes only. These materials are protected under U.S. copyright laws. All contents current at time of publication. Copyright © 2001, 2013, Yale Security Inc., an ASSA ABLOY Group company. All rights reserved. Reproduction in whole or in part without the express written permission of Yale Security Inc. is prohibited.