



SC400/SC4400 Series

Security Door Closer

introduction

Yale's High Security Closers are designed for use in prisons, government buildings, schools, financial institutions, or any installation where vandalism, abuse, escape, personal injury, or damage to doors, walls, and hardware are major concerns.

The Security Closer Line uses Yale's 400 and 4400 series institutional door closers with a variety of regular rigid and parallel rigid arms and track options. Hold open arms are also available. Fixed link arm assemblies, permanent joints, orbital riveted elbows, arm shoe and soffit plate joints and Torx® screws with tread lock prevent disassembly. Torx screws with security pin are provided standard for tamper resistance. Yale's 400/4400 and 3000 series door closers are also offered with some of the same arm options as the SC400 or SC4400 but without the security cover. These closers are utilized in schools and industrial environments where heavy abuse and vandalism may occur.

Features:

- Security arms – joints feature permanent, orbital riveted elbow and arm shoe/soffit plate joints which prevent disassembly
- Adjustable backcheck cushioning and positioning
- Torx drive machine screws with security pin
- Heavy-duty arms: Regular Rigid, Parallel Rigid, Holder/Stop and Holder/Stop Spring
- 10-year limited warranty

Optional Features:

- Slide track – push or pull mounting
- Delayed action
- Enhanced backcheck

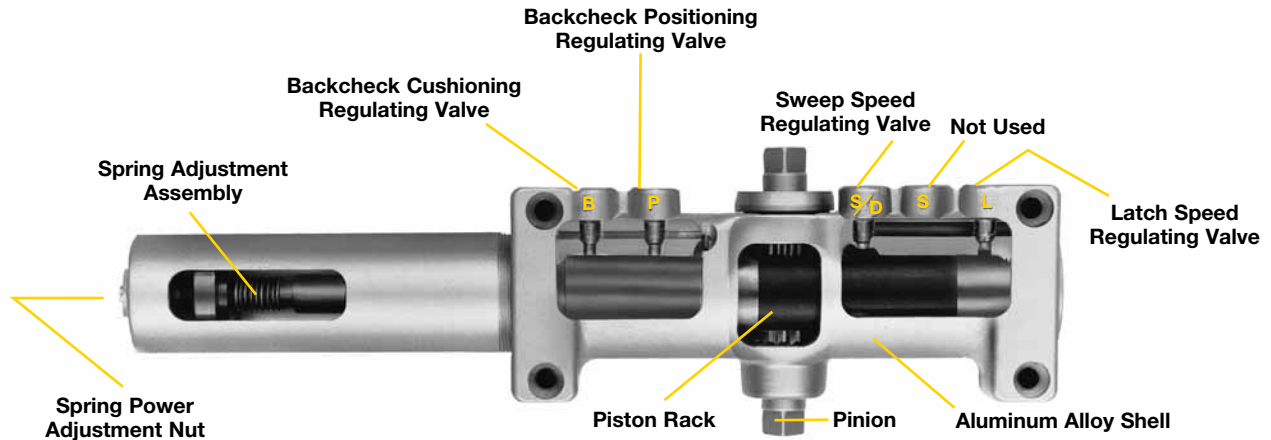
	SCR4400, SCP4400	SCR400, SCP400
Adjustable spring sizes 1 through 6	X	—
Sized springs 2,3,4,5,6 with 50% power adjustment	—	X

contents




Introduction	2
Compliance Standards	3
How To Order	4-5
Fasteners & Finishes.....	6
Features	7-8
Specifications	9
Applications.....	10
Technical Details	11-16
Accessories.....	17-19
Parts List	20-25

overview

**Cutaway view
(without delayed action)**



compliance standards

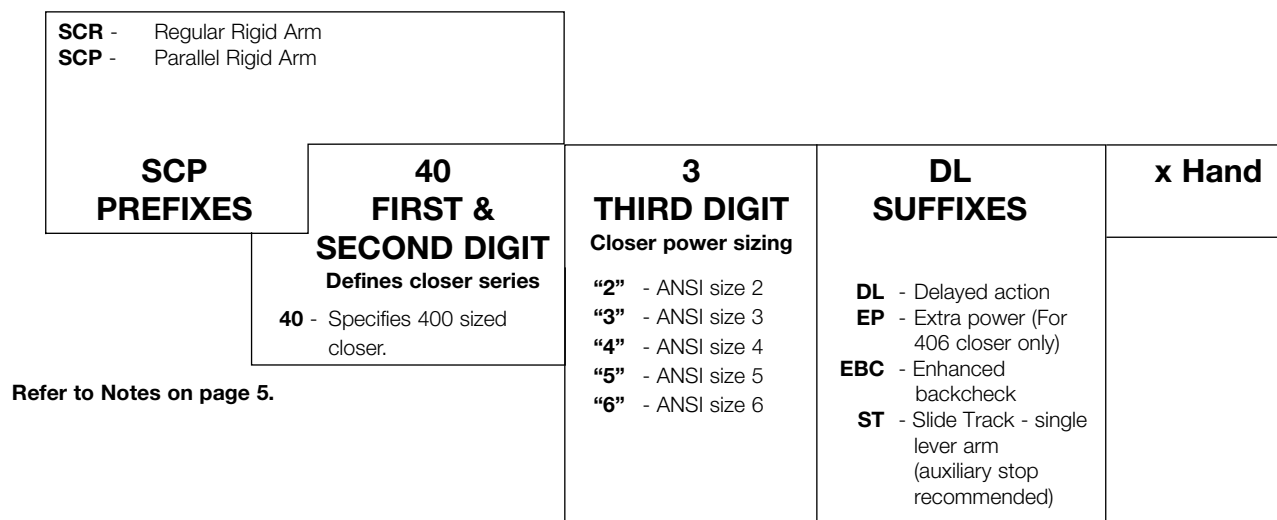
All series SC400/SC4400 closers are ANSI/BHMA A156.4, Grade 1 certified.   Closers with non-hold open arms are listed by Underwriters' Laboratories for labeled fire doors. This includes compliance to UL10C and for 3-hour assemblies.  The series SC4400 door closers can be adjusted to comply with requirements of the Americans with Disabilities Act (A.D.A.) and ANSI standard A117.1. The product is manufactured in an ISO 9001 facility. These closers are also listed by the New York City Materials and Equipment Acceptance Division.

CAUTION: Door Closers for Low Opening Force Applications: Door closers installed in openings required to meet the requirements of The Americans with Disabilities Act or ANSI Standard A117.1, when adjusted to meet those requirements, may not provide adequate closing power to dependably close and latch the door.

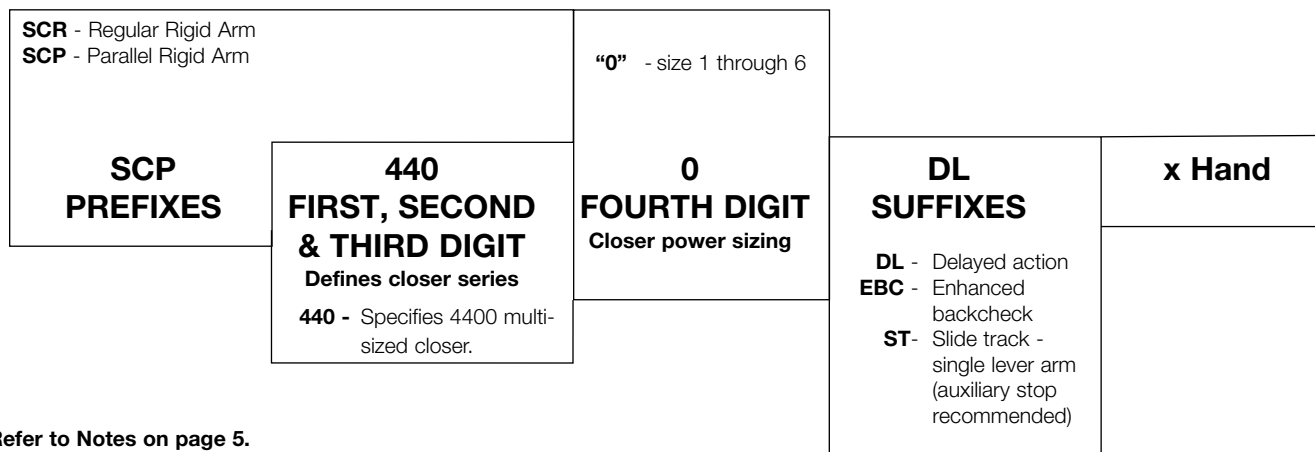
how to order

For optimum protection of door and frame assemblies, always use auxiliary wall, floor, or overhead door stop.

SCR400, SCP400 closer chart

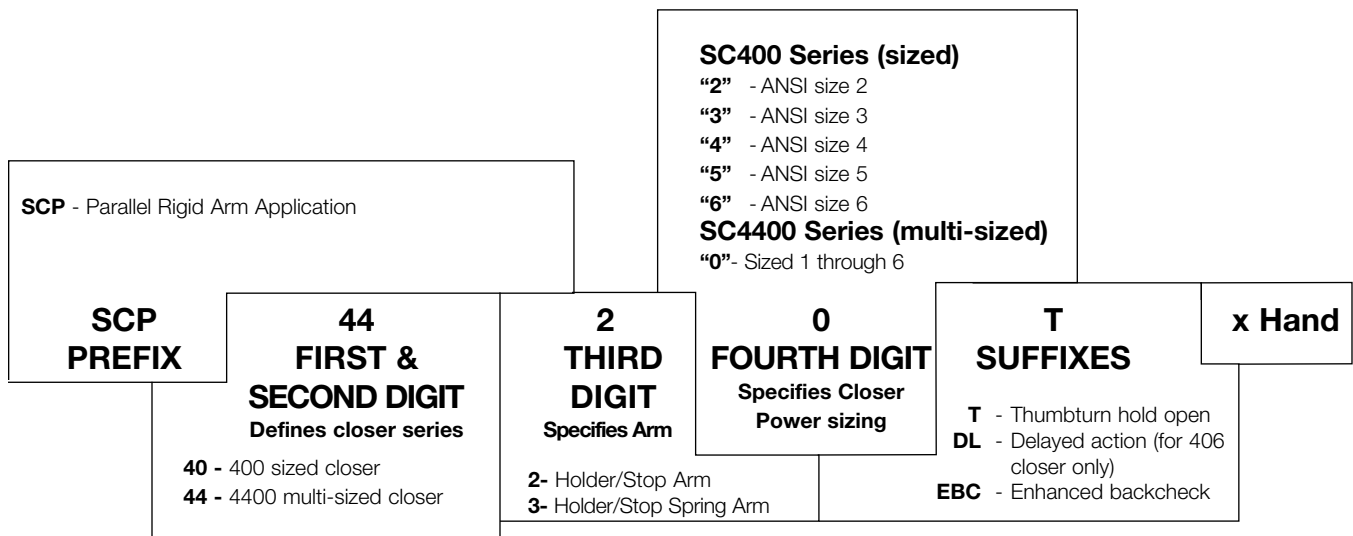


SCR4400, SCP4400 closer chart



how to order

holder/stop and holder/stop spring arms



Notes:

- Door closer warranty becomes void if it is installed on the exterior side of a door in the exterior wall of a building.
- It is strongly recommended, and it is required on most fire door assemblies, that doors having a door closer be hung on ball-bearing or anti-friction hinges or pivots.
- Failure to use the correct type and size fasteners may void factory warranty.
- Fasteners for fire/smoke door assemblies must conform to NFPA 80. In some applications additional fasteners may be mandated by NFPA 80 that are not shipped with Yale's standard product, such as sleeve-nuts/sex-nuts or through-bolts and grommet nuts.
- The Torx® drive screws (with security pin), provided with the SC400/SC4400 door closers, are only available with machine screw threads.
- Contact factory if door weight exceeds 250 lbs.

fasteners and finishes

fasteners

- Lobular Torx® drive screws for tamper resistance are standard with SCR400, SCP400, SCR4400, SCP4400 closers. These screws are only offered with machine threads for fastening to metal doors and frames. #14-10 wood or sheet metal fasteners, if required, must be supplied by others.
- Parallel Rigid, Holder/Stop and Holder/Stop Spring arms are shipped standard with sleeve nuts (SN) and self-drilling screws.

finishes

Product will be painted with a combination of waterborne acrylic and polyester powder coat. Closers will withstand 100 hours of salt spray. ANSI requires 25 hours.

Sprayed Finishes

Description	Specify (BHMA) Designation	Complements the following finishes	Old Designation
Aluminum	689	625, 628, 629, 630, 651, 652	SB
Statuary Bronze	690	613, 640	STAT
Dull Bronze	691	612, 637, 639	BL
Black	693	315	315
Medium Amber	694	312	312
Gold	696	605, 606, 632, 633	GB
Prime Coat*	600	—	SRI

* 600 is a special rust inhibiting prime coat. Closers can be ordered prime coat only (specify closer x 600). An additional charge applies if finish coat is required over prime coat (ex: SC4400 x 600 x 689).

Plated Finishes

Description	Specify (BHMA) Designation	Old Designation
Bright Brass	605E	US3
Satin Brass	606E	US4
Bright Bronze	611E	US9
Satin Bronze	612E	US10
Oxidized Oil Rubbed Bronze	613E	US10B
Bright Chrome	625E	US26
Satin Chrome	626E	US26D

Finishes other than those listed above may be available on special order. A sample will be required.

When a plated finish is ordered, arm and cover will be plated unless "cover only" is specified.

features

Aluminum Alloy Housing

Closer bodies are constructed of a special aluminum alloy, carefully selected to accommodate interactive steel components and operating conditions.

Rack & Pinion Operation

Provides a smooth constant control of the door through its full opening and closing cycle. 180° door swing can be achieved when door, frame, hardware and arm function do not interfere.

Handed

All security closer covers are handed (closer cover must match hand of door).

Sweep Speed Control Valve

Allows adjustment of door speed from the door's full open position down to approximately 5° from the closed position.

Latch Speed Control Valve

Allows adjustment of door speed from approximately 5° down to the door's fully closed position.

Non-Critical Control Valves

All control valves for sweep speed, latch speed and backcheck cushioning are non-critical and are adjusted by a standard 1/8" (3mm) hex wrench.

Adjustable Backcheck Cushion Valve

Provides control of the door in the opening cycle, beginning at approximately 75° of door opening. It cushions the door opening when the door is forcibly opened beyond its pre-adjusted limits.

Adjustable Backcheck Position Valve

Allows the door opening position, where backcheck cushioning begins, to be adjusted to a greater door angle, up to a maximum of 20° farther (approximately 95°).

Security Cover

Supplied standard with all series SC400/SC4400 door closers. This deep drawn steel cover is handed for all applications. The cover is fastened to the closer body at four points; two at the top and two at the bottom.

Warranty

These closers carry a limited ten-year warranty against defect, and life of the building on the aluminum housing.

Closer Fluid

Specially formulated multi-viscosity hydraulic fluid contains lubricity and anti-oxidation agents that provide optimum performance and efficiency. This fluid complements the interaction of the door closer's aluminum housing with its steel and brass components, while maintaining stable viscosity to allow the door closer to perform in temperatures ranging from extremely high to as low as -40° F.

Door Closer Power Options Series SCR/SCP400 Sized Door Closer

Available in five different power sizes (2, 3, 4, 5 or 6). Each power size is adjustable up to 50% stronger than the minimum closing force for that size, as outlined in ANSI/BHMA standard A156.4.

Series SCR/SCP4400 Multi-Sized Door Closer

Adjustable through the entire power range of door closer sizes 1 through 6, as outlined in ANSI/BHMA standard A156.4.

The series SCR/SCP4400 also conforms to the minimum opening force requirements of the Americans with Disabilities Act (A.D.A.) and ANSI/BHMA standard A117.1 for interior doors.

optional features

delayed action

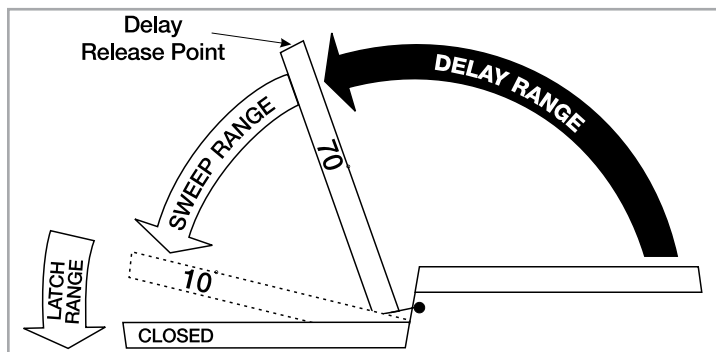
Adjustable Delayed Action Closing

An optional hydraulic feature that adds a third speed range to the closing cycle. This feature becomes effective when the door is opened and released at any point beyond 70°. The amount of time delay depends upon the combination of the angle of door release and valve adjustment. The valve can be adjusted with a 1/8" (3mm) hex key from no delay time up to maximum delay times of:

Door Opened and Released at	Approximate Time of Delay Cycle
180°	4-5 minutes
120°	2-3 minutes
120°	25-30 seconds

Pressure Relief Safety Valve

The delayed action hydraulic system contains a pressure relief valve. Any time the door is forced toward the closed direction while it is in the closing cycle, the valve will open and permit the door to close. This prevents damage to door, frame and closer.



Suggested Applications

Delayed Action closing allows slow-moving traffic to clear the opening before the door closer's normal closing cycle begins. This feature can be helpful in health care facilities such as hospitals and nursing homes. It provides sufficient time for persons on crutches or in wheelchairs to pass through a door without concern of it closing. At the same time, it can accommodate the facility's staff with movement of food service carts, beds, and other wheeled traffic.

Use of delayed action closers on many doors throughout industrial and commercial buildings can also assist the flow of traffic. Locations where additional time to clear the opening is advantageous are doors between office and factory/warehouse facilities, doors to workshops or laboratories, to kitchen and food processing areas.

arms

Non-Hold Open

Self-closes door every time door is opened. Auxiliary stop (by others) required except when using the Holder/Stop or Holder/Stop Spring arms.

Hold Open

Achieved by means of ball and detent/roller. Ball and detent or roller hold open is effective in a range of 85° to 110°.

Hold open arm door closers are not permitted to be used on fire door assemblies.

Arm Function	Regular Rigid Arm	Parallel Rigid Arm	Holder/Stop Arm	Holder/ Stop Spring Arm
Non-Hold Open	✓	✓	85° to 110°	85° to 110°
Hold Open	—	—	85° to 110°	85° to 110°

✓ = 180° trim and template permitting

suggested specifications

SC4400 Series

Closers for interior and exterior doors shall be full rack-and-pinion type with cast aluminum alloy body. Closers shall be surface mounted and shall project no more than 2-3/16" (56mm) from the surface of the door. Closers shall be reversible but supplied with a handed metal cover. Closer fluid shall contain lubricity and anti-oxidation agents. Closer fluid shall maintain stable viscosity to allow door closer to perform in temperatures ranging from extremely high to as low as -40°F. Closers shall have multi-size spring power adjustment to permit setting of spring from size 1 through size 6. Closers shall have two non-critical valves, hex key adjusted, to independently regulate sweep and latch speed. Closers shall have backcheck cushioning beginning at 15° of door opening controlled by a hex key adjustable valve. (Closers shall have backcheck position controlled by a hex key adjustable valve.)

[Closers shall have adjustable delayed-action closing controlled by a hex key adjustable valve.]

**Closers shall be enclosed in a [plated] [sprayed] metal cover. Closers to be Yale® [SCR4400, SCP4400]. Covers shall be fastened to the body at four points, two at the top and two at the bottom to prevent prying.

**For special arms insert the appropriate specification from column three on this page.

SC400 Series

Closers for interior and exterior doors shall be full rack-and-pinion type with cast aluminum alloy shell. Closers shall be surface mounted and shall project no more than 2-3/16" (56mm) from the surface of the door. Closers shall be reversible but supplied with a handed metal cover. Closer fluid shall contain lubricity and anti-oxidation agents. Closer fluid shall maintain stable viscosity to allow door closer to perform in temperatures ranging from extremely high to as low as -40°F. Closers shall have power adjustment to permit a 50% increase in power over the minimum closing force for each size. Closers shall have two non-critical valves, hex key adjusted, to independently regulate sweep and latch speed. Closers shall have backcheck cushioning beginning at 15° of door opening controlled by a hex key adjustable valve. (Closers shall have backcheck position controlled by a hex key adjustable valve.)

[Closers shall have adjustable delayed action closing controlled by a hex key adjustable valve.]

**Closers shall be enclosed in a [plated] [sprayed] metal cover. Closers to be Yale [SCR400, SCP400]. Covers shall be fastened to the body at four points, two at the top and two at the bottom to prevent prying.

**For special arms insert that specification here (see column three on this page).

**Holder/Stop Arm

Door closers shall have built-in door stop [and holder] effective at one point selected at installation, from 85° - 110° in five-degree increments. Door stop mechanism shall be reversible and attached to soffit plate. [Hold open mechanism shall have engage/disengage selection actuated by thumbturn.] Closers shall be provided for parallel arm installation using rigid steel main and secondary arms (SCP4020)(T), (SCP4420)(T).

**Holder/Stop Spring Arm

Door closers shall have built-in door stop [and holder] effective at one point selected at installation, from 85° - 110° in five-degree increments. Door stop mechanism shall have a buffer spring that engages prior to the dead stop feature, reducing shock loads to the door and frame assembly. Door stop mechanism shall be reversible and attached to soffit plate. [Hold open mechanism shall have engage/disengage selection actuated by thumbturn.] Closers shall be provided for parallel installation using rigid steel main and secondary arms (SCP4030)(T), (SCP4430)(T).

applications

regular rigid arm

This double lever arm features a non-adjustable secondary arm. Orbitally riveted joints prevent tampering or disassembly. The rigid heavy-duty arm is standard with the security closers featuring a regular arm application.

Auxiliary door stop required. Available non-hold open only.



SCR400/SCR4400

parallel rigid arm

An enhanced variation of the standard parallel arm assembly that is intended for use in heavy traffic areas where auxiliary door stops are installed.

Auxiliary door stop required. Non-hold open only.



SCP400/SCP4400

holder/stop arm

Similar to the Parallel Rigid arm, this arm incorporates a stop at the arm's soffit plate to dead stop the door at a predetermined degree of door swing between 85° and 110°, in 5° increments. Prior to dead stop the door closer's backcheck feature slows the door speed to reduce the impact of the stop action.

Holder/Stop arm is intended for use where an auxiliary door stop cannot be utilized and no more than moderate abuse is anticipated.

Thumbturn hold open available. (Hold open strength is adjustable.)



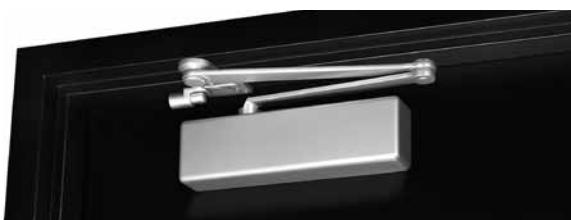
SCP4020T/SCP4440T

holder/stop spring

This heavy-duty stop arm includes all of the features of the Holder/Stop Arm, plus an added buffer spring that is compressed prior to the arm hitting the dead stop point. This greatly reduces the shock of the stopping action that occurs with the Holder/Stop arm.

Holder/Stop Spring Arm is intended for use where an auxiliary door stop cannot be utilized and no more than moderate abuse is anticipated.

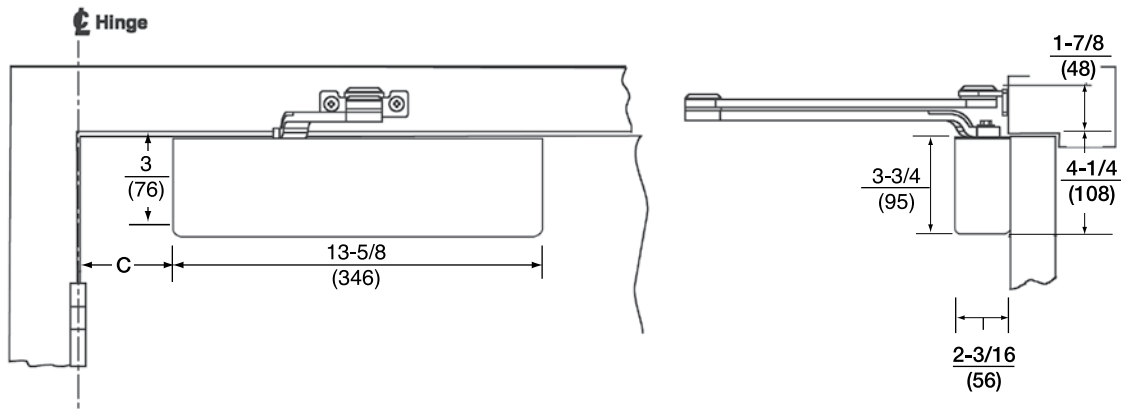
Thumbturn hold open available. (Hold open strength is adjustable.)



SCP4030T/SCP4430T

technical details

regular rigid arm



Mounting holes for closer body are spaced 2-3/8" (60mm) vertically x 6-3/4" (171mm) horizontally.

C Template Position			
0° to 100°	101° to 120°	121° to 150°	151° to 180°
6-3/8" (162mm)	5-3/8" (137mm)	3-3/8" (86mm)	3-1/8" (79mm)

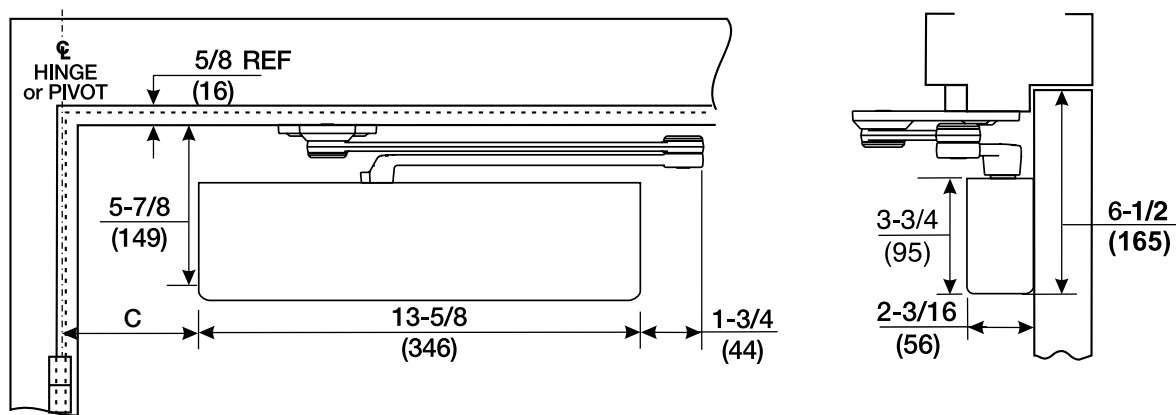
Maximum Door Width Inches (cm)		Model Number	
		Sized Closers	Multi-Sized Closers
Interior	Exterior	Non-Hold Open	
36" (91)	30" (76)	SCR402	SCR4400
42" (107)	36" (91)	SCR403	
46" (117)	42" (107)	SCR404	
54" (137)	48" (122)	SCR405	
—	52" (132)	SCR406	

Note: SC4400 door closers are set at midpower range from the factory and can be adjusted for door sizes noted above.

Sizing charts are based on 1-3/4" (44mm) x 7'0" (2.13m) standard weight doors swinging to 110°. Other conditions (such as door height or weight, or wind/draft conditions) may require a larger size closer.

technical details

parallel rigid arm



Mounting holes for closer body are spaced 2-3/8" (60mm) vertically x 6-3/4" (171mm) horizontally.

C Template Position		
0° to 100°	101° to 120°	121° to 180°
8-1/8" (206)	7-1/8" (181)	6-1/8" (156)

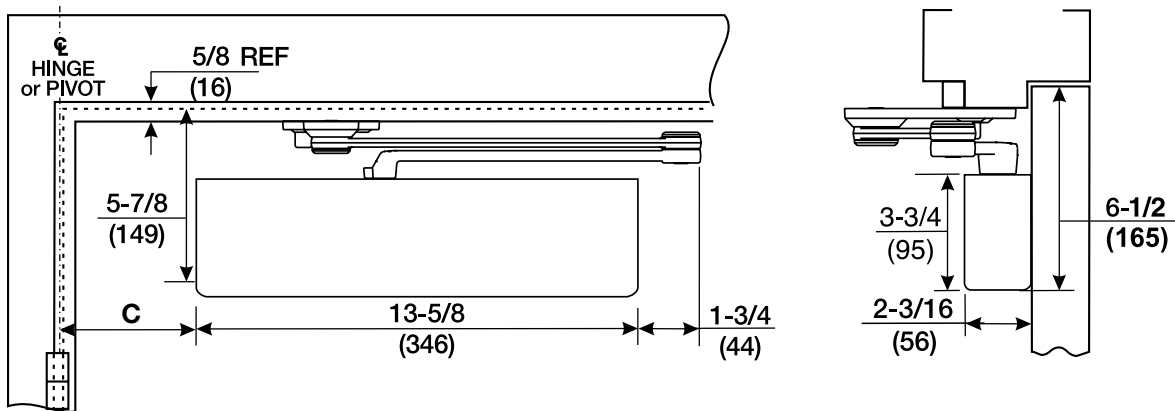
Maximum Door Width Inches (cm)		Model Number	
		Sized Closers	Multi-Sized Closers
Interior	Exterior	Non-Hold Open	
30" (76)	—	SCP402	SCP4400
36" (91)	32" (81)	SCP403	
42" (107)	36" (91)	SCP404	
48" (122)	42" (107)	SCP405	
—	48" (122)	SCP406	

Note: SC4400 door closers are set at midpower range from the factory and can be adjusted for door sizes noted above.

Sizing charts are based on 1-3/4" (44mm) x 7'0" (2.13m) standard weight doors swinging to 110°. Other conditions (such as door height or weight, or wind/draft conditions) may require a larger size closer.

technical details

holder/stop arm



Mounting holes for closer body are spaced 2-3/8" (60mm) vertically x 6-3/4" (171mm) horizontally.

C Template Position for Hold Open or Stop at Listed Angle (mm)					
85°	90°	95°	100°	105°	110°
9-5/8 (244)	8-3/4 (222)	8-1/4 (210)	7-3/8 (187)	6-7/8 (175)	6-1/4 (159)

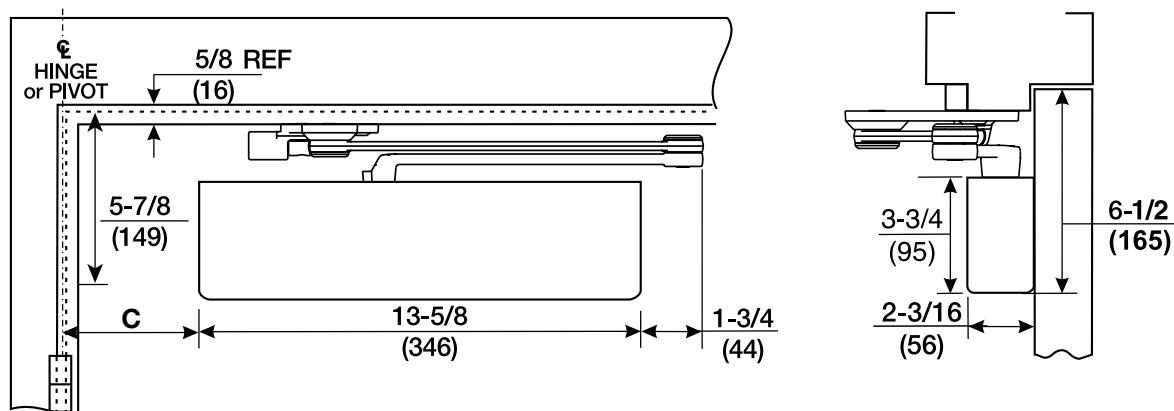
Maximum Door Width Inches (cm)		Model Number			
		Sized Closers		Multi-Sized Closers	
Interior	Exterior	Non-Hold Open	Hold Open	Non-Hold Open	Hold Open
30" (76)	—	SCP4022	SCP4022T	SCP4420	SCP4420T
36" (91)	32" (81)	SCP4023	SCP4023T		
42" (107)	36" (91)	SCP4024	SCP4024T		
48" (122)	42" (107)	SCP4025	SCP4025T		
—	48" (122)	SCP4026	SCP4026T		

Note: SC4400 door closers are set at midpower range from the factory and can be adjusted for door sizes noted above.

Sizing charts are based on 1-3/4" (44mm) x 7'0" (2.13m) standard weight doors swinging to 110°. Other conditions (such as door height or weight, or wind/draft conditions) may require a larger size closer.

technical details

holder/stop spring



Mounting holes for closer body are spaced 2-3/8" (60mm) vertically x 6-3/4" (171mm) horizontally.

C Template Position for Hold Open or Stop at Listed Angle (mm)					
85°	90°	95°	100°	105°	110°
9-5/8 (244)	8-3/4 (222)	8-1/4 (210)	7-3/8 (187)	6-7/8 (175)	6-1/4 (159)

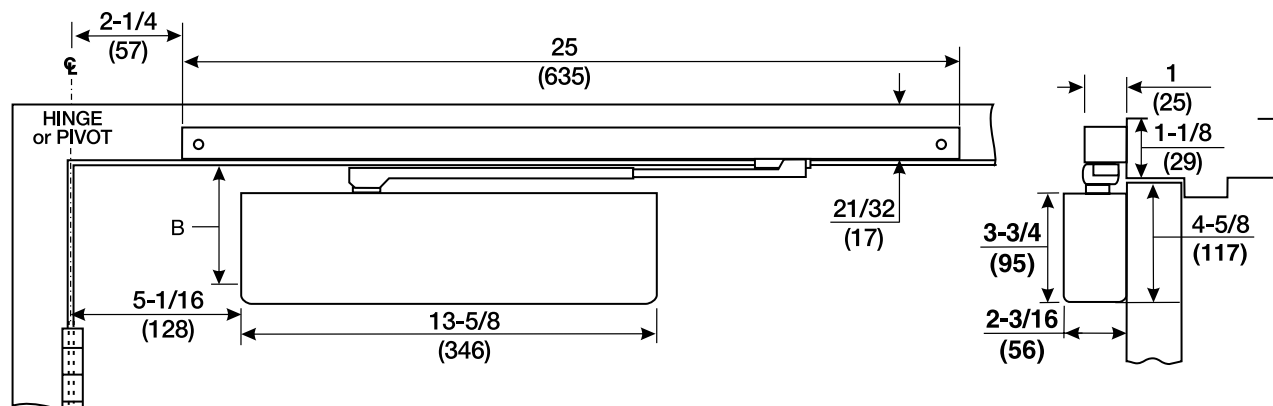
Maximum Door Width Inches (cm)		Model Number			
		Sized Closers		Multi-Sized Closers	
Interior	Exterior	Non-Hold Open	Thumbturn Hold Open	Non-Hold Open	Thumbturn Hold Open
30" (76)	—	SCP4032	SCP4032T	SCP4430	SCP4430T
36" (91)	32" (81)	SCP4033	SCP4033T		
42" (107)	36" (91)	SCP4034	SCP4034T		
48" (122)	42" (107)	SCP4035	SCP4035T		
—	48" (122)	SCP4036	SCP4036T		

Note: SC4400 door closers are set at midpower range from the factory and can be adjusted for door sizes noted above.

Sizing charts are based on 1-3/4" (44mm) x 7'0" (2.13m) standard weight doors swinging to 110°. Other conditions (such as door height or weight, or wind/draft conditions) may require a larger size closer.

technical details

pull side slide track



Mounting holes for closer body are spaced 2-3/8" (60mm) vertically x 6-3/4" (171mm) horizontally.

B Minimum Top Rail of Door with Frame Stop	
Without Drop Plate	With 486 Drop Plate
3-1/2" (89mm)	2" (51mm)

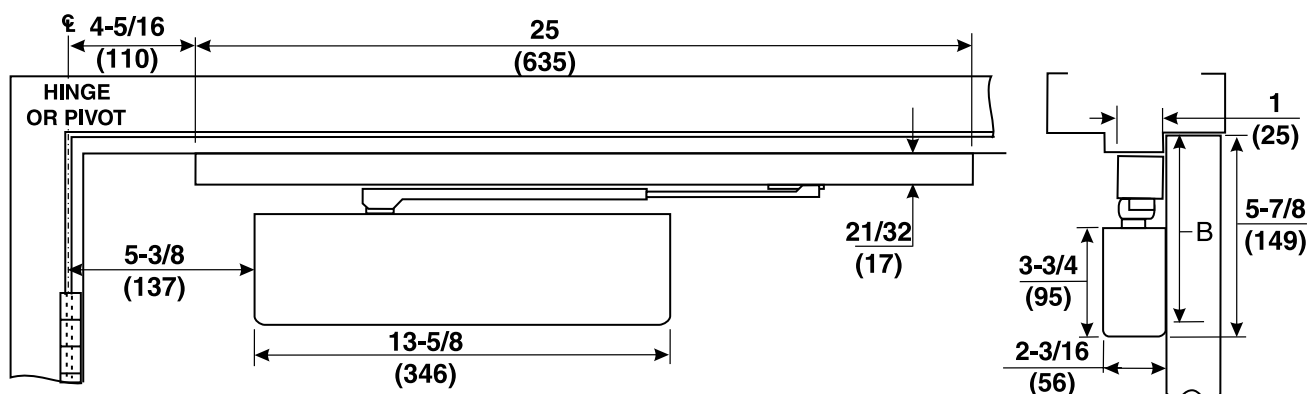
Maximum Door Width Inches (cm)	Model Number	
	Sized Closers	Multi-Sized Closers
Interior	Non-Hold Open	
32" (81)	SCR404ST	SCR4400ST
38" (97)	SCR405ST	
48" (122)	SCR406ST	

Note: SC4400 door closers are set at midpower range from the factory and can be adjusted for door sizes noted above.

Door will swing up to 110° with buffer. Without buffer, door will swing to 180°. Auxiliary stop required for all applications.

technical details

push side slide track



Mounting holes for closer body are spaced 2-3/8" (60mm) vertically x 6-3/4" (171mm) horizontally.

B Minimum Top Rail of Door with Frame Stop	
Without Drop Plate	With 488 Drop Plate
5-1/4" (133mm)	3-5/8" (92mm)

Maximum Door Width Inches (cm)	Model Number	
	Sized Closers	Multi-Sized Closers
Interior	Non-Hold Open	
32" (81)	SCP404ST	SCP4400ST
38" (97)	SCP405ST	
48" (122)	SCP406ST	

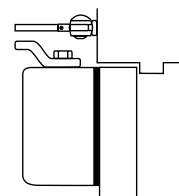
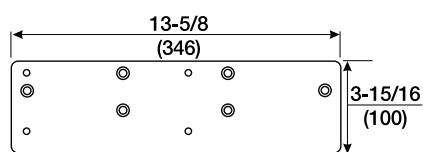
Note: SC4400 door closers can be adjusted for door sizes noted. Multi-size closers are set at mid power range from the factory.

Maximum degree of door swing is 125°. Auxiliary stop required for all applications.

accessories

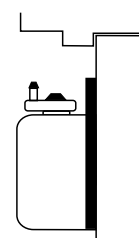
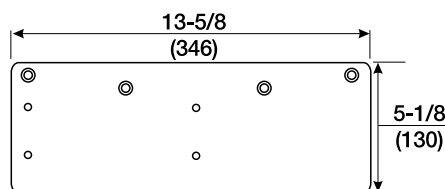
regular rigid arm closer mounting plate (all parallel arm applications)

Narrow Top Rail - #486 Drop Plate: For use where the narrow top rail of the door prevents the closer from being mounted directly to the door surface. This drop plate must be used for a closer mounted on a top rail between 1-7/8" and 3-3/8" (48 and 86mm) in height.



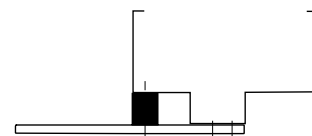
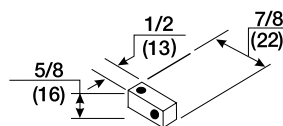
parallel rigid arm closer mounting plate

Narrow Top Rail - #488 Drop Plate: For use where a narrow top rail prevents the closer from being mounted directly to the door surface. This drop plate can be used to mount a closer on a top rail as narrow as 2-1/2" (64mm) in height.



parallel rigid arm brackets

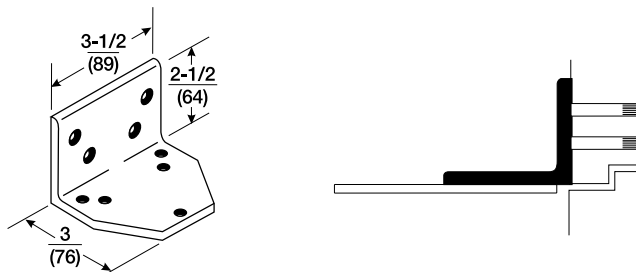
Standard - #293S Spacer Block: For use where a narrow frame soffit does not provide adequate support for the soffit plate. Supplied as standard with all parallel rigid arm closers.



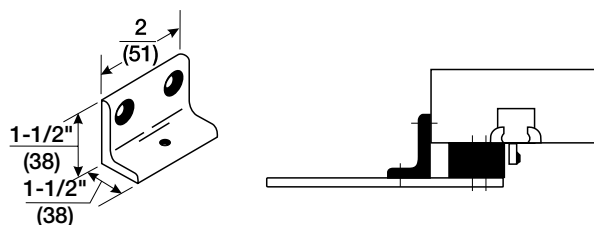
accessories

parallel rigid arm brackets

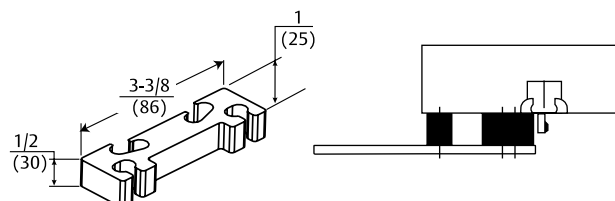
Parallel Arm - #293L Drop Plate: For use where a narrow top rail prevents the closer from being mounted directly to the door surface. This drop plate can be used to mount a closer on a top rail as narrow as 2-5/8" (57mm).



Narrow Frame - #890 Support Bracket: For use where the frame is narrow, and the soffit plate cannot be mounted directly to the frame soffit or rabbet. Used in combination with the #891 Spacer Block on blade stop frames to provide extra support and needed clearance of the blade stop.

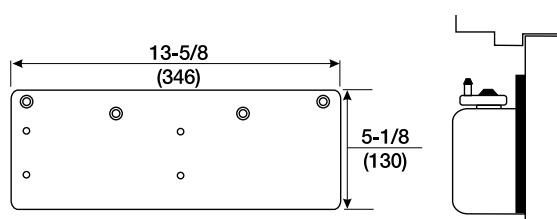


Clearance/Support Blade Stop - #891 Spacer Block: For use where the door frame has a blade stop and the soffit plate must be mounted on the frame rabbet. This accessory is used in combination with the standard spacer block to provide clearance of the blade stop.



holder/stop and holder/stop spring arm mounting plates

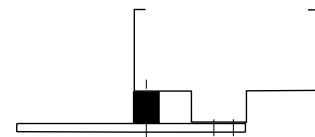
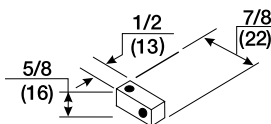
Narrow Top Rail - #488 Drop Plate: For use where a narrow top rail prevents the closer from being mounted directly to the door surface. This drop plate can be used to mount a closer on a top rail as narrow as 2-1/2" (64mm) in height.



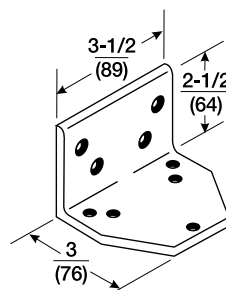
accessories

brackets (non-hold open & hold open arms)

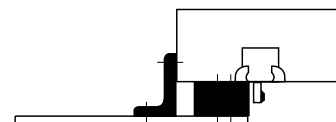
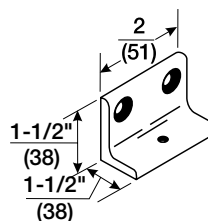
Standard - #293S Spacer Block: For use where a narrow frame soffit does not provide adequate support for the soffit plate. Supplied as standard with all parallel rigid arm closers.



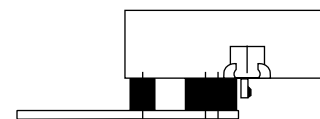
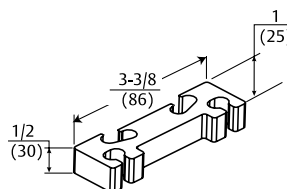
Flush Rabbeted Transom - #293L Angle Bracket: For use where flush transom conditions prevent mounting of the standard soffit plate. This bracket is used in combination with the standard soffit plate.



Narrow Frame - #890 Support Bracket: For use where the frame is narrow, and the soffit plate cannot be mounted directly to the frame soffit or rabbet. Used in combination with the #891 Spacer Block on blade stop frames to provide extra support and needed clearance of the blade stop.

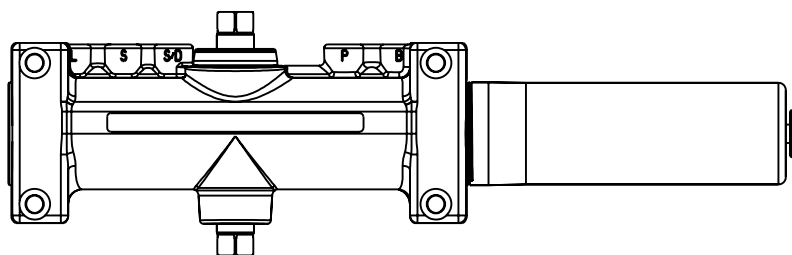


Clearance/Support Blade Stop - #891 Spacer Block: For use where the door frame has a blade stop and the soffit plate must be mounted on the frame rabbet. This accessory is used in combination with the standard spacer block to provide clearance of the blade stop.



parts list

closer body assemblies



Torx® Screw Pack*	
Arm Type	Part Number
Regular Rigid Heavy-Duty	RTX47
Parallel Rigid, Holder/Stop and Holder/Stop Spring	PRTX47

Closer Bodies	
Part Number	Description
4400LAP	Multi-Size Closer Body
4400DLLAP	With Delayed Action
40*LAP	Sized Closer Body
40*DLLAP	With Delayed Action

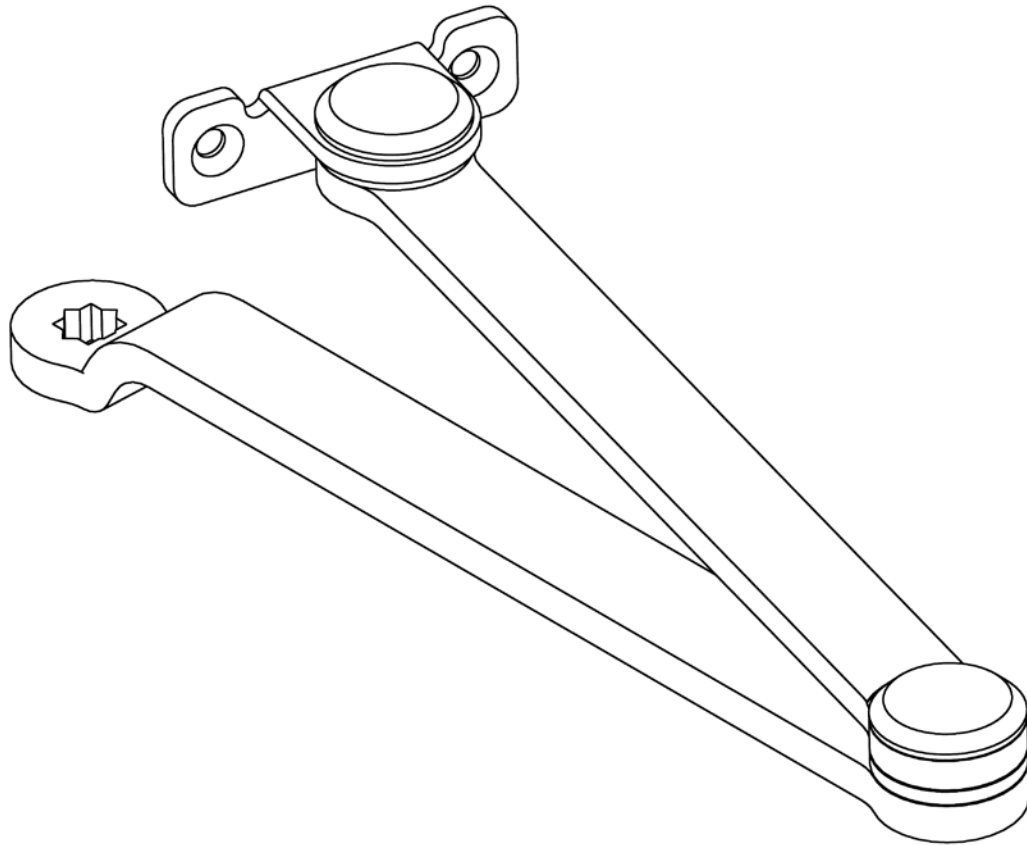
* Torx® screws with machine screw threads are supplied with security closers.

LAP = Less All Parts
* Specify power size 2, 3, 4, 5 or 6 when ordering

Covers				
Part Number	Mounting	Handing	Dimensions	Material
SC400CRR	Regular Arm	Right Hand	Length: 13-5/8" (346mm) Width: 3-3/4" (95mm) Projection: 2-3/16" (56mm)	Metal
SC400CRL		Left Hand		
SC400CPR	Parallel Arm	Right Hand		
SC400CPL		Left Hand		

parts list

regular rigid arm assembly

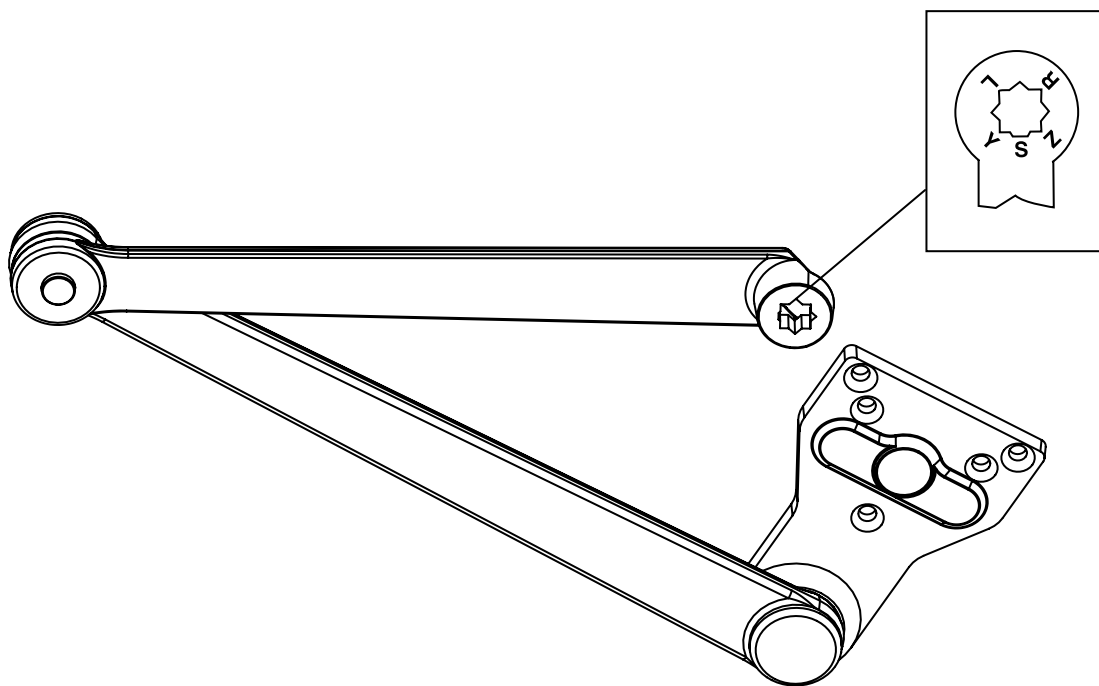


Arm Function	Complete Arm Package
Non-Hold Open	470-1

Note: Mounting hardware included with all parts orders.

parts list

parallel rigid arm assemblies



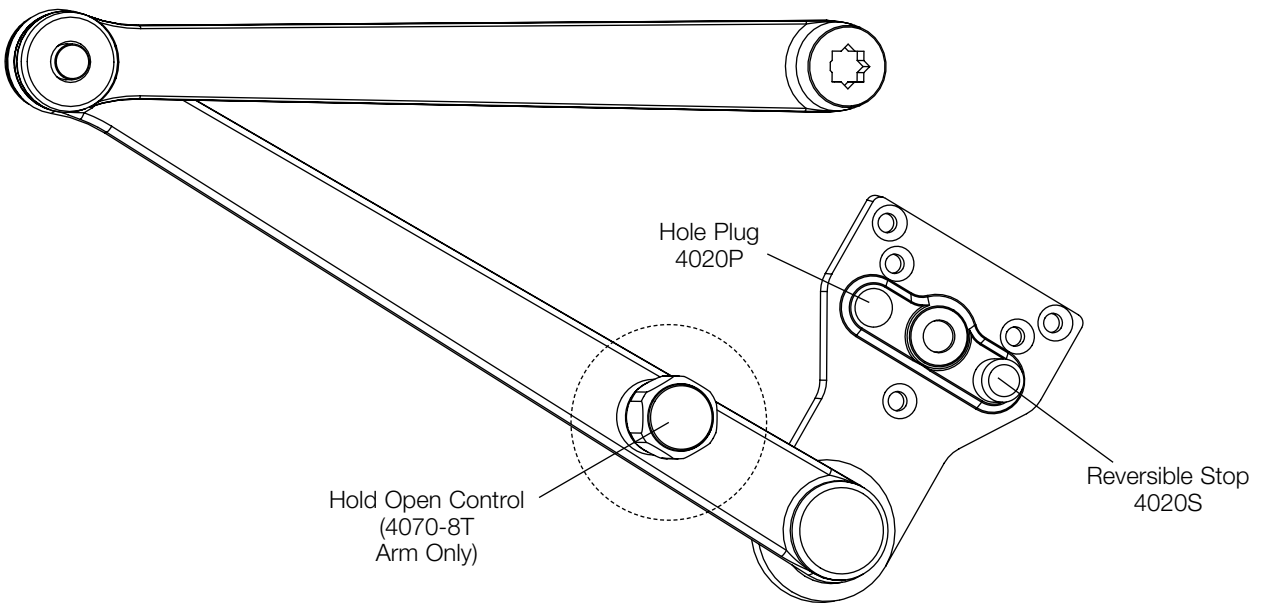
Arm Function	Complete Arm Assembly
Non-Hold Open	470-5

Note: Mounting hardware included with all parts orders.

parts list

holder/stop arm assemblies

Hold Open Arm Shown



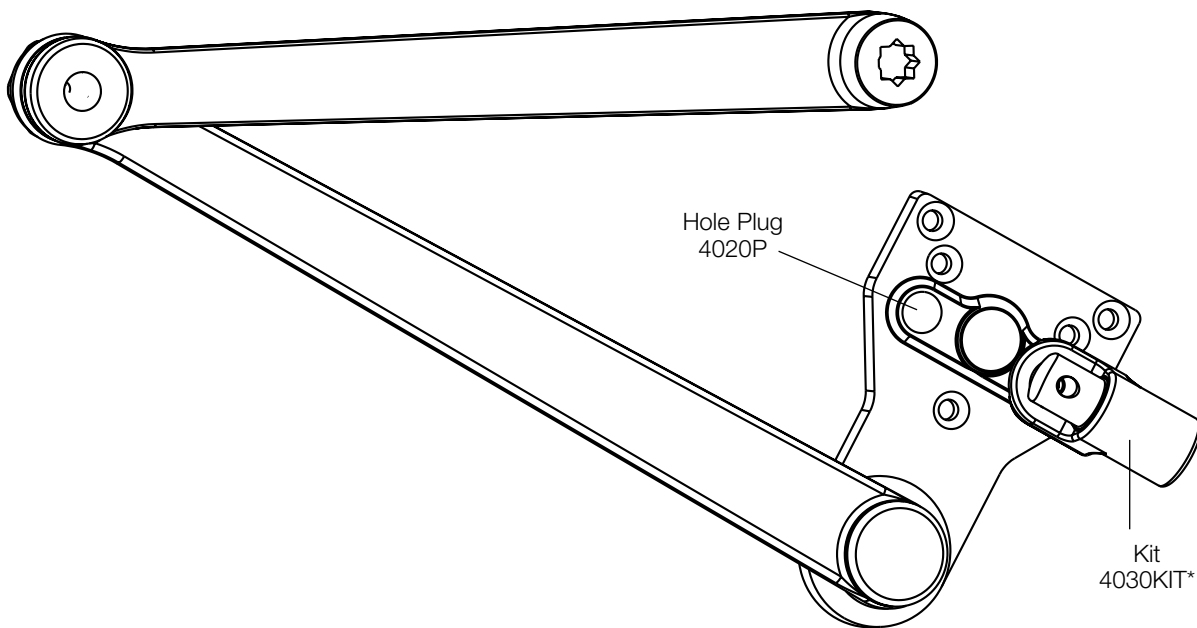
Arm Function	Complete Arm Package
Non-Hold Open	4070-5
Thumbturn Hold Open	4070-8T

Note: Mounting hardware included with all parts orders.

parts list

holder/stop spring arm assemblies

Non-Hold Open Arm Shown



Arm Function	Complete Arm Package
Non-Hold Open	SC4070-5
Thumbturn Hold Open	SC4070-8T

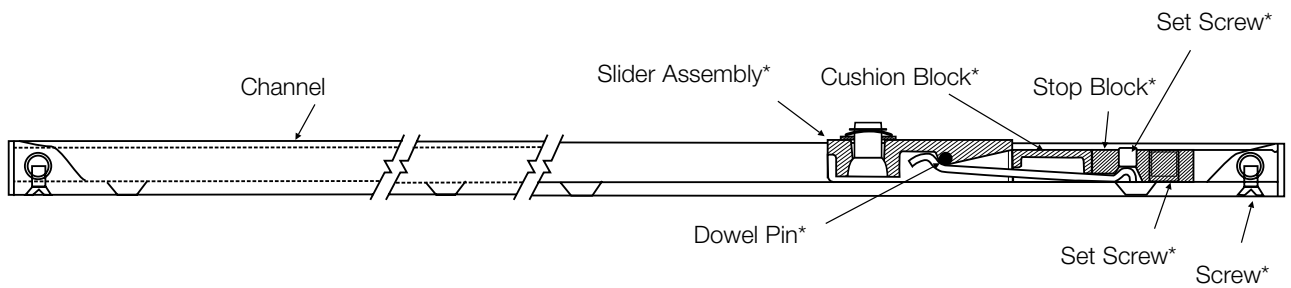
* 4030KIT can be used to upgrade 4070-5 or 4070-8T arms.

Note: Mounting hardware included with all parts orders.

parts list

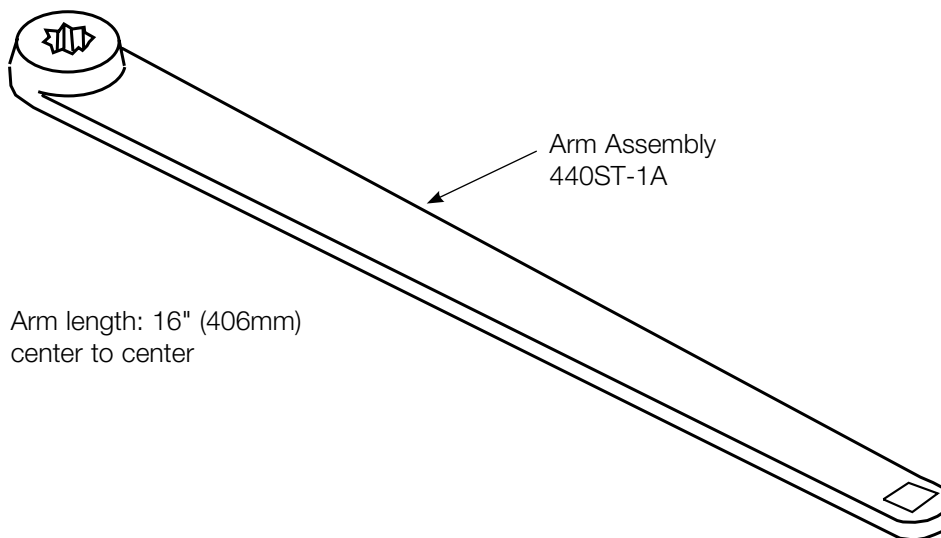
track assemblies

Non-Hold Open	
Model	Slide Track Assembly
Pull-side mounted	440ST-1T
Push-side mounted	440ST-5T



*Part of an Assembly Pack
Non-Hold Open = 400SLD

Note: Mounting hardware included with all parts orders.



Arm length: 16" (406mm)
center to center



online literature and templates

For the latest information on Yale Locks & Hardware products, visit our website at: www.yalelocks.com

Click on the "Product Information" button to find:

- Catalogs
- Parts manuals
- Templates
- Specifications
- Installation instructions

Yale® customers can click on the ebusiness symbol  on the website to register for an ebusiness account to:

- Check the status of orders
 - Check availability of Quick-Ship items
 - Track your order and confirm delivery
 - Receive email notification of template changes
- And More...

Or contact us at:

U.S.A.

Yale Locks & Hardware

Address: 100 Yale Avenue, Lenoir City, TN 37771-3226
Tel: 1-800-438-1951 • Fax: 1-800-338-0965 • www.yalelocks.com

Canada:

ASSA ABLOY Door Security Solutions Canada

Address: 160 Four Valley Drive, Vaughan, Ontario L4K 4T9
Tel: 1-800-461-3007 • Fax: 1-800-461-8989 • www.assaabloy.ca

International:

ASSA ABLOY Americas International

Tel: 1-905-821-7775 • Fax: 1-905-821-1429 • www.assaabloyai.com

Yale Locks & Hardware is a division of Yale Security Inc., an ASSA ABLOY Group company.

Yale® is a registered trademark of Yale Security Inc., an ASSA ABLOY Group company. Other products' brand names may be trademarks or registered trademarks of their respective owners and are mentioned for reference purposes only. These materials are protected under U.S. copyright laws. All contents current at time of publication. Yale Security Inc. reserves the right to change availability of any item in this catalog, its design, construction, and/or its materials. Copyright © 2001, 2011, Yale Security Inc., an ASSA ABLOY Group company. All rights reserved. Reproduction in whole or in part without the express written permission of the Yale Security Inc., an ASSA ABLOY Group company, is prohibited.

YALE, with its unique global reach and range of products, is the world's favorite lock.

ASSA ABLOY is the global leader in door opening solutions, dedicated to satisfying end-user needs for security, safety and convenience.

42105-12/11R