



eBoss®

Stand-alone Keypad Access Locks and Exit Device Trim

introduction

eBoss® battery operated stand-alone keypad locks are available in mortise, cylindrical and exit device trim versions. These motorized locks are designed to provide the industrial, commercial, residential and hospitality marketplace with reliable, competitively priced, keyless entry with or without mechanical key override for interior or exterior environments.

eBoss is both modern in design and simple to use. All programming is easily accomplished from the keypad utilizing LED guidance. Changing codes takes only seconds for an authorized user.

The mortise and cylindrical versions of eBoss are based on our proven industry leading 8800FL and 5400LN mortise and cylindrical locks. eBoss exit device trim is for use with our 7000 and 2100 series wide stile rim and SquareBolt® exit devices providing both life safety and security.

A.D.A.

The eBoss meets accessibility guidelines of the Americans with Disabilities Act and the requirements of the Uniform Federal Accessibility Standards and ANSI 117.1, all requiring ease of accessibility for the handicapped. The eBoss keypad also meets ADA 12-button telephone requirements.

ANSI/BHMA

Mortise: Certified ANSI/BHMA A156.13 Grade 1 Operational and Security

Cylindrical: Designed to meet ANSI/BHMA A156.2, Grade 1

Exit Trim: Certified ANSI/BHMA A156.3, Grade 1



iso 9001

Designed and manufactured under a certified ISO 9001 quality system.

door thickness

Supplied standard for 1-3/4" thick doors.

Mortise: fits doors to 2-1/4", specify thickness.

Cylindrical: fits doors from 1-3/4" to 2-1/4" thick featuring patented (Patent No. 6,131,970) door adjustment for 2" and 2-1/4" doors.

Exit Trim: fits doors to 2-1/2", specify thickness.

backset

2-3/4" Standard. See page 11 for optional cylindrical latchbolts.

contents

- Introduction 2
- Features & Benefits 3-4
- Operation..... 5
- Lever Designs 6
- Functions..... 6
- Dimensions..... 7
- Cylinders 8-9
- Options & Accesories 9
- Strikes & Latchbolts 10-11
- Ordering Information 12
- Sample Specification 13

finishes

ANSI/BHMA Code	Finish Description
605	Bright Brass, Clear Coated
606	Satin Brass, Clear Coated
609	Satin Brass, Blackened, Satin Relieved, Clear Coated
612	Satin Bronze, Clear Coated
616	Satin Bronze, Blackened, Satin Relieved, Clear Coated
619	Satin Nickel Plated, Clear Coated
625	Bright Chrome Plated
626	Satin Chrome Plated
693	Black Powder Coat
695	Dark Bronze Painted

Finish available with MicroShield® antimicrobial coating, additional finishes by special application. Consult factory for availability.

windstorm

Mortise and Cylindrical Hurricane are Certified (refer to local codes).

features and benefits

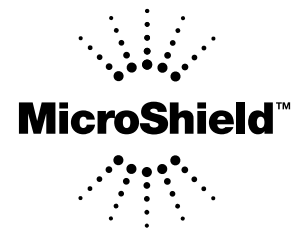
fire listings

UL - cUL Fire Label for all functions up to 3 hours.

Note: Any retrofit or other field modification to a fire rated opening can potentially impact the fire rating of the opening, and Yale Locks & Hardware makes no representations or warranties concerning what such impact may be in any specific situation. When retrofitting any portion of an existing fire rated opening, or specifying and installing a new fire-rated opening, please consult with a code specialist or local code official (Authority Having Jurisdiction) to ensure compliance with all applicable codes and ratings.

microshield®

eBoss® locks and exit device trims are available with *MicroShield* antimicrobial coating. *MicroShield* is a revolutionary hardware finish coating, using a silver ion based technology, which inhibits the growth of bacteria, algae, yeast, fungus, mold and mildew. *MicroShield* is non-toxic and lasts for the lifetime of the finish to which it is applied. To order, suffix option code "YMS".



Note: *MicroShield* coating may vary finish color from architectural standards. *MicroShield* is not intended as a substitute for traditional infection control programs such as hand hygiene or use of disinfectants. Coated products must still be cleaned to insure the surfaces will be free of destructive microbes. Yale makes no representations or warranties, express or implied, as to the efficacy of *MicroShield*.

warranty

The eBoss series keypad, printed circuit board and components are warranted to be free from defects in workmanship and materials under normal use and service for 3 years from date of delivery. In addition, the cylindrical lockset and exit device trim carries a lifetime warranty against lever sag and lever spring breakage.

mortise

cylindrical

exit trim



features and benefits

1 Keypad Blinders

Increased security from surveillance and abuse. Patent number 7,091,429.

2 3-LED Function Indicators

High intensity red, green and yellow LED's provide a visible acknowledgement of function and operation. An 85 decibel Piezo sounder provides audible acknowledgement of operation.

3 Stainless Steel Pushbuttons

Provides quality durable keypad

4 ADA Compliant, 12 Button Keypad

Familiar telephone matrix keypad allows 1000 times more combinations than typical 6 button keypads, reducing the chance of unauthorized entry by random key punching.

5 Heavy-duty All Metal Escutcheon

Provides top quality durability and vandal resistance.

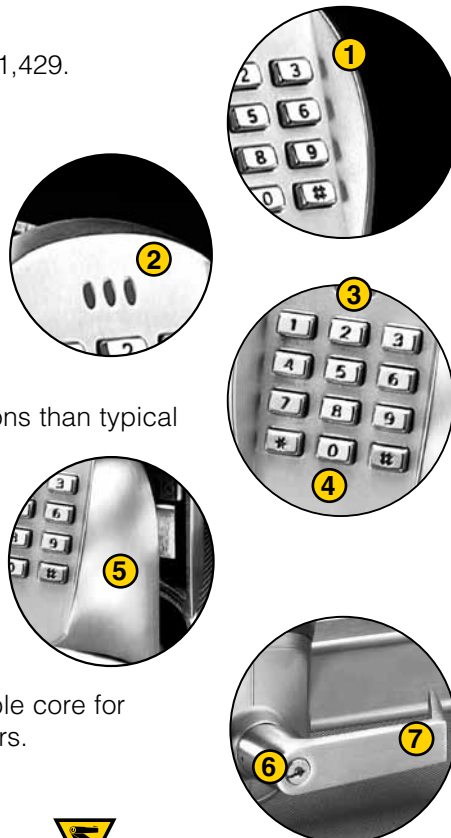
6 Accepts all Yale® cylinder options

(with modified tailpieces for cylindrical locks)

Allows integration with existing key systems, including interchangeable core for Best®, ASSA®, Medeco® and Schlage®. See pages 8 & 9 for cylinders.

7 Free Wheeling Levers

Cylindrical and exit trim only. When the outside lever is locked, it will rotate freely up and down while remaining securely locked.



Features	Benefits
Battery Operated	Standalone technology is convenient and less expensive than hard wiring. Six AA alkaline batteries typically allow a 100,000 cycles before replacement is necessary.
Two-Tier Low Battery Indicator	Visual and Audible – allows time to change batteries before unit fails to operate
Audible Pushbutton Feedback	Gives audible acknowledgement of operation (can be disabled)
Weather Resistant Keypad	Allows exterior application without gasketing. Conformal coated PCB and silicone sealed circuitry ensures protection in the harshest environments. Operational in temperatures ranging from -40°F to +140°F (-40°C to +60°C) at 95% relative humidity.
Request to Enter Input	Allows remote access capability (2 wire)
Hard Wire Input Option	9 Volt DC input allows continuous power (see page 9 for power supplies)
Non-Volatile Memory	Maintains all codes when power is lost or batteries are being changed
Modular Design	No need to replace the entire lock if keypad portion is damaged, or vice-versa
User Friendly Programming	Saves time and can be accomplished at the keypad without the use of a computer or PDA
94 User Capacity	Provides diversity and flexibility of use
Easily to retrofit and install	Easily retrofits most electromechanical locks that utilize the standard ANSI/BHMA A156.115 series preps.
Secure Design	Provides the maximum in tamper resistance with the controller board located on the secure side of the door. Interfering with or even destroying the keypad will not release the door.
Code Security	Factory master and emergency preset codes must be changed before any other codes can be programmed.

operation

basic operation

The outside lever is always locked except when the lock is in passage mode. The eBoss® allows up to 94 individual user codes to be valid. Codes may be from two to seven digits in length, and digits may be repeated. All programming is accomplished easily from the keypad utilizing LED and audible guidance. Changing codes takes only a matter of seconds for an authorized user.

- User enters a valid code (2-7 digits) followed by the [*] key.
- Lock will unlock (green LED) for a user definable duration of 1-255 seconds (default 4 seconds), then re-lock.
- If lock is in lockout mode, the yellow LED will light, indicating denied entry.

If enabled, the green LED will light upon each depression of a key and for the duration that the lock is unlocked. If the audible sounder is enabled, it will beep concurrently with the LED as keys are depressed. If an invalid code is entered, the red LED will light and an audible sound sequence of one long beep, followed by four short beeps, will indicate denied entry.

programmable features

All standard programming of the eBoss is easily performed through the keypad.

- **Master Code** – Assigns Supervisor Code and Emergency Code.
- **Supervisor Code** – Allows all programming of the controller except for changing Master Code.
- **User Codes** – Used for standard entry. 94 User Codes may be programmed into the eBoss .
- **Emergency Code** – Allows emergency entry of the lock system when the controller low battery voltage is in the “black out” condition or if the lock is in the Lockout mode.
- **Lockout Code** – Restricts User Codes from the ability to gain access. Only the Supervisor Code and Emergency code can override.
- **Passage Code** – Enables the passage feature, maintaining the lock unlocked.
- **Key Press Feedback** – Enables or disables the LED indicators or audible sound features of the lockset.
- **Factory Code Reset** – Resets all user definable functions to factory default settings. Will not reset Specialty Codes or User Codes.
- **Re-Lock Duration** – Adjusts the duration the lock remains unlocked from 1-255 seconds. Default is 4 seconds.
- **Keypad Lockout** – Deters tampering by disabling the keypad after three successive failed attempts or after 25 successive key presses without a valid code. Default is 10 seconds but user programmable from 1 to 255 seconds.

operational modes

- Secure – Normal locked state. Any assigned user code can gain access.
- Lockout – Lockset will not accept any assigned user codes except for the Supervisor and Emergency Codes.
- Passage – Unlocked state

battery replacement

The inside battery cover is easily removed for battery replacement. Each lock contains six alkaline “AA” batteries, which typically last for 100,000 cycles.

lever designs

cylindrical and exit device trim



Augusta (AU)



Monroe (MO)



Pacific Beach (PB)

mortise



Augusta (AU)



Carmel (CR)



Monroe (MO)



Pacific Beach (PB)

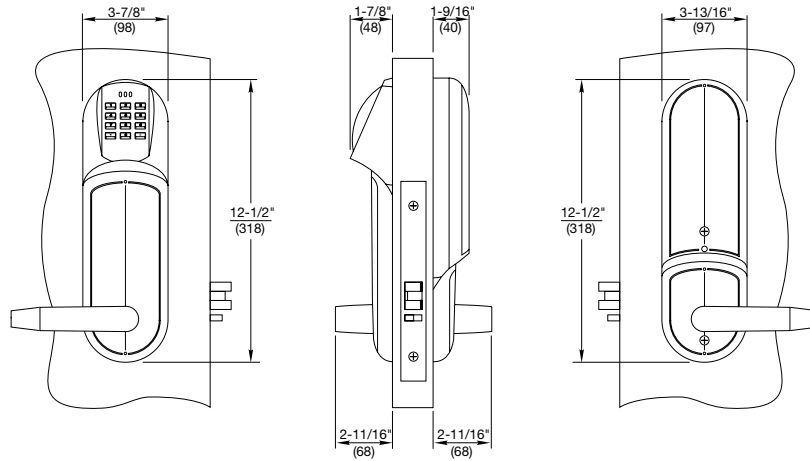
functions

Function Description	Mortise Model Numbers	Cylindrical Model Numbers	Exit Device Trim Model Numbers*
No Cylinder Override	E8850FL	E5486LN	886F
No Cylinder Override with Deadbolt	E8852FL	N/A	N/A
Single Cylinder Override	E8851FL	E5496LN	896F
Single Cylinder Override with Deadbolt	E8853FL	N/A	N/A

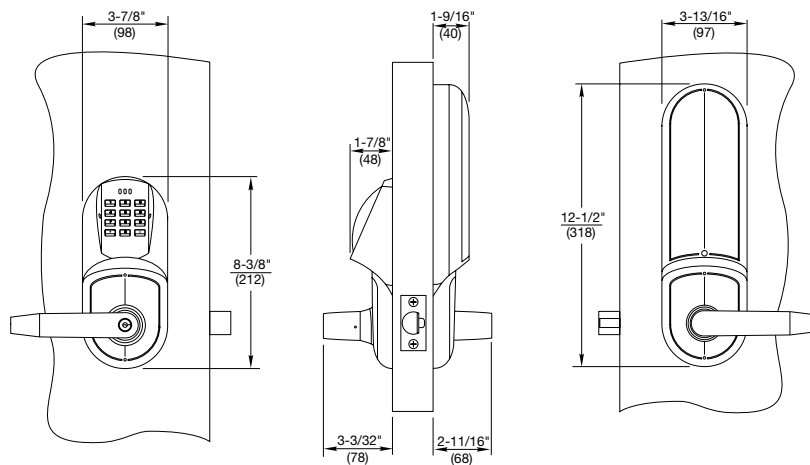
*For use with 7000 and 2100 series rim and SquareBolt® exit devices only. Not for use with vertical rod or mortise exit devices.

dimensions

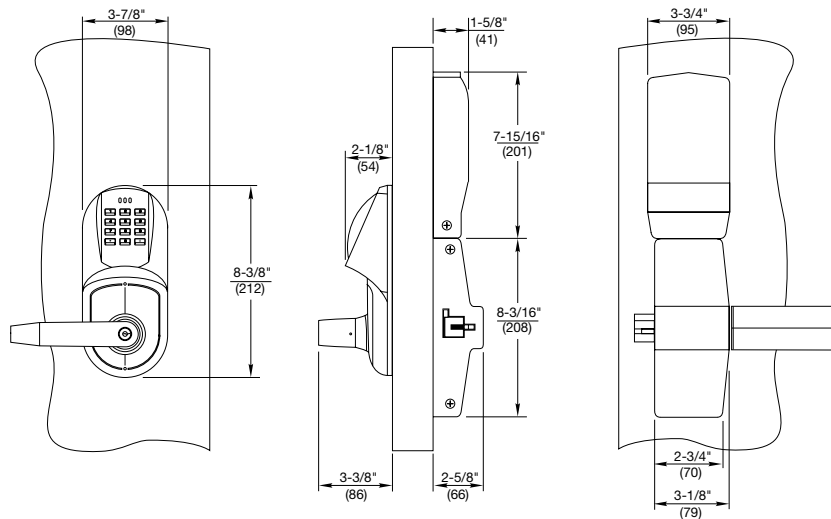
mortise



cylindrical



exit trim



Dimensions are shown in inches (millimeters).

cylinders

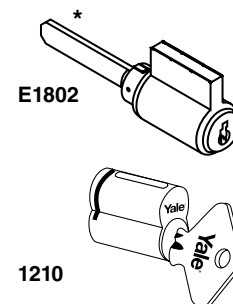
mortise cylinder options

Locking Segment	Model Number	Length	Pins	Cam	Door Thickness	
Conventional Fixed Core	2153	1-3/4"	6 or 7	2160	1-3/4"	
	2153	2"	6 or 7		2" to 2-1/4"	
Conventional Interchangeable Core	2196	1-3/4"	6		1-3/4"	
	2196	2"	6		2" to 2-1/4"	
	2197	1-11/16"	7		1-3/4"	
	2197	2"	7		2" to 2-1/4"	
Yale® KeyMark® Fixed Core	K100	1-3/4"	6 or 7		KC1	1-3/4"
	K100	2"	6 or 7			2" to 2-1/4"
Yale® KeyMark® LFIC	K820	1-3/4"	6	1-3/4"		
	K820	2"	6	2" to 2-1/4"		
	K820	1-11/16"	7	1-3/4"		
	K820	2"	7	2" to 2-1/4"		
Yale® KeyMark® SFIC	K620	1-3/4"	6 or 7	Riveted		1-3/4"
	K620		6 or 7			2" to 2-1/4"
Security Fixed Core	5153	1-3/4"	6 or 7	2160	1-3/4"	
	5153	2"	6 or 7		2" to 2-1/4"	
Security Interchangeable Core	5196	1-3/4"	6		1-3/4"	
	5196	2"	6		2" to 2-1/4"	
	5197	1-11/16"	7		1-3/4"	
	5197	2"	7		2" to 2-1/4"	

cylindrical and exit device trim cylinder options

The following selection guide indicates the correct cylinder for each locking segment.

eBoss®		Types of Cylinder Mechanisms							
		Conventional		Protected Keyway		Security		High Security	
Cylinder Types	Fixed Core	6-pin	7-pin	6-pin	7-pin	6-pin	7-pin	6-pin	7-pin
	Key-In-Lever	E1802	E1802A	EK402	EK402	E5802	E5802A	N/A	N/A
	Interchangeable Core								
	LFIC	1210	1220	K800	K800	5210	5220	N/A	N/A
SFIC	N/A	N/A	K600	K600	N/A	N/A	N/A	N/A	



*The "E" prefix for eBoss cylinders indicates a modified tailpiece. When using standard 1802, 1802A, 5802, 5802A or K402 cylinders, refer to the installation instructions for details on cutting the tailpiece. Using an incorrect tailpiece will damage the lock.

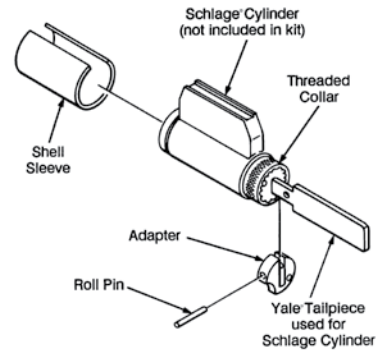
cylinders

Yale® KeyMark®

For those applications requiring protected key control, Yale® KeyMark® cylinders guard against unauthorized key duplication. The *Yale KeyMark Security Leg®* keyway feature increases resistance against picking and impressioning and can easily retrofit into existing systems. For further details and availability, refer to the separate *Yale KeyMark* catalog.

E107S Schlage® cylinder adapter kit

Used to modify Schlage® cylinder for fit in the eBoss cylindrical lock or exit device trim.



other manufacturer keyway cylinders

Illustration	Description	Model Number	Number of Pins
	Corbin Russwin "L4", Corbin "60", Russwin "D1", Sargent® "LA" or Schlage® "E" Keyway. Specify keyway. Available keyed random.	E3804*	6
	Schlage® "C" Keyway. Available 0-bitted or keyed random.	E2802	6

***E3804 cylinders require the 107S cylinder adapter kit to fit the E5496LN locksets or 896F exit trim. These cylinders are not ANSI/BHMA certified.**

levers accepting SFIC and other manufacturers' large format interchangeable cores

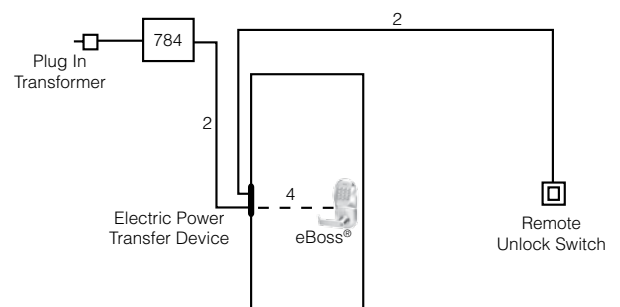
Description	Prefix	Number of Pins
SFIC (Accepts all Small Format Interchangeable Cores)	B (i.e. B-AU, B-MO, B-PB)	6 or 7
Schlage® (LFIC)	SI (i.e. SI-AU, SI-MO, SI-PB)	6
Medeco®, ASSA® (LFIC)	M (i.e. M-AU)**	6

****Medeco®, ASSA® option available only with AU lever (Note: For Medeco 32 series cores.)**

options and accessories

Description	Part Number
Optional Remote 9VDC Power Supply. Includes plug in transformer (used for hardwiring up to two eBoss locks)	784
Remote Power and Request to Enter Wire Harness (required for hardwiring)	14-5496-0212-000

hardwire option diagram





strikes

mortise

eBoss® mortise locks are supplied standard with a 2815 curved lip strike with a 1-1/4" (32mm) lip length for doors 1-3/4" (44mm) thick. Mortise lock strikes are mounted 3/8" above the center line of the lock. To determine the proper length of lip use the following formula: 1/2 of the door thickness, plus 1/16" inset, plus trim thickness, plus 1/8" for flat lip strike OR 1/4" for curved lip strike. Select the nearest available length. These strikes are non-handed.

<p>Model No. 2815 Strike (Standard) 1-1/4" curved lip supplied standard. 1-1/8", 1-3/8", 1-1/2" lip lengths available by special order.</p>	<p>Model No. 2816 Strike (Optional) Flat lip strike to special order. 1-1/8", 1-1/4" (32mm), 1-1/2"</p>	<p>718 Open Back Strike (Optional) Field handable for a standard V-beveled pair of doors with a latchbolt only function on the active door. This strike permits emergency opening of the inactive door without damaging the lock mechanism. Available for doors 1-3/4" or 2-1/4" thick only. Specify the door thickness required. Black powder coat finish (693) only.</p>

See following page for additional strike options.

cylindrical

eBoss cylindrical locksets are supplied standard with a 497 ANSI strike. A variety of options are available. All strikes are located on the same vertical and horizontal center lines as the latchbolt. Strikes are available in a variety of lip lengths to accommodate varying thickness of doors and frames. To determine the proper length of the lip, measure from the center line of the strike to the edge of the jamb and add 1/4" (6mm). All strikes are non-handed.

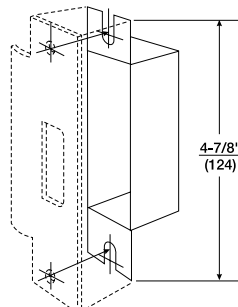
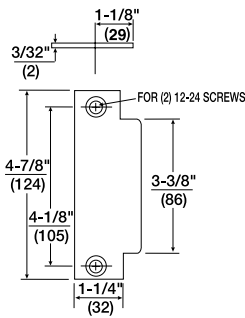
<p>Model No. 497 ANSI Strike (Standard) 1-1/4" curved lip supplied standard. 1-1/8", 1-1/2", and 1-3/4" lip lengths available by special order. For door and frames with ANSI/ BHMA A156.115 preparations.</p>	<p>Model No. 495 Strike (Optional) 1-1/4" curved lip, wrought box supplied. 1", 1-1/2", 1-3/4" and 2" curved lip lengths available by special order.</p>

See following page for additional strike options.



additional strike options

The following strikes are available as options for both mortise and cylindrical locks.

	
<p>Model No. 202 Strike Box for ANSI Strike (Optional) Available to special order. Specify 2815 x 202 or 497 x 202.</p>	<p>497B ANSI Blank Filler Plate (Optional) Reversible to replace a strike where a lock has been removed or where a frame with a strike preparation when no lock is installed on a door. Lip Lengths: 1-1/8" (29mm) only.</p>

attaching screws

(Not regularly supplied when strikes ordered separately).

For Model No. 495

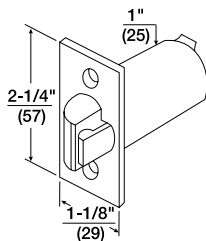
#8-8-32 x 3/4" (19mm) Phillips flat head combination wood and machine screws.
P/N 81-2012-0416

For Model Nos. 2815, 2816, 718, 497, and 497B

#12-12-24 x 1" Phillips flat head combination wood and machine screws.
P/N 81-2012-0620

Note: When ordering strike or attaching screws individually, specify the finish required; i.e. 497 x 202 x 606.

deadlocking latchbolts for cylindrical



Model No.	Front	Backset	Throw	Front Width	Latch Diameter
694	Beveled	2-3/4"	1/2"	1-1/8" (29mm)	1" (25mm)
F694	Flat	2-3/4"	1/2"	1-1/8" (29mm)	1" (25mm)
3694	Beveled	3-3/4"	1/2"	1-1/8" (29mm)	1" (25mm)
480B	Beveled	2-3/4"	3/4"	1-1/8" (29mm)	1" (25mm)
F480B	Flat	2-3/4"	3/4"	1-1/8" (29mm)	1" (25mm)
3480B	Beveled	3-3/4"	3/4"	1-1/8" (29mm)	1" (25mm)

Note: To order with lockset, specify model number. To order separately, specify model number and finish.

attaching screws

(Not regularly supplied when latchbolts ordered separately).

For all latchbolts

#8-32 x 3/4" (19mm) Phillips flat head combination wood and machine screws
Brass - P/N 81-2022-0416*
Bronze - P/N 81-2032-0416*

Hollow Metal Doors

#8 - 32 x 1" (25mm) Phillips flat head machine screw
Brass - P/N 81-0022-0420*
Bronze - P/N 81-0032-0420*

***Specify finish required.**

ordering information

These ordering examples have been created to provide guidance for specifying the proper information that should be included when submitting purchase orders for eBoss® products.

mortise ordering example

Lever Design	Function	Strike	Cylinder	Hand	Door Thickness	Finish
AU	E8851FL	2815	K100	RH	1-3/4"	626

cylindrical ordering example

Lever Design	Function	Latch	Strike	Cylinder	Door Thickness	Finish
AU	E5496LN	694	497	E1802	1-3/4"	605

exit device and trim ordering example

Yale® exit devices and trims are processed separately. To aid in order processing, the device and trim should be detailed as separate line items. These items can be ordered on one line item, but they will be entered to the factory and acknowledged separately. Standard cylinders are included with eBoss trim.

Exit Device				
Device & Function	Size	Hand	Door Thickness	Finish
7150F	-36	RHR	1-3/4"	630

eBoss Trim					
Lever Design	Function	Cylinder	Hand	Door Thickness	Finish
PB	896F	E1802	RHR	1-3/4"	630

When ordering eBoss trim together with exit devices and not specifying separately as shown above:

1. If finish for exit device and trim ordered together is specified as 625, this finish will be provided for the outside trim only. The exit device and battery cover will be provided in 629 finish.
2. If finish for exit device and trim ordered together is specified as 626, this finish will be provided for the outside trim only. The exit device and battery cover will be provided in 630 finish.
3. When ordering eBoss exit device trim with 2100 series exit devices, the finishes for the exit device and the trims must be specified separately.
4. When ordering exit devices and trim together with MicroShield®, the “YMS” option must be specified for each product to be coated.

sample specification

mortise lock

- ANSI/BHMA A156.13 Series 1000 Operational and Security, Grade 1
- FCC subpart 15B
- UL10C positive pressure for "A" 3 hour fire rated openings
- Federal Handicap and ANSI A117.1 Accessibility Code

Mortise lock shall conform to features as specified by Yale® 8800 series mortise locks.

cylindrical lock

- ANSI/BHMA A156.2 Series 4000, Grade 1
- FCC subpart 15B
- UL10C positive pressure for "A" 3 hour fire rated openings
- Federal Handicap and ANSI A117.1 Accessibility Code

Cylindrical lock shall conform to features as specified by Yale 5400LN series cylindrical locks.

exit device trim

- ANSI/BHMA A156.3, Grade 1
- FCC subpart 15B
- UL10C positive pressure for "A" 3 hour rated openings
- Federal Handicap and ANSI A117.1 Accessibility Code

Trim with concealed fasteners shall be through-bolted for use with Yale 7000 and 2100 series rim and SquareBolt® exit devices.

Trim shall be heavy duty all metal escutcheon for vandal resistance and cast levers shall be solid one piece construction without plastic inserts. Levers shall be free wheeling in the locked position. Levers that are rigid in the locked position or require resetting (break-away) are not acceptable.

general

All lock chassis shall include a motor for lock and unlock functions. All locksets shall be of a modular design to allow future upgradability and ease of installation and serviceability.

All lever designs shall be ADA compliant, chosen from manufacturer's standard lever designs.

All locksets shall fit a modified ANSI/BHMA A156.115 series door preparation for Grade 1 locks.

All locksets shall have the capacity to accept a variety of standard, interchangeable core, security and high security and protected 6-and 7-pin cylinders.

Keypad shall be of a vandal resistant, anti-pull-off design with stainless steel construction and have 12 buttons arranged in a standard telephone matrix to be compliant with federal handicap standards. Keypad shall be standard weather resistant without the need for a gasket or a separate weather resistance option. Lockset shall be capable of operating in temperatures from -40° C to +66° C and 95% relative humidity, non-condensing. Keypad shall be capable of performing 3,000,000 cycles minimum. Keypad shall have all metal vertical blinders integral with the escutcheon to protect pushbuttons from abuse and also shield pass codes during entry. Controlling electronics shall be housed on the interior side of the door for security.

Lock shall be programmable through the keypad only, without the requirement of a separate electronic device. Locks shall have key over-ride, or non-key over-ride and a 2-wire remote unlock input. Locks shall be furnished standard with 6 "AA" batteries and have non-volatile memory to save programs, settings, codes and users in the lock in the event of a complete battery drain. The standard 6 "AA" batteries shall act as a battery back-up when hard power (9VDC) is supplied. Lockset shall have a two-tiered low battery warning system to alert users of impending battery drain. Locks shall have a 9VDC power input option to allow continuous power.

Lock shall have 99 available codes: 1 Master, 1 Emergency, 1 Supervisor, 1 Lockout, 1 Passage and 94 Users. Lockset shall accommodate codes from 2 to 7 digits in length. Lock shall have three LEDs for visual indication: Green-Unlock, Red-Error, Yellow-Pushbutton Acceptance & Programming. All locksets shall not allow full programming until the master and emergency factory codes have been changed for added security. Lock shall have audible tone for the visually impaired.

All locksets shall carry a comprehensive 3 year warranty. Cylindrical and exit device trim series shall carry a lifetime warranty against lever sag and lever spring breakage.

All locksets shall be eBoss® Keypad Battery Operated E5400LN cylindrical lock series, E8800 mortise lock series and/or Trim for 7000 and 2100 series exit devices as assembled by Yale Locks & Hardware, Lenoir City, TN.

No approved substitutes.

online literature and templates

For the latest information on Yale Locks & Hardware products, visit our website at: www.yalelocks.com

Click on the "Product Information" button to find:

- Catalogs
- Parts manuals
- Templates
- Specifications
- Installation instructions

Yale® customers can click on the ebusiness symbol  on the website to register for an ebusiness account to:

- Check the status of orders
 - Check availability of Quick-Ship items
 - Track your order and confirm delivery
 - Receive email notification of template changes
- And More...

Or contact us at:

U.S.A.

Yale Locks & Hardware

Address: 100 Yale Avenue, Lenoir City, TN 37771-3226

Tel: 1-800-438-1951 • Fax: 1-800-338-0965 • www.yalelocks.com

Canada:

ASSA ABLOY Door Security Solutions Canada

Address: 160 Four Valley Drive, Vaughan, Ontario L4K 4T9

Tel: 1-800-461-3007 • Fax: 1-800-461-8989 • www.assaabloy.ca

International:

ASSA ABLOY Americas International

Tel: 1-905-821-7775 • Fax: 1-905-821-1429 • www.assaabloyai.com

Yale Locks & Hardware is a division of Yale Security Inc., an ASSA ABLOY Group company.

Yale®, eBoss®, MicroShield®, and SquareBolt® are registered trademarks of Yale Security Inc., an ASSA ABLOY Group company. KeyMark® and KeyMark and Design® are registered trademarks of Medeco Security Locks, Inc., an ASSA ABLOY Group company. Other products' brand names may be trademarks or registered trademarks of their respective owners and are mentioned for reference purposes only. These materials are protected under U.S. copyright laws. All contents current at time of publication. Yale Security Inc. reserves the right to change availability of any item in this catalog, its design, construction, and/or its materials. Copyright © 2004, 2012, Yale Security Inc., an ASSA ABLOY Group company. All rights reserved. Reproduction in whole or in part without the express written permission of the Yale Security Inc., an ASSA ABLOY Group company, is prohibited.

YALE, with its unique global reach and range of products, is the world's favorite lock.

ASSA ABLOY is the global leader in door opening solutions, dedicated to satisfying end-user needs for security, safety and convenience.

42505-2/12R