



**Corbin
Russwin**
ASSA ABLOY



A Grade 2, economical Standard-Duty lever lockset which provides an outstanding combination of value and performance, it's the ideal lever lockset for light commercial applications. The CL3800 is designed to complement the look of the CL3300 Series Extra Heavy-Duty Grade 1 and the CL3500 Series Heavy-Duty Grade 1 so you get a variety of performances with this family of lever locksets. Best of all, when you combine the cylindrical lockset series throughout your facility, the overall cost of your project is reduced without compromising functionality and durability.

CL3800 Series

Standard-Duty Key-in-Lever
Locksets

CL3800 Series

Standard-Duty Key-in-Lever Locksets



Features

Handing

Non-handed.

Door Thickness Adjustment

Standard 1-3/8" and 1-3/4" factory set for 1-3/4" doors. For 2" and 2-1/4" doors, specify door thickness on the order.

Lock Chassis

Steel, zinc dichromated for corrosion resistance.

Backset

2-3/4" standard.
Optional: 2-3/8", 3-3/4" and 5".

Latchbolt

Brass chrome plated, 1/2" throw latch with universal "floating" front to fit both flat and beveled doors. 2-1/4" x 1-1/8" square corner front for 2-3/4" backset standard.

Auxiliary Latchbolt

Deadlocking latchbolt prevents manipulation when door is closed.

Cylinder

Brass, 6-pin, L4 keyway, "O" bitted standard.

Strike

ANSI curved lip strike standard, 4-7/8" x 1-1/4" x 1-1/4" lip to center. Optional strikes, lip lengths and ANSI wrought strike box available.

Keying Features Available

Conventional 6-pin
Conventional 7-pin
Master keying
Construction master keying
Visual key control
Concealed key control
Pyramid® Security
Pyramid High Security
Interchangeable core (IC)
Security IC
Pyramid Security IC
Pyramid High Security IC

Keys

Two nickel silver standard.

Warranty

Seven-year limited.

Certification/Compliance

ANSI

Meets A156.2 Series 4000, Grade 2. Meets A117.1 Accessibility Code.

Federal

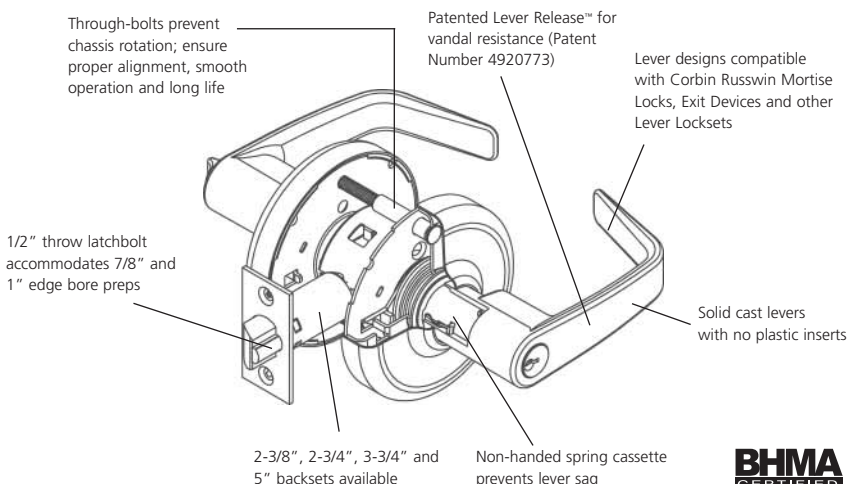
Meets FF-H-106C.

California State Reference Code

(Formerly Title 19, California State Fire Marshal Standard) All levers with returns comply; levers return to within 1/2" of door face.

UL /ULc

All locks listed for "A" label single doors. Letter "F" and UL symbol on latch front indicate listing.



Applications

Typical applications include:

- Interior offices
- Closets
- Multi-family housing
- Restaurants
- Retail complexes

Advantages

- Patented Lever Release™ for vandal resistance (Patent Number 4,920,773)
- Solid cast levers
- ANSI Grade 2 certification
- UL 3-hour fire rating
- Independent lever return springs
- Through-bolts on door for solid attachment
- Covers ANSI/DHI door prep A115.18 - 1994 "Spider Cut Out"

Finishes

605	Bright brass
606	Satin brass
611	Bright bronze
612	Satin bronze
613	Dark oxidized satin bronze, oil rubbed ¹
619	Satin nickel
625	Bright chromium plated
626	Satin chromium plated
722	Black oxidized bronze, oil rubbed ²

Zinc levers are plated to match BHMA finish.

¹ New, March 2007

² Formerly 613 prior to March 2007

Corbin Russwin
ASSA ABLOY

Corbin Russwin
Architectural Hardware
225 Episcopal Road
Berlin, CT 06037
Phone 800-543-3658
Fax 800-447-6714
corbinrusswin.com



Corbin Russwin Architectural Hardware • 225 Episcopal Road • Berlin, CT 06037 • Phone: 800-543-3658 • Fax: 800-447-6714
Corbin Russwin and Design® is a registered trademark of Corbin Russwin, Inc., an ASSA ABLOY Group company. Other products' brand names may be trademarks or registered trademarks of their respective owners and are mentioned for reference purposes only. These materials are protected under US copyright laws. All contents current at time of publication. Corbin Russwin, Inc., an ASSA ABLOY Group Company, reserves the right to change availability of any item in this catalog, its design, construction, and/or its materials. Copyright © 2007, 2009 Corbin Russwin, Inc., an ASSA ABLOY Group company. All rights reserved. Reproduction in whole or in part without the express written permission of Corbin Russwin, Inc. is prohibited. 45354-5/09R

ASSA ABLOY is the global leader in door opening solutions, dedicated to satisfying end-user needs for security, safety and convenience.