

CL3500 Series

Heavy-Duty Cylindrical Lever Locksets

A heavy-duty Grade 1 lever lockset, the CL3500 series is ideal for commercial, institutional and multi-family applications. Designed to continue the look of the cylindrical lockset family, the CL3500 lockset complements the CL3300 Series Extra Heavy-Duty Grade 1 and CL3800 Series Standard-Duty Grade 2 Locksets. Best of all, when you combine the cylindrical lockset series throughout your facility, the overall cost of your project is reduced without compromising functionality and durability.



**Corbin
Russwin** 

ASSA ABLOY

CL3500 Series

Heavy-Duty Cylindrical Lever Locksets



Features

Handing

Non-handed.

Door Thickness

1-3/8" - 2" standard.

Backset

2-3/4" standard.

Optional: 2-3/8", 3-3/4" and 5".

Lock Chassis

Steel, zinc dichromated for corrosion resistance.

Front

Brass, Bronze or Stainless Steel. 2-1/4" x 1-1/8" standard for 2-3/4", 3-3/4" and 5" backset. 2-1/4" x 1" standard for 2-3/8" backset. Accommodates flat doors and doors beveled 1/8" in 2".

Optional: rounded corner fronts; 1" fronts for 2-3/4" backset (standard for 2-3/8" backset).

Latchbolt

Brass, chrome plated with 1/2" throw.

Auxiliary Latchbolt

Deadlocking latchbolt prevents manipulation when door is closed.

Strike

Wrought brass or stainless steel ANSI curved lip, 4-7/8" x 1-1/4" x 1-1/4" lip to center standard.

Optional strikes, lip lengths and ANSI wrought strike box available.

Cylinder

Brass, 6-pin, L4 keyway, "O" bitted standard. Optional Cylinders available.

Keying Features Available

- 7-pin
- Master keying
- Construction master keying
- Visual key control
- Concealed key control
- Interchangeable core (IC)
- Security
- Security IC
- Pyramid Security
- Pyramid Security IC
- Pyramid High Security
- Pyramid High Security IC

Keys

Two nickel-silver standard.

Warranty

Seven-year limited.

Certification/Compliance

ANSI

A156.2 Series 4000, Grade 1. Meets 117.1 Accessibility Code.



C-UL US

All locks listed for "A" label and lesser class single doors, 4' x 10'. Letter F and UL symbol on latch front indicate listing.



Federal

Meets FF-H-106C.

California State Reference Code

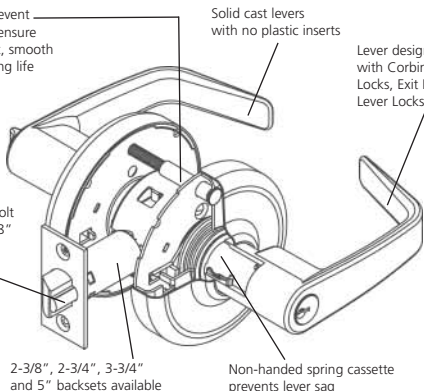
(Formerly Title 19, California State Fire Marshal Standard) All levers with returns comply; levers return to within 1/2" of door face.

Through-bolts prevent chassis rotation; ensure proper alignment, smooth operation and long life

Solid cast levers with no plastic inserts

Lever designs compatible with Corbin Russwin Mortise Locks, Exit Devices and other Lever Locksets

1/2" throw latchbolt accommodates 7/8" and 1" edge bore preps

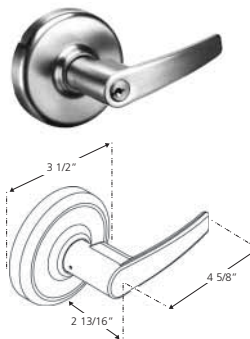


2-3/8", 2-3/4", 3-3/4" and 5" backsets available

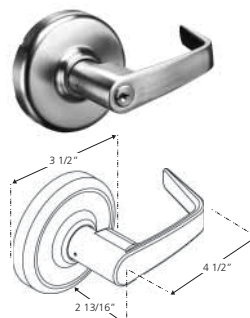
Non-handed spring cassette prevents lever sag



AZD lever



NZD lever



Applications

Typical applications include:

- Interior offices
- Apartment complexes
- Convalescent and elderly care facilities
- Hotels
- Restaurants
- Retail centers
- Fine homes

Advantages

- Non-handed
- Solid cast levers
- Independent return springs to prevent lever sag
- Through-bolted cylindrical chassis prevents rotation and ensures proper alignment
- ANSI Grade 1 certification
- Trim and keying compatible with other Corbin Russwin locksets

Finishes

- 605 Bright brass
- 606 Satin brass
- 611 Bright bronze
- 612 Satin bronze
- 613 Dark oxidized satin bronze, oil rubbed¹
- 619 Satin nickel
- 625 Bright chromium plated
- 626 Satin chromium plated
- 722 Black oxidized bronze, oil rubbed²

Zinc levers are plated to match BHMA finish.

¹ New, March 2007

² Formerly 613 prior to March 2007



Corbin Russwin
Architectural Hardware
225 Episcopal Road
Berlin, CT 06037
Phone 800-543-3658
Fax 800-447-6714
corbinrusswin.com