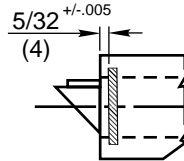


Notes:

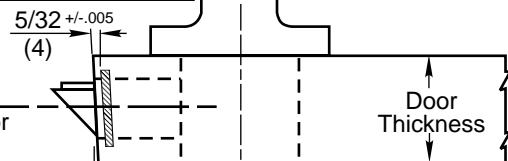
1. Backset is measured from centerline of bevel which is centerpoint of door thickness.
2. Door prep with 2-3/4" (69.9) backset meets ANSI standards A115.2 for steel doors and A115.W2 for wood doors plus through bolt holes shown.
3. Dimensions given in inches and (mm).
4. 1-1/4" strike lip suits frame for 1-3/4" thick door. Lip will vary for other door thicknesses.
5. Door prep will vary for 3/4" (19) latch assembly. Refer to template T30528 for details.

TEMPLATE CROSS REFERENCE	
DESCRIPTION	TEMPLATE
CL3350 & CL3370 Dummy Trim	T30685
586L19 Optional Strike	T30476
M16 3/4" Latch	T30528
601F28 Rabbeted Front & Strike	T30640

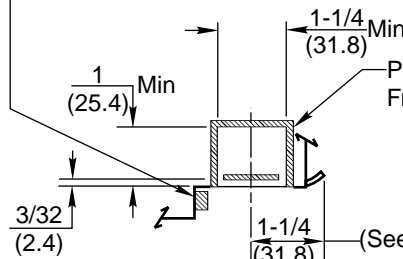
SQUARE EDGE



BEVELED EDGE



CAUTION: DOOR AND FRAME MANUFACTURERS
When door gasketing or silencers are used, proper allowances must be made for strike location to maintain a common centerline with lock and door as shown so that bolt will freely enter strike.



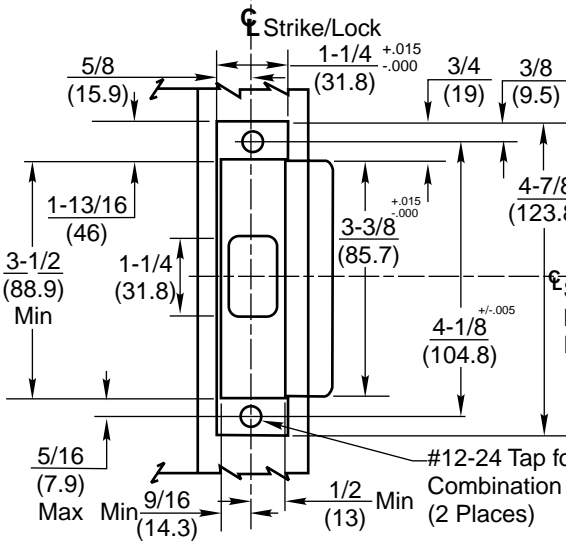
9/32 R. (7.1) (4 Places)
Profile of optional rounded corner front

Lock/Door

BEVEL
1/8" in 2" (3.2) (50.8)

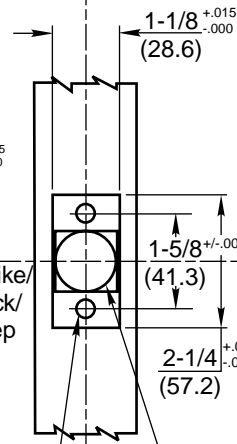
A
Backset (See Note 1)

BACKSET "A"	
2-3/4 (69.9)	Regular
3-3/4 (95.3)	Optional
5 (127)	



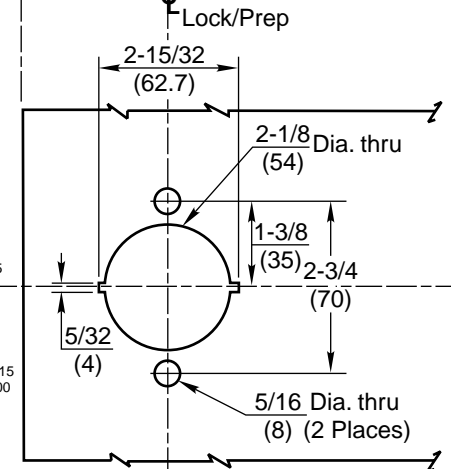
FRAME DETAIL
ANSI Strike 217L13
and Box 120F76
(Regularly Furnished)

#8-32 Tap for
Combination Screw
(2 Places)



1" (25.4) Dia. or
1" (25.4) Square
to prep hole

DOOR DETAIL



TOLERANCES	
INCHES	(mm)
.005	(.127)
.015	(.381)

RESPONSIBILITY

Door and Frame Manufacturers are responsible for providing adequate construction or reinforcements for proper installation of hardware shown. All architectural builders hardware must be installed on properly reinforced doors and frames, regardless of the type, material, or method of construction.

**CL3300 Series
Cylindrical Lever Lockset**

All Functions And Trims
Except Dummy Trim,
and M16 latch (3/4")



www.corbinrusswin.com

Do Not Scale Drawing

Supersedes	Dr.	App.
Date 2-00	Template Number	T30684