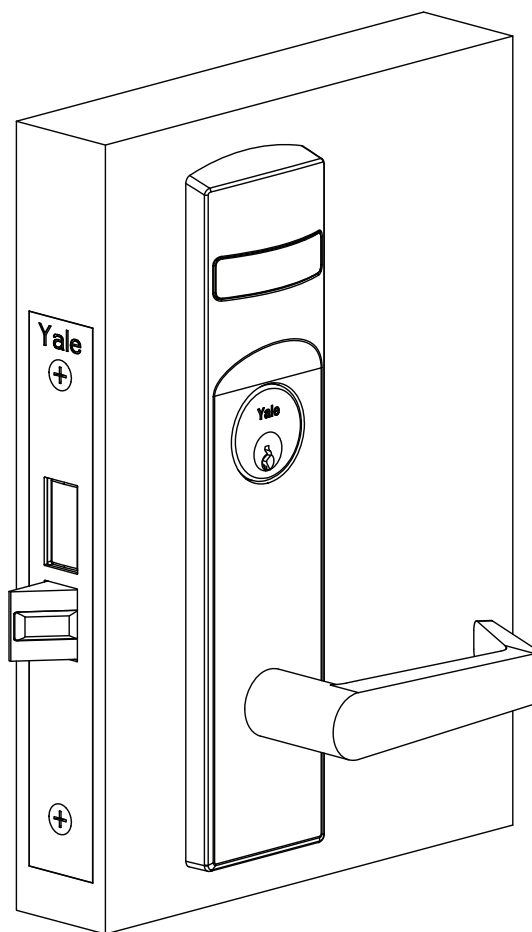


8800 Series Mortise Lock

Used with VN Escutcheon Trim and V Series Indicators



WARNING!

This product can expose you to lead which is known to the state of California to cause cancer and birth defects or other reproductive harm. For more information go to www.P65warnings.ca.gov.

8800 Series Mortise Lock

Used with VN Escutcheon Trim and V Series Indicators



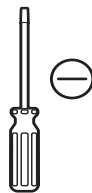
Installation Instructions

TOC	Table of Contents
1	Tools Required.....2
2	Indicator Variants.....3
3	Lock Set Configuration.....3
4	Rehanding Indicator (if required).....3
5	Installation.....4
1	Prepare Door.....4
2	Install Lock.....4
3	Install Outside Trim.....4
4	Install Inside Trim.....5
5	Install Cylinder.....5
6	Install Outside Front.....5
7	Perform Functional Check.....6
6	Indicator Part List.....7

1 Tools Required



#2 & #3 Phillips head screwdrivers



Flat blade screwdriver



1/8" Allen Wrench



3/32" Drill bit



T-20 Torx Screw with Tamper Pin Driver

For technical support contact Yale® at 800.438.1951 x5033 or support@yalelocks.com

Copyright ©2020 ASSA ABLOY Access and Egress Hardware Group, Inc. All rights reserved. Reproduction in whole or in part without the express written permission of ASSA ABLOY Access and Egress Hardware Group, Inc. is prohibited.

80-8800-0017-000 12/20

8800 Series Mortise Lock



Used with VN Escutcheon Trim and V Series Indicators

Installation Instructions

2

Indicator Variants

Depending on function and option ordered, indicators are provided in the following variations, these instructions detail how to install with cylinder, however other variations follow similar instructions. (Figure 1)

Contact factory for any questions.

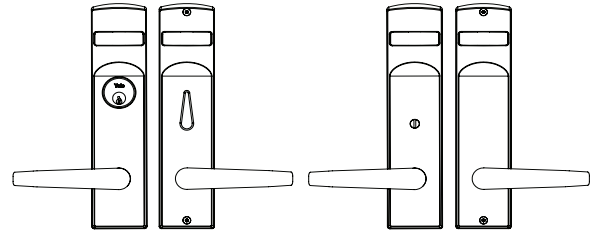


Figure 1

Cylinder - For installation on inside or outside of door.

Thumbturn - For installation on inside of door.

Coin Turn - For installation on outside of door.

No input / blank - For installation on inside or outside of door.

3

Lock Set Configuration

To re-hand lock, see instructions on lock body.

4

Rehanding Indicator (If required)

Verify hand and bevel of door. (Figure 2)

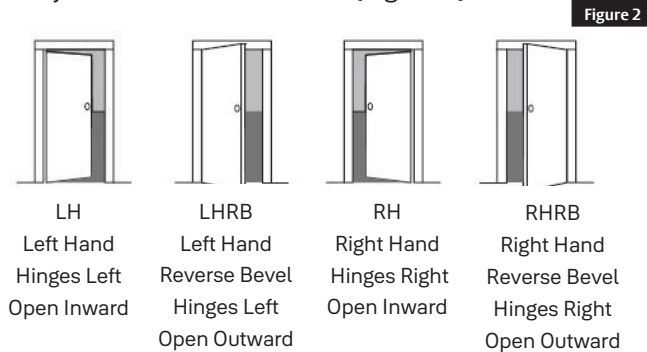


Figure 2

Note:

Stand on outside of locked door when determining door hand.

Next, verify inside and/or outside indicators are handed correctly, using Spindle Cam Position chart. (Figure 3) If they are handed correctly, skip to Step 5 "Prepare Door".

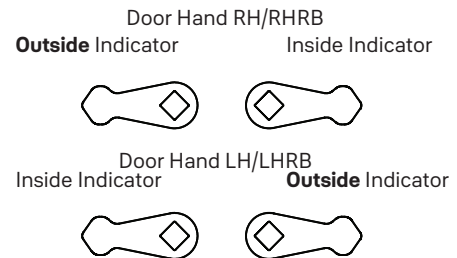
If they are not handed correctly:

1. Remove indicator back plate by pulling out from top slot, then remove spindle cam from assembly. (Figure 4)
2. Position spindle cam in correct direction for door hand. (Figure 3)

Important:

- For thumbturn indicators, make sure thumbturn is positioned in the 12 o'clock direction as shown. (Figure 5)
3. Slide spindle cam post into correct slot of display slide. (Figure 4)
 4. Re-seat back plate into original position.
 5. Return indicator to the vacant/unlocked position for installation.

Spindle Cam Position for Locks with Deadbolt (*includes 8864 function)



Spindle Cam Position for Locks without Deadbolt (*does not include 8864 function)

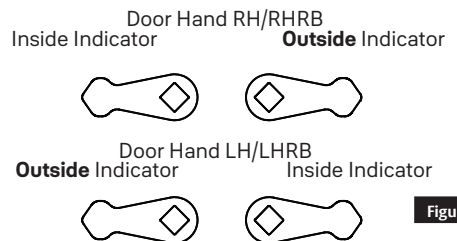


Figure 3

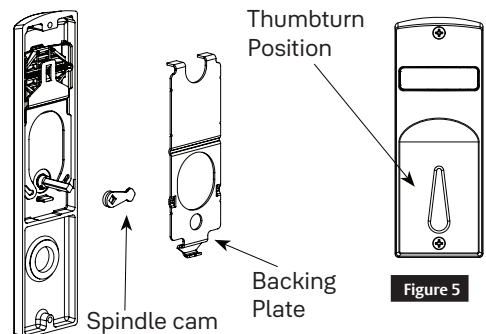


Figure 4

Figure 5

8800 Series Mortise Lock

Used with VN Escutcheon Trim and V Series Indicators



Installation Instructions

5

Installation

1

Prepare Door

Prepare door for function holes, size, and location according to 7088-0005 door marker template, if not already prepped.

2

Install Lock

1. Verify strike location according to template. Clean out door pocket and door edge of debris.
2. Make sure handing of lock matches handing of door. Slide lock into door. (Figure 6)
3. Temporarily hand tighten two (2) lock screws (#12 x 1-1/4" wood screws, or #12-24 x 1/2" machine screws).

NOTE: Keep door open until installation is complete.

3

Install Outside Trim

1. Verify lock is in unlocked state (square control hub slot should be oriented as a diamond).
2. Unscrew the inside spindle from the outside lever assembly 1/2 turn and align the ramp in the horizontal position before inserting into the lock.
3. Slide outside escutcheon assembly on door and insert outside lever assembly and plastic bushing into lock body. Lever must be horizontal. (See Figure 7)

NOTE: If indicator is used on outside, align indicator spindle with control hub.

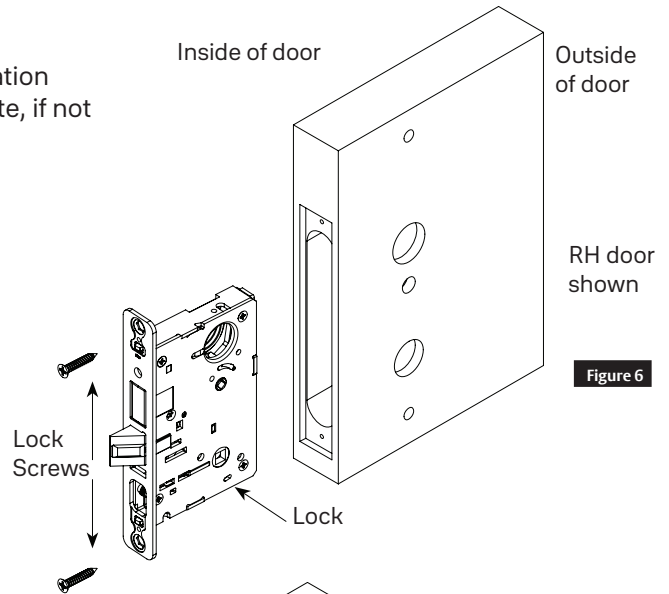


Figure 6

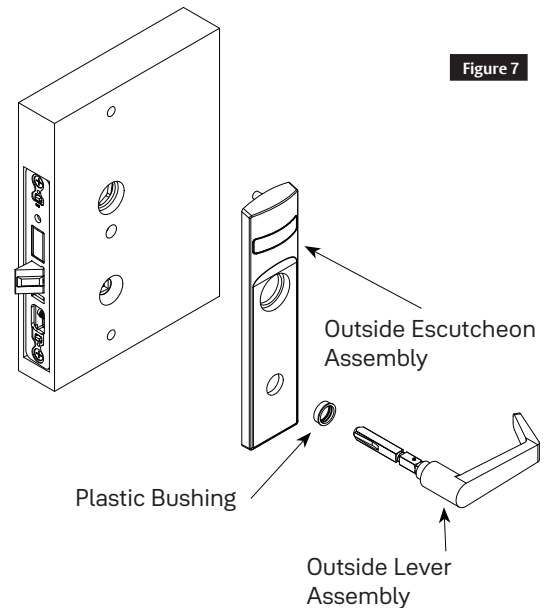


Figure 7

8800 Series Mortise Lock



Used with VN Escutcheon Trim and V Series Indicators

Installation Instructions

5

Installation, continued

4

Install Inside Trim

1. Verify lock is in unlocked state (turn outside lever to ensure).
2. Align inside escutcheon assembly and install onto inside door face. (Figure 8)
3. Note: If indicator is used on inside, align indicator spindle with control hub.
4. Through-bolt inside escutcheon to outside escutcheon with two (2) #8-32 x 2-1/4" screws.

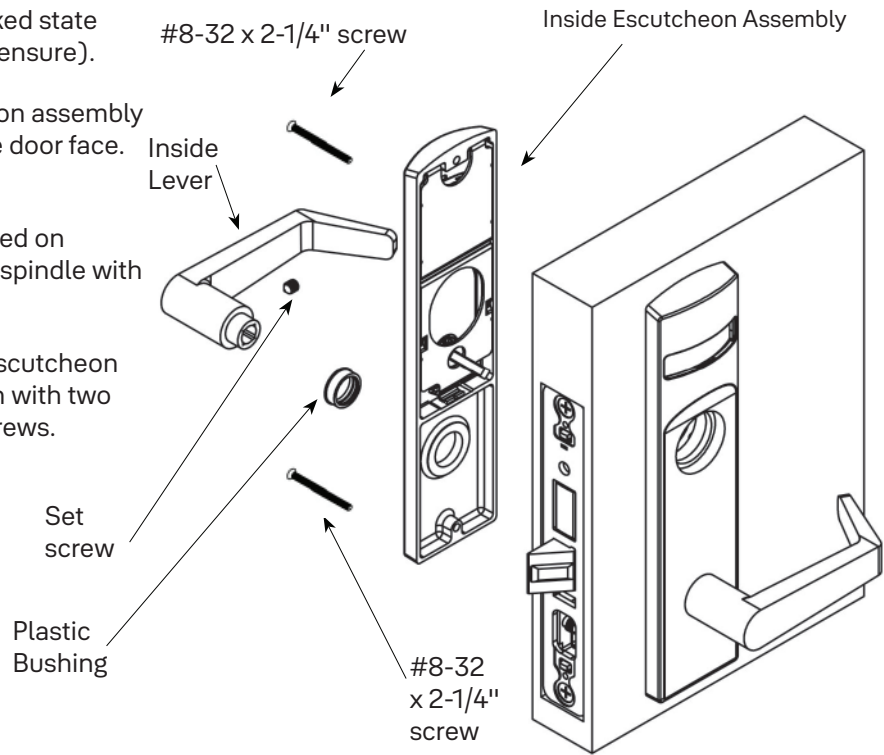


Figure 8

8800 Series Mortise Lock

Used with VN Escutcheon Trim and V Series Indicators



Installation Instructions

5

Installation, continued

7

Install Cylinder

1. Thread cylinder into lock until flush with escutcheon surface. (Figure 9)
 - Pull key slightly out of cylinder to help thread into lock body.
2. Tighten cylinder clamp screw with #2 Phillips screwdriver.
 - Check operation and adjust if necessary.

Notes:

- Yale logo must be horizontal and on top. (See Figure 10.)
- If double cylinder function is used, repeat steps 7.1 and 7.2 for second cylinder.
- Interchangeable Core cylinders require a control key to remove and install the core. This is not provided standard. It must be requested separately.

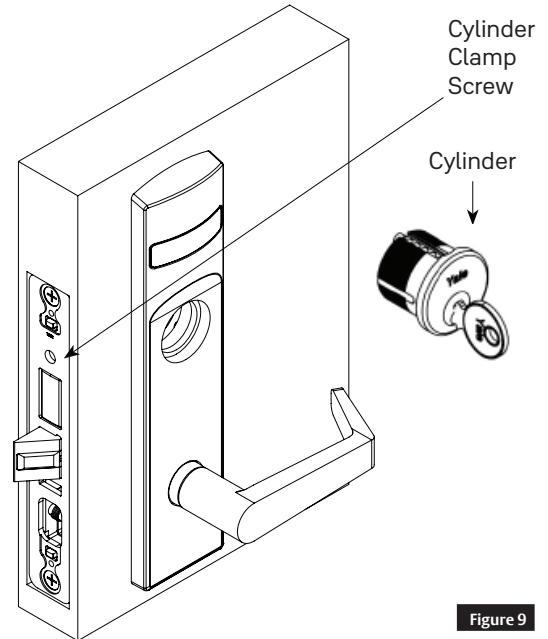


Figure 9

Key and cylinder must be rotated as shown.

8

Install Outside Front

1. Tighten the two (2) lock screws completely: (Figure 11)
2. Attach outside front with two (2) flat head screws #8-32 x 1/4".

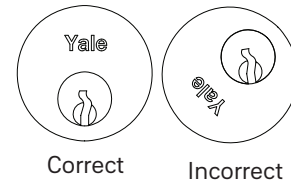


Figure 10

9

Perform Functional Check

DO NOT FORCE if resistance is encountered during functional check. Refer back to Rehanding Indicator (if required) section to ensure correct handing. Rehand if necessary.

1. Insert key into cylinder (if present) and rotate:
 - Ensure there is no friction against lock case or any other obstructions.
2. Check key retracts latch:
 - Key should rotate freely.
3. Throw deadbolt (if present):
 - Check key retracts both deadbolt and latch.
4. Test levers:
 - Confirm latch and deadbolt (if installed) retract.
5. Verify indicator displays correct status when locked and unlocked.

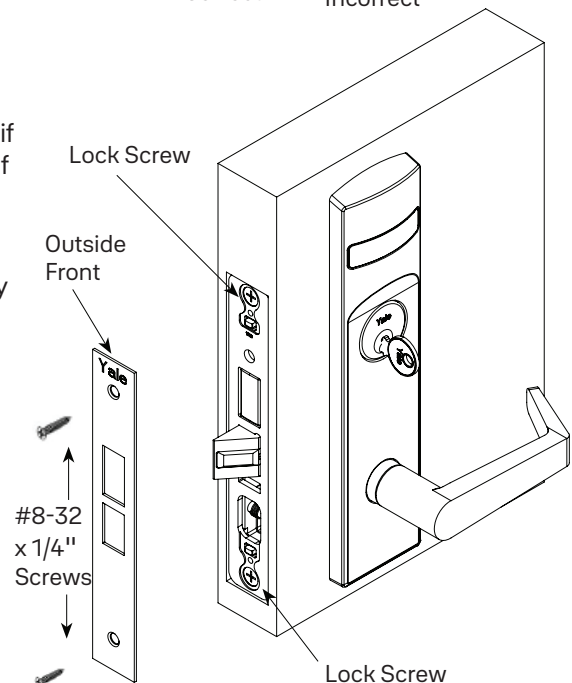


Figure 11

For technical support contact Yale® at 800.438.1951 x5033 or support@yalelocks.com

Copyright ©2020 ASSA ABLOY Access and Egress Hardware Group, Inc. All rights reserved. Reproduction in whole or in part without the express written permission of ASSA ABLOY Access and Egress Hardware Group, Inc. is prohibited.

80-8800-0017-000 12/20

8800 Series Mortise Lock



Used with VN Escutcheon Trim and V Series Indicators

Installation Instructions

6

Indicator Parts List

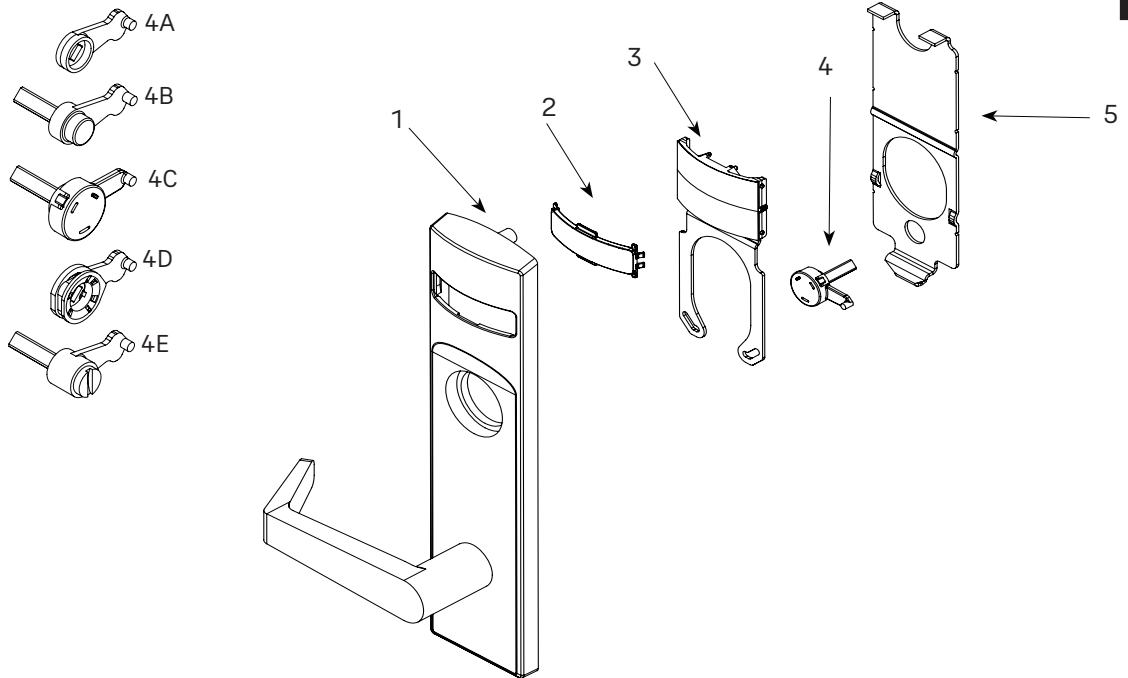


Figure 12

#	Description	Part #	Req.
1	VN Indicator Escutcheon	Consult Factory	1
2	Indicator Window	856F049	1
3	Indicator Display Assembly - Green Unlocked / Red Locked	82-5602-4000	1
	Indicator Display Assembly - Green Vacant / Red Occupied	82-5603-4000	
	Indicator Display Assembly - Green Unlocked Icon / Red Locked Icon	82-5604-4000	
	Indicator Display Assembly - White Unlocked / Red Locked	82-5605-4000	
	Indicator Display Assembly - White Vacant / Red Occupied	82-5606-4000	
	Indicator Display Assembly - White Unlocked Icon / Red Locked Icon	82-5607-4000	
	Indicator Display Assembly - Green Ouvert / Red Fermé	82-5684-4000	
	Indicator Display Assembly - Green Libre / Red Occupée	82-5685-4000	
4A	Indicator Spindle Cam - Thumbturn	50-8800-9328	1
4B	Indicator Spindle Cam - Cylinder/No Input	50-8800-7335*	
4C	Indicator Spindle Cam - Cylinder Overtravel	50-8800-0378*	
4D	Indicator Spindle Cam - Thumbturn Overtravel	50-8800-0346	
4E	Indicator Spindle Cam - Coin Turn	50-8800-7339*	
5	Indicator Backing Plate	855F638	1
6	VN Escutcheon Screw Pack (Not shown)	858F517 FIN*	1
7	Field Prep Marker Template (Not shown)	7088-1008	1

*These parts are for 1-3/4" standard thickness doors. For other thicknesses, contact the factory.

NOTE: Reference 8800 Series parts manual for all lock body parts.



Trusted every day

Customer Service Phone:

1-800-438-1951

Customer Service Fax:

1-800-338-0965

Technical Product Support:

techsupport.yale@assaabloy.com

Customer Service:

customerservice.yale@assaabloy.com

Website:

Yalecommercial.com

Email for orders:

orders.yaleus@assaabloy.com

Contact Us

U.S.A.

Yale Locks & Hardware

Address: 225 Episcopal Road

Berlin, CT 06037-4004

Tel: 1-800-438-1951

Fax: 1-800-338-0965

yalecommercial.com

Canada:

ASSA ABLOY Door Security Solutions Canada

Address: 160 Four Valley Drive

Vaughan, Ontario L4K 4T9

Tel: 1-800-461-3007

Fax: 1-800-461-8989

assaabloydss.ca

International:

ASSA ABLOY Americas International

Tel: 1-905-821-7775

Fax: 1-905-821-1429

assaabloyai.com

THE YALE BRAND, with its unparalleled global reach and range of products, reassures more people in more countries than any other consumer locking solution.

THE ASSA ABLOY GROUP is the world's leading manufacturer and supplier of locking solutions, dedicated to satisfying end-user needs for security, safety and convenience.

Yale Commercial is a business associated with ASSA ABLOY Access and Egress Hardware Group, Inc., an ASSA ABLOY Group company. Copyright © 2020, ASSA ABLOY Access and Egress Hardware Group, Inc. All rights reserved. Reproduction in whole or in part without the express written permission of ASSA ABLOY Access and Egress Hardware Group, Inc. is prohibited. Patent pending and/or patent www.assaabloydss.com/patents.