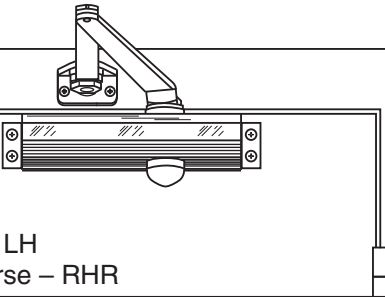


**CAUTION** An incorrectly installed or improperly adjusted door closer can cause property damage or personal injury. These instructions should be followed to avoid the possibility of misapplication or misadjustment. **CAUTION**

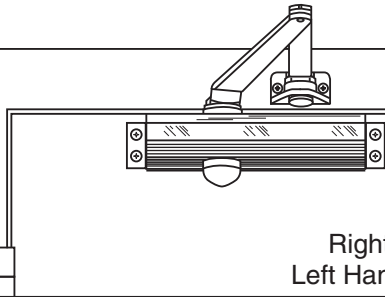
With or without prefix "TJ"  
with or without suffix "BC" or "COV"

### Regular Arm Installation

Closer on hinge (pull) side of door.  
See Page 2



Left Hand Door – LH  
Right Hand Reverse – RHR

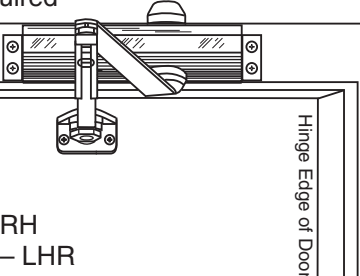


Right Hand Door – RH  
Left Hand Reverse – LHR

### Top Jamb Installation

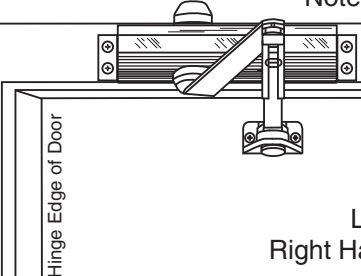
Closer on frame face on stop (push) side of door.  
See Page 3

Note: Drop Plate Required



Right Hand Door – RH  
Left Hand Reverse – LHR

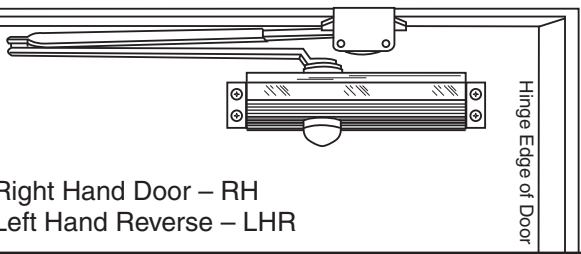
Note: Drop Plate Required



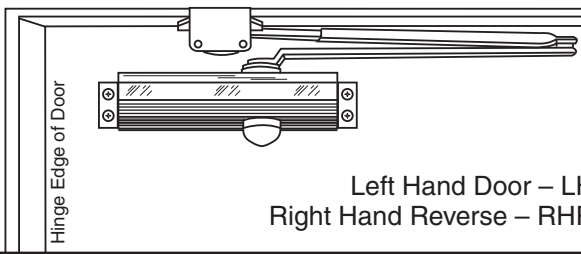
Left Hand Door – LH  
Right Hand Reverse – RHR

### Parallel Arm Installation

Closer on door on stop (push) side of door.  
See Page 4

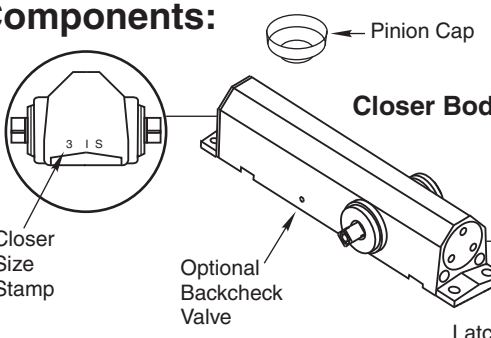


Right Hand Door – RH  
Left Hand Reverse – LHR



Left Hand Door – LH  
Right Hand Reverse – RHR

### Components:

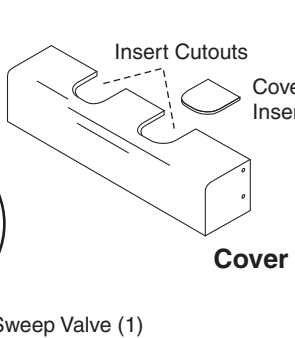


Pinion Cap

Closer Body

Closer Size Stamp

Optional Backcheck Valve



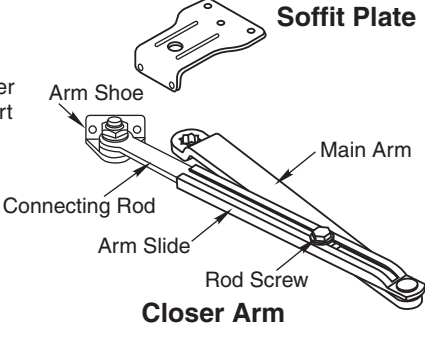
Insert Cutouts

Cover Insert

Cover

Latch Valve (2)

Sweep Valve (1)



Soffit Plate

Arm Shoe

Connecting Rod

Arm Slide

Main Arm

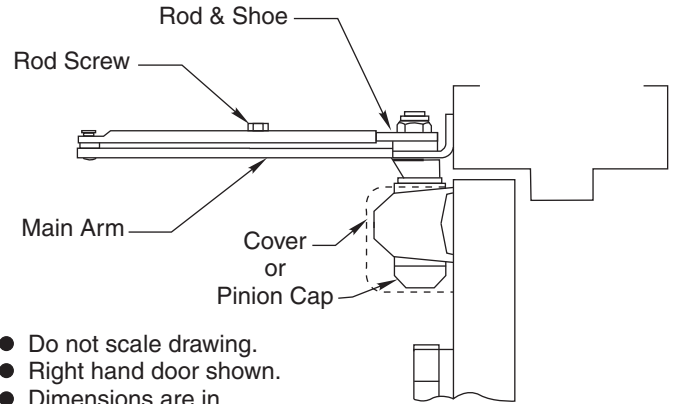
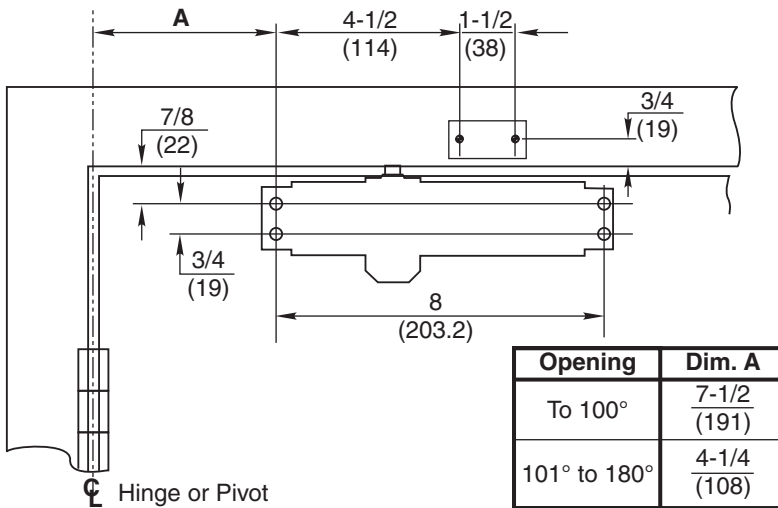
Rod Screw

Closer Arm

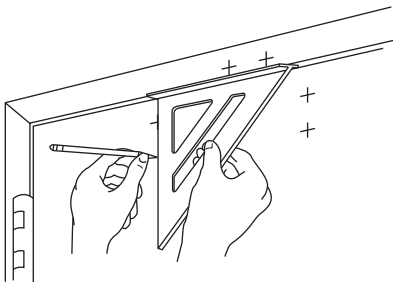
Select application from illustrations above ... Proceed to page shown.

Page 1

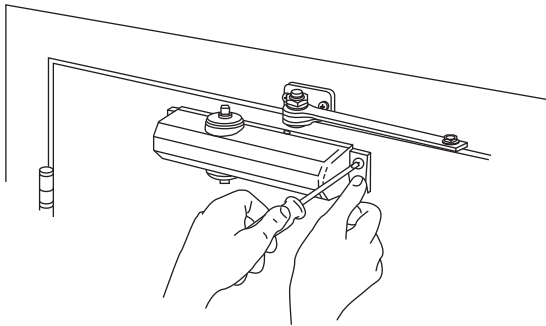
# Regular Arm Mount



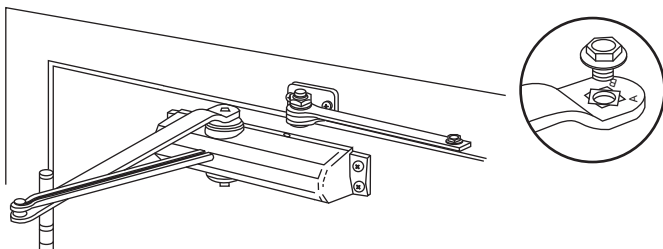
- Do not scale drawing.
- Right hand door shown.
- Dimensions are in inches (mm).



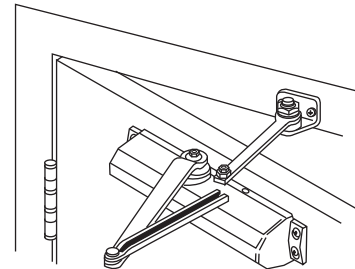
- **Select door opening angle.** Use template to locate holes on door and frame:  
**4 on door** for closer. **2 on frame** face for arm shoe.
- **Prepare for fasteners.** See Chart on Page 2.



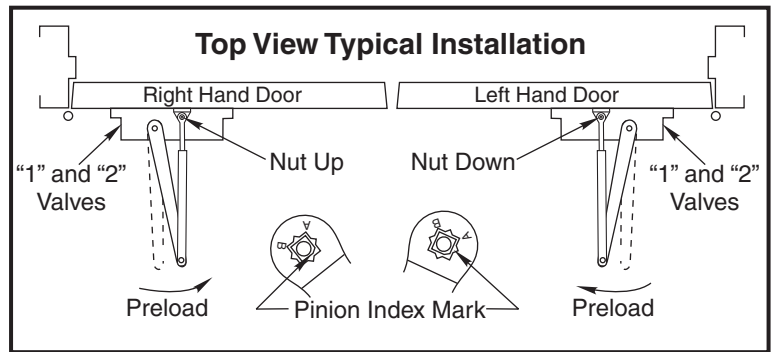
- **Remove rod and shoe from arm assembly.**
- **Mount rod and shoe to frame.**  
 Nut **Up** for **Right Hand** door.  
 Nut **Down** for **Left Hand** door.
- **Mount closer** to door. Place end with two regulating valves toward hinge edge of door.



- **Install main arm on closer.** Place arm on pinion at 90° angle (perpendicular) to frame, see "Typical Installation" chart below. Fasten with arm screw.



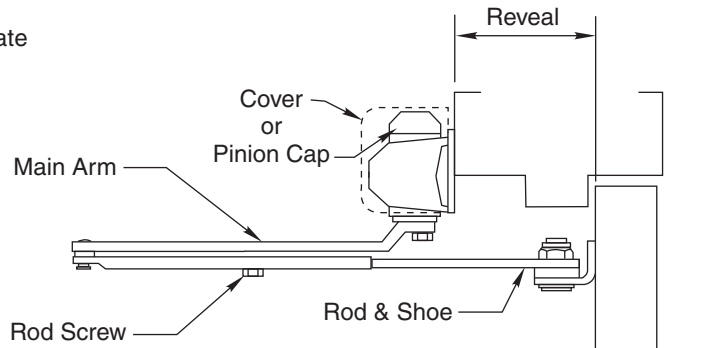
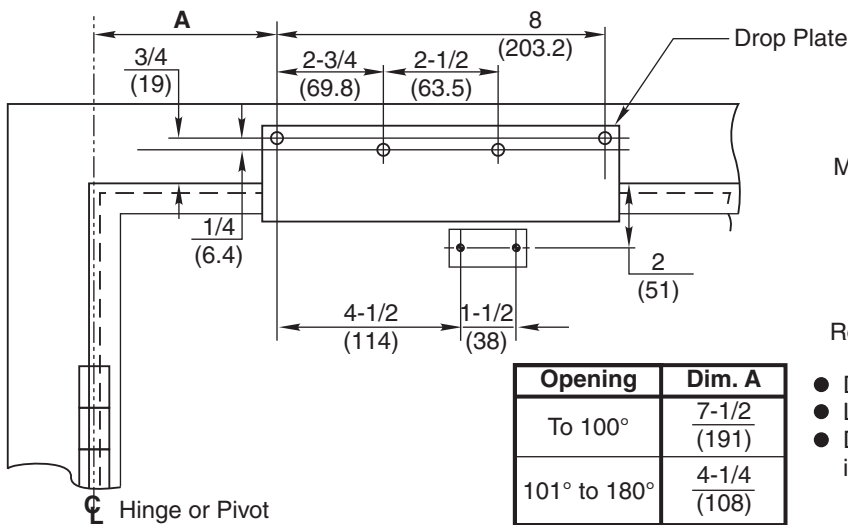
- **Open door slightly.** Align and insert adjusting rod into adjusting tube. Close door. Adjust forearm at 90° angle (perpendicular) to door. Tighten rod screw.
- **Adjust closer.** See Page 3 ... Then install pinion cap or cover.



Fasteners Chart			
	Fasteners	Door or Frame	Drill-Sizes
Standard	#14 type "A" sheet metal screw	Wood	7/32" (5.56 mm.)
	1/4" - 20 machine screw	Metal	drill: #7 (0.201" dia.) Or 5.10mm tap: 1/4" - 20
Optional	Sex nuts and bolts	Hollow-Metal	9/32" (7.00 mm.) through; 3/8" (9.50 mm.) Door face opposite to closer
		Aluminum or Wood	3/8" (9.50 mm.) through
	Through-bolts and grommet-nuts	All	9/32" (7.00 mm.) through; 3/8" (9.50 mm.) dia. x 3/8" (9.50 mm.) deep on door face opposite to closer

# Top Jamb Mount

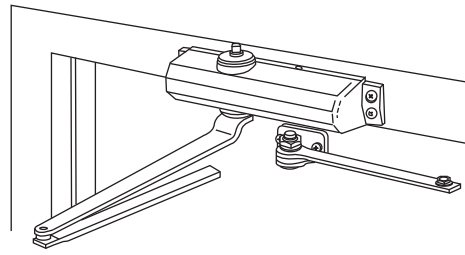
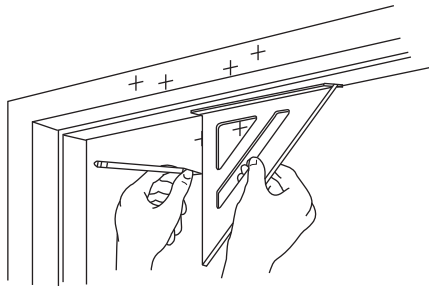
## Installation Instructions



Opening	Dim. A
To 100°	7-1/2 (191)
101° to 180°	4-1/4 (108)

Reveal Range	
5100 Series	TJ5100 Series
0" to 4-7/8" (0) to (123)	4-7/8" to 6-7/8" (123) to (174)

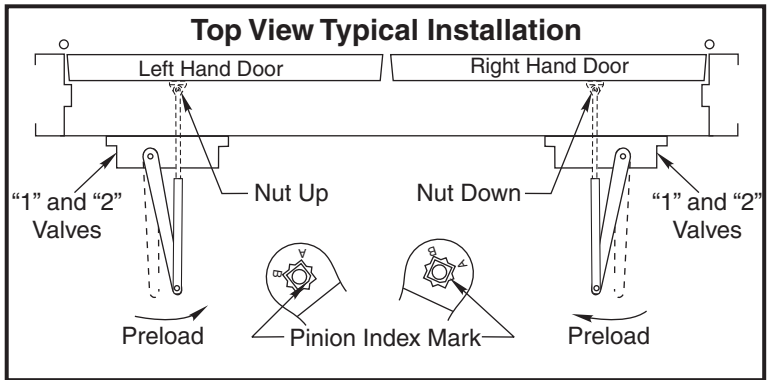
- Do not scale drawing.
- Left hand door shown.
- Dimensions are in inches (mm).



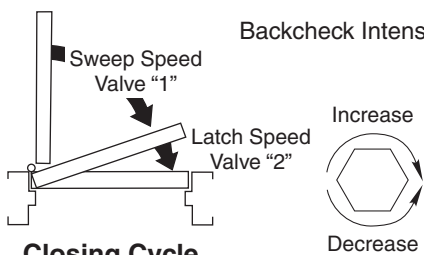
Drop Plates	
Closer	Drop Plate #
without Cover	5146
with Cover	5157

- **Select door opening angle.** Use template to locate holes on door and frame:  
**4 on frame face** for closer. **2 on door** for arm shoe.
- **Prepare for fasteners.** See Chart on Page 2.
- **Remove rod and shoe from arm assembly.**
- **Mount rod and shoe to door.**  
 Nut **Up** for **Right Hand** door.  
 Nut **Down** for **Left Hand** door.
- **Fasten No. 5146 or 5157 drop plate to frame face.**
- **Mount closer to drop plate.** Place end with two regulating valves toward hinge edge of door.

- **Install main arm on closer.** Place arm on pinion at 90° angle (perpendicular) to frame, see "Typical Installation" chart below. Fasten with arm screw.
- **Reassemble arm.** Adjust forearm at 90° angle (perpendicular) to door. Tighten rod screw.
- **Adjust closer.** See below for Hold Open, Closing Speed and Backcheck.

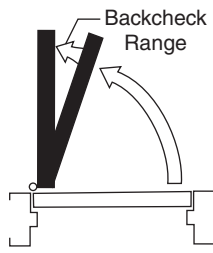
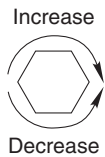


### Valve Adjustments



Closing Cycle

Backcheck Intensity "BC"



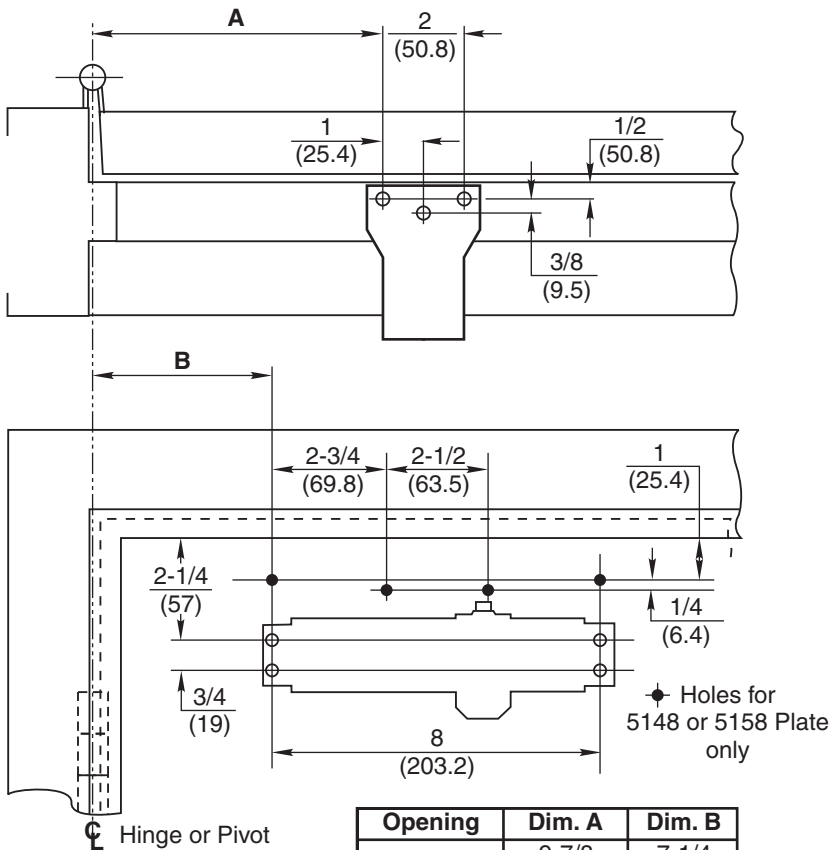
Opening Cycle

Closing Speeds "1" and "2"

- **Closing speed** controlled by valve marked "1" (sweep range) and by valve marked "2" (latch range).
- **Backcheck Model Closers only** suffix "BC". Backcheck controlled by valve "BC". **Never close "BC" valve completely.**
- **Hold Open Adjustment.** Open door to angle of hold open desired. Tighten hold open adjustment nut with a 13/16" wrench or socket.

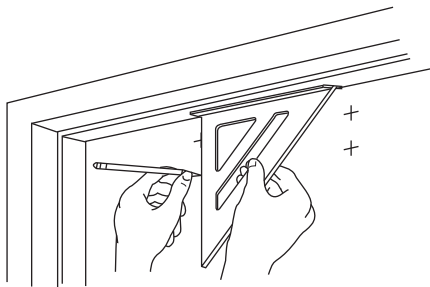
# Installation Instructions

# Parallel Arm Mount

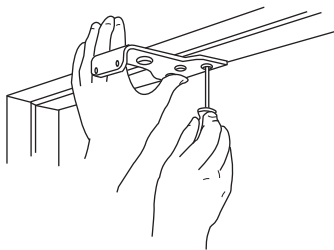


Opening	Dim. A	Dim. B
To 100°	9-7/8 (251)	7-1/4 (184)
101° to 180°	7-1/8 (181)	4-1/4 (108)

- Do not scale drawing.
- Left hand door shown.
- Dimensions are in inches (mm).

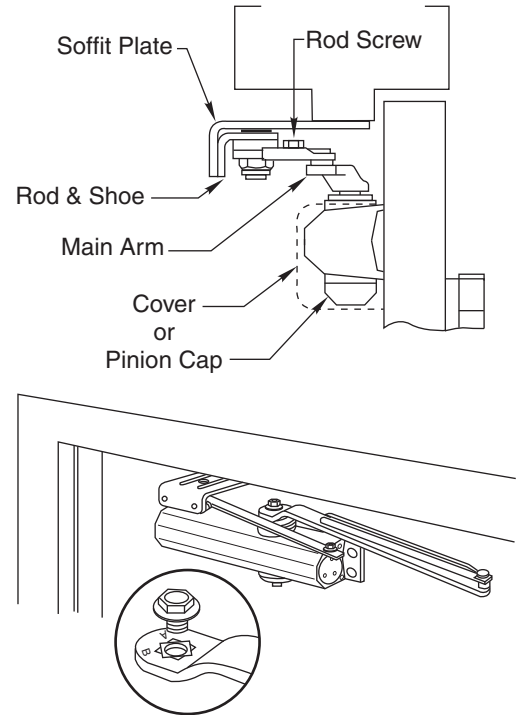


- **Select door opening angle.** Use template to locate holes on door and frame:  
**4 on door** for closer (or drop plate).  
**3 on frame** for soffit plate.
- **Prepare for fasteners.** See Chart on Page 2.

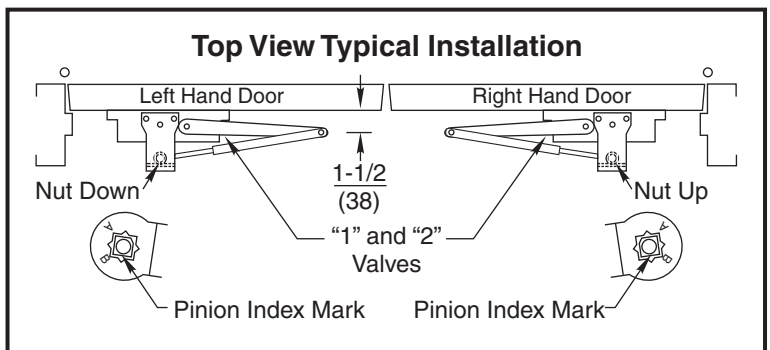


- **Mount soffit plate to frame.**

- **Remove rod and shoe from arm assembly.**
- **Fasten rod and shoe to soffit plate.**  
 Nut **Up** for **Right Hand** door.  
 Nut **Down** for **Left Hand** door.
- **Mount closer or drop plate and closer** to door.  
 Place end with two regulating valves toward lock edge of door.



- **Install main arm on closer.** Rotate pinion 45° toward hinge edge of door to align main arm letter "A" (right hand) or "B" (left hand) with Pinion Index Mark, see "Typical Installation" this page. Tighten rod screw.
- **Reassemble arm.** Adjust forearm length to set arm elbow about 1-1/2 (38) from door. Tighten rod screw.
- **Adjust closer.** See Closer Adjustment on Pages 2 & 3.



ASSA ABLOY, the global leader in door opening solutions  
 Yale® is a registered trademark of Yale Security Inc., an ASSA ABLOY Group company.  
 Copyright © 1987, 2008, Yale Security Inc., an ASSA ABLOY Group company. All rights reserved.  
 Reproduction in whole or in part without the express written permission of Yale Security Inc. is prohibited.

**Yale**

**An ASSA ABLOY Group brand**

3000 Highway 74 East • Monroe, NC 28112  
 Tel: (800)-438-1951 • Fax: (800)-338-0965  
 www.yalecommercial.com