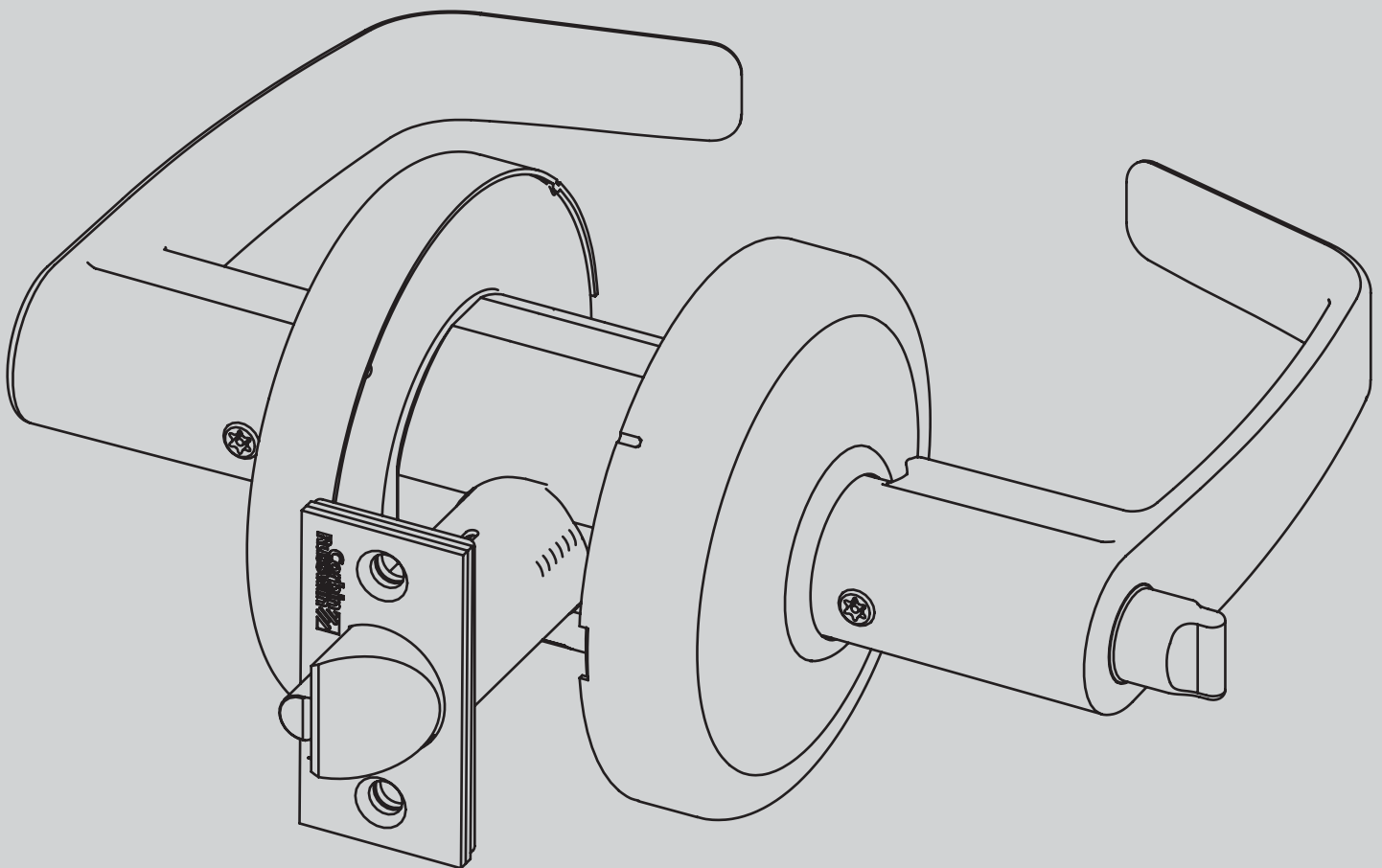


Corbin
Russwin

ASSA ABLOY

CL3100 Series

Lever Lockset Parts Manual



ASSA ABLOY, the global leader
in door opening solutions

Outside	Inside	Series/ Function	Type	ANSI No.	Function Description	Page Number
		CL3110	Passage or Closet	F75	<ul style="list-style-type: none"> Latchbolt by lever either side. Both levers always free. 	4
		CL3120	Privacy, Bedroom or Bathroom	F76	<ul style="list-style-type: none"> Throw-off latchbolt by lever. Outside lever locked by push button. Outside lever unlocked by emergency release tool outside, by rotating inside lever or by closing door. Inside lever always free. 	5
		CL3120H	Hospital Privacy	—	<ul style="list-style-type: none"> Outside lever locked by push button. Outside lever unlocked by simultaneously depressing outside pushbutton while rotating lever. Rotating inside lever or closing door also unlocks outside lever. Outside lever handle is freewheeling when locked. 	6
		CL3129	Hotel or Motel	F93	<ul style="list-style-type: none"> Throw-off latchbolt by lever inside or by key outside. Push button shuts out all keys except emergency key, and projects occupancy indicator in face of cylinder. Push button released by turning inside lever or by closing door.* Outside lever always locked. Inside lever always free. Not available with other manufacturers keyways 	7
		CL3132	Institutional or Utility	F87	<ul style="list-style-type: none"> Deadlocking latchbolt by key either side. Should be used only in office or room with multiple entries. 	8
		CL3140NT	Exit Latch	F89	<ul style="list-style-type: none"> Deadlocking latchbolt by lever inside. Outside lever always locked. Inside lever always free. 	9
		CL3150	Half Dummy Trim	—	<ul style="list-style-type: none"> Lever acts as pull only; no operation. Lever is rigid. 	10
		CL3151	Entrance or Office	F109	<ul style="list-style-type: none"> Deadlocking latchbolt by lever either side, except when turn button locks outside lever. Pushing and turning button in locks outside lever, requiring use of key outside to unlock. Turning inside lever unlocks outside lever. Pushing in and turning button locks outside lever, requiring key at all times. Turning inside lever does not unlock outside lever until button is manually turned to unlocked position. Inside lever always free. 	11
		CL3152	Classroom Intruder	—	<ul style="list-style-type: none"> Deadlocking latchbolt by inside lever or outside lever except when key inside or outside locks outside lever. Outside lever is locked and unlocked by turning the key in the inside or outside lever. Inside lever always free. 	12
		CL3155	Classroom	F84	<ul style="list-style-type: none"> Deadlocking latchbolt by lever either side, except when key outside locks outside lever. Outside lever unlocked by key outside. Inside lever always free. 	13
		CL3157	Storeroom or Closet	F86	<ul style="list-style-type: none"> Deadlocking latchbolt by key in outside lever or by rotating inside lever. Inside lever always free. 	14

Indicates optional interchangeable core available.

Outside	Inside	Series/ Function	Type	ANSI No.	Function Description	Page Number
		CL3161	Entry or Office	F82	<ul style="list-style-type: none"> • Deadlocking latchbolt by lever either side, except when push button locks outside lever. • Push button released by turning inside lever or by key in outside lever. • Closing door does not release push button. • Inside lever always free. 	15
		CL3162	Communicating	F80	<ul style="list-style-type: none"> • Deadlocking latchbolt by lever either side, except when key in either lever locks and unlocks the lever independently of the other. • Keyed alike unless otherwise specified. • Should be used only in office or room with multiple entries. 	16
		CL3170	Full Dummy Trim	—	<ul style="list-style-type: none"> • Levers act as pulls only; no operation. • Levers are rigid. 	17
		CL3172	Apartment, Exit or Public Toilet	F88	<ul style="list-style-type: none"> • Deadlocking latchbolt by lever either side, except when key inside locks outside lever. • Key outside retracts latchbolt. • Key inside unlocks outside lever. • Inside lever always free. • Keyed alike unless otherwise specified. 	18
		CL3175	Corridor/ Dormitory Lock	F90	<ul style="list-style-type: none"> • Throw-off latchbolt by lever either side except when pushbutton or key locks outside lever. • Pushbutton released by turning inside lever or by closing door. • Depressed pushbutton indicates door is locked. • When outside lever is locked by key, it can only be unlocked by key. • Inside lever always free. 	19
		CL3180	Passage Lever x Blank Plate	—	<ul style="list-style-type: none"> • Latchbolt by lever. • Lever on one side; blank plate on other side. • For single or double communicating doors. 	20
		CL3193	Service Station	F02	<ul style="list-style-type: none"> • Throw-off latchbolt by lever. • Outside lever locked by slotted push button. • When slotted push button is pushed in and turned, outside lever becomes freewheeling and deadlocking latch is activated. Outside lever is unlocked by using key or by rotating inside lever, when slotted push button returned to original position. • Inside lever always free. 	21

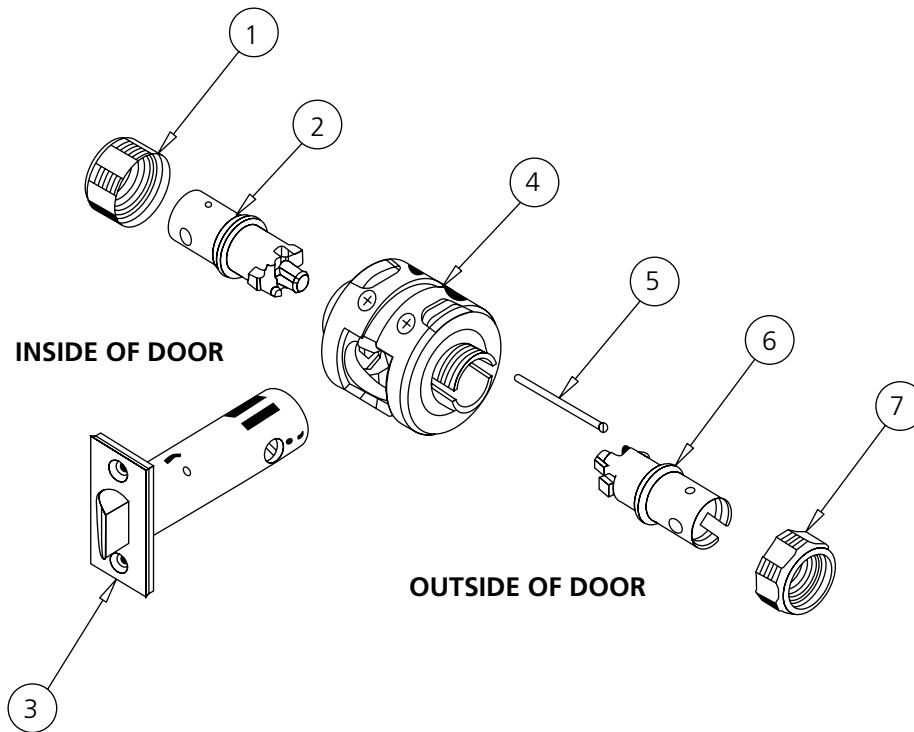
Indicates optional interchangeable core available.

Miscellaneous Parts.....	22
Sleeve Assemblies.....	23-24
Latch Assemblies.....	25
Levers.....	26
Rose Assemblies.....	27
Cylinders.....	27
Strikes.....	28
Installation Instructions.....	30
Door Manufacturer's Template.....	31

Item	Part Number	Description	Quantity
1	778F888	Inside Collar	1
2	776F708	Inside Sleeve Assembly	1
3	*780F81	Latch Assembly, A	1
4	779F787	Bearing Assembly	1
5	778F868	Aligning Pin	1
6	776F708	Outside Sleeve Assembly	1
7	778F898	Outside Collar	1

* Specify Finish

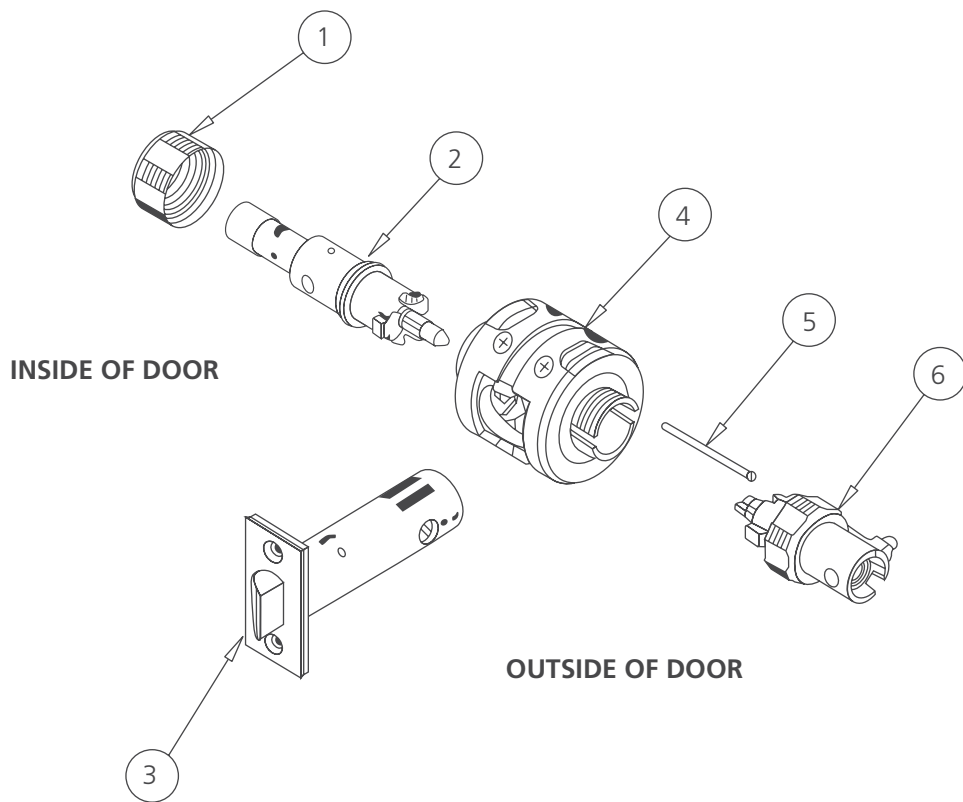
Note: Refer to pages 23-25 for part numbers associated with non-standard doors. For Lever and Rose options, see pages 26-27.



Item	Part Number	Description	Quantity
1	778F888	Inside Collar	1
2	*776F042	Inside Sleeve Assembly	1
3	*780F83	Latch Assembly, C	1
4	779F787	Bearing Assembly	1
5	778F868	Aligning Pin	1
6	776F698	Outside Sleeve Assembly	1

* Specify Finish

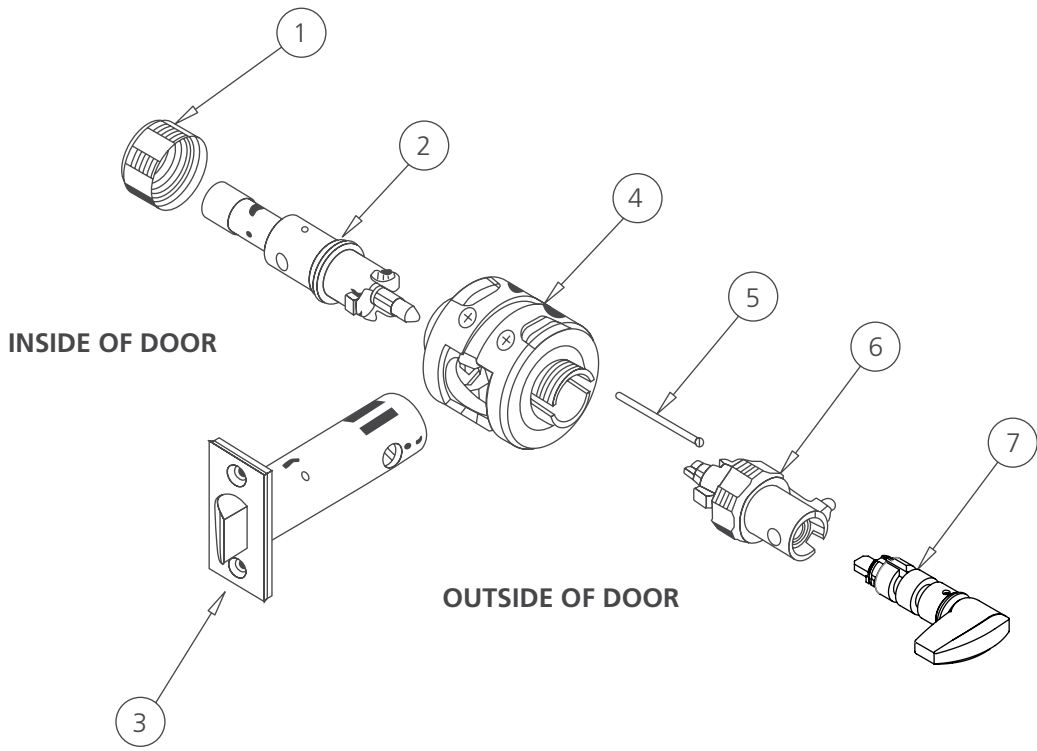
Note: Refer to pages 23-25 for part numbers associated with non-standard doors. For Lever and Rose options, see pages 26-27.



Item	Part Number	Description	Quantity
1	778F888	Inside Collar	1
2	*776F042	Inside Sleeve Assembly	1
3	*780F83	Latch Assembly, C	1
4	779F787	Bearing Assembly	1
5	778F868	Aligning Pin	1
6	776F698	Outside Sleeve Assembly	1
7	*779F962	Emergency Release Cylinder	1

* Specify Finish

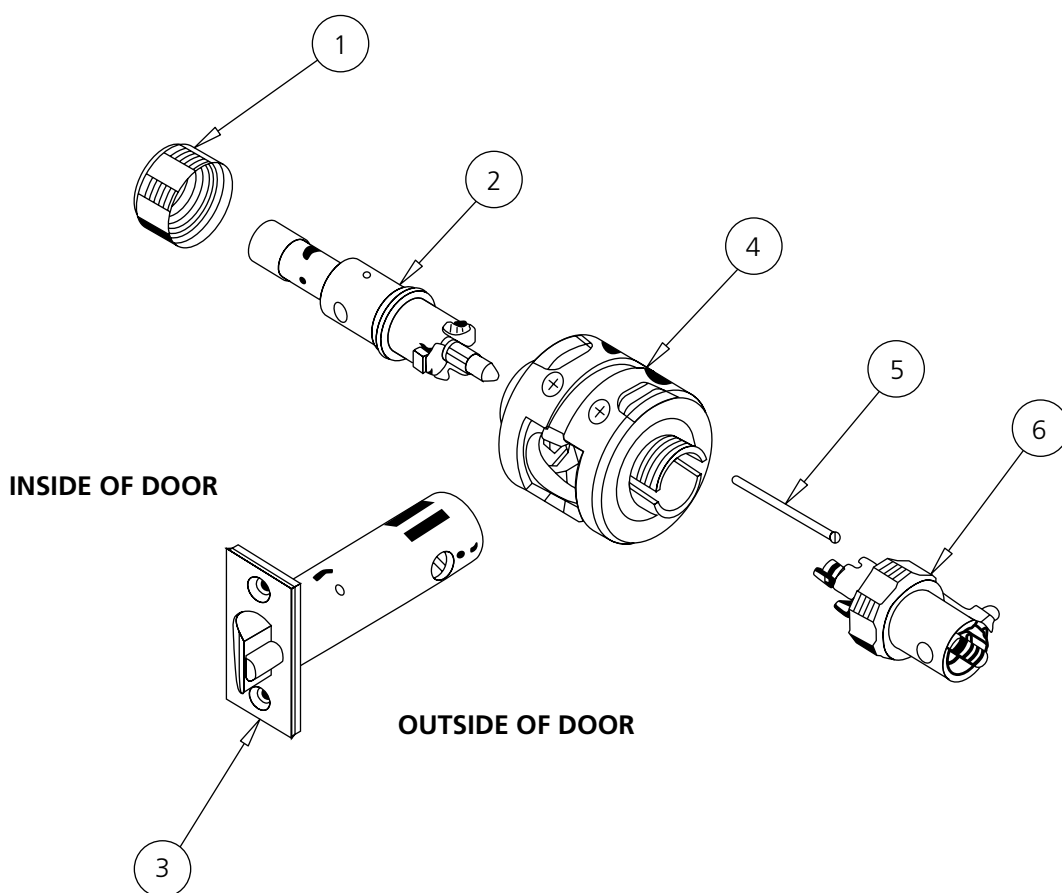
Note: Refer to pages 23-25 for part numbers associated with non-standard doors. For Lever and Rose options, see pages 26-27.



Item	Part Number	Description	Quantity
1	778F888	Inside Collar	1
2	*776F032	Inside Sleeve Assembly	1
3	*780F84	Latch Assembly, D	1
4	779F787	Bearing Assembly	1
5	778F868	Aligning Pin	1
6	776F678	Outside Sleeve Assembly	1

* Specify Finish

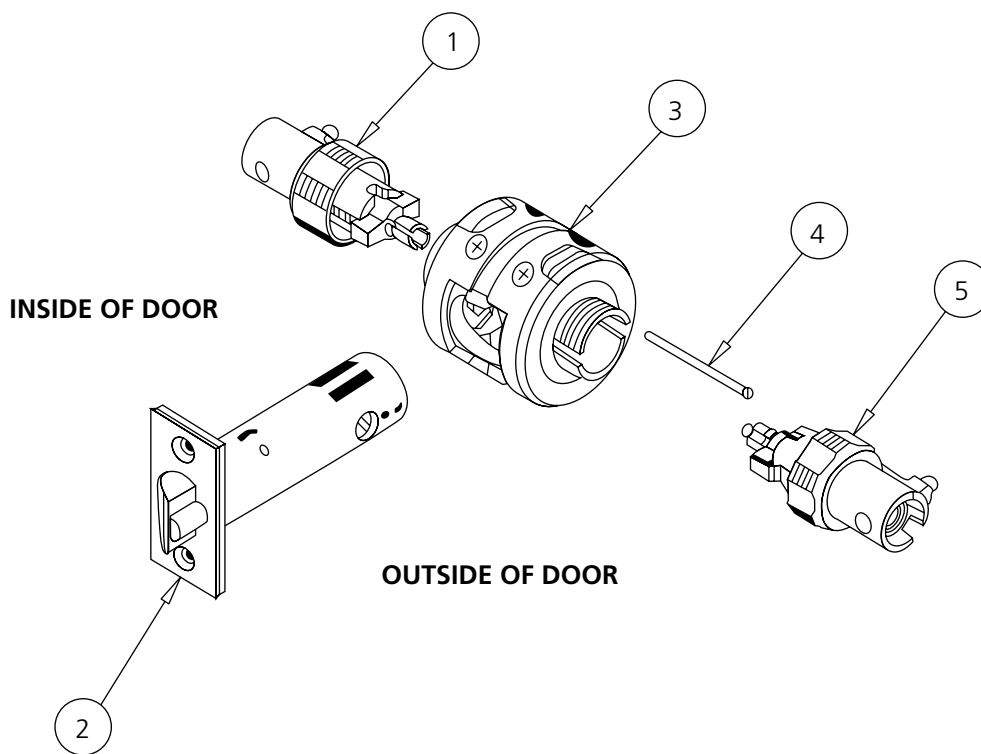
Note: Refer to pages 23-25 for part numbers associated with non-standard doors. For Lever and Rose options, see pages 26-27.



Item	Part Number	Description	Quantity
1	776F858	Inside Sleeve Assembly	1
2	*780F82	Latch Assembly, B	1
3	779F787	Bearing Assembly	1
4	778F868	Aligning Pin	1
5	776F658	Outside Sleeve Assembly	1

* Specify Finish

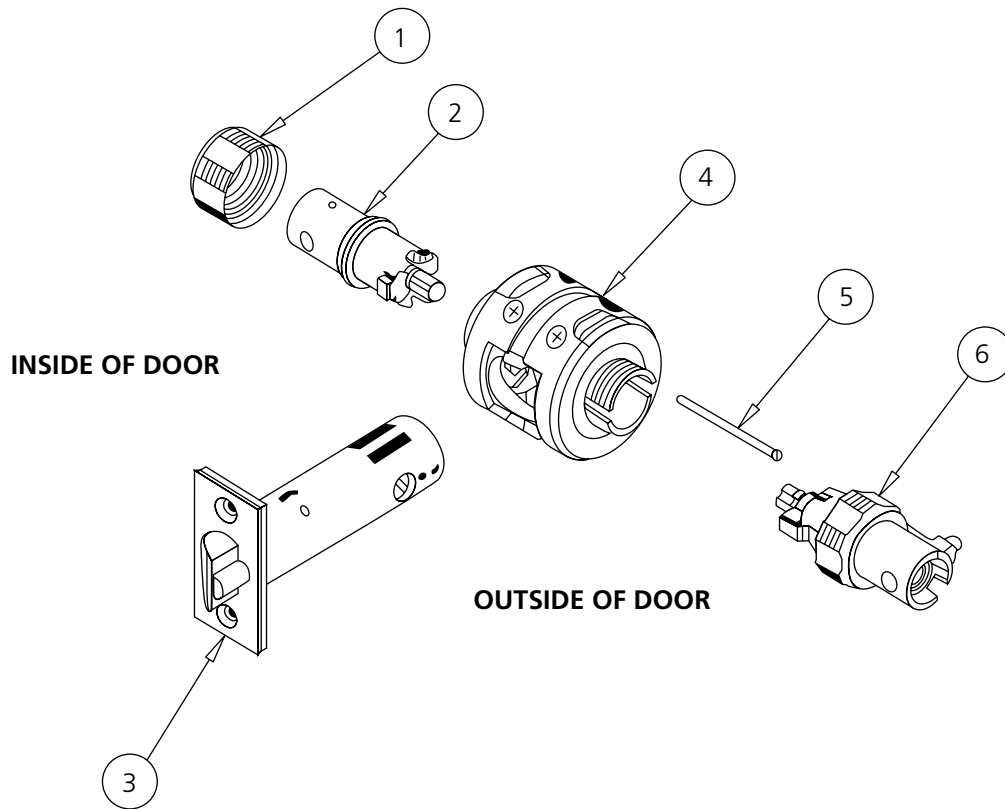
Note: Refer to pages 23-25 for part numbers associated with non-standard doors. For Lever and Rose options, see pages 26-27.



Item	Part Number	Description	Quantity
1	778F888	Inside Collar	1
2	776F878	Inside Sleeve Assembly	1
3	*780F82	Latch Assembly, B	1
4	779F787	Bearing Assembly	1
5	778F868	Aligning Pin	1
6	776F648	Outside Sleeve Assembly	1

* Specify Finish

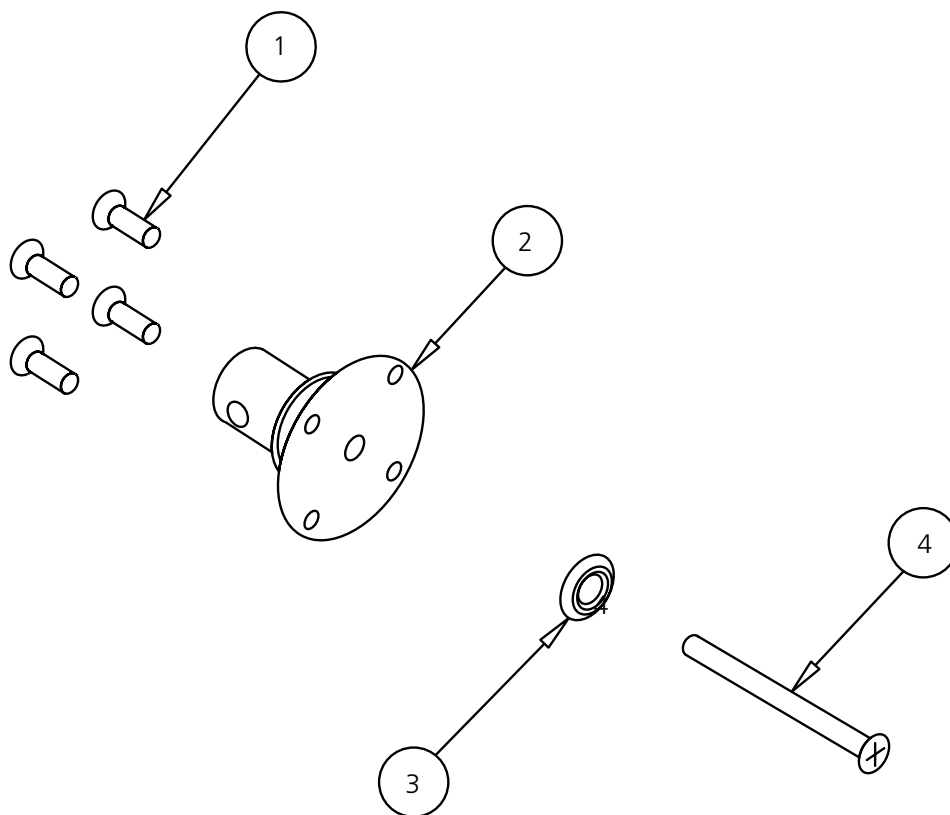
Note: Refer to pages 23-25 for part numbers associated with non-standard doors. For Lever and Rose options, see pages 26-27.



Item	Part Number	Description	Quantity
1	206F578	Screw, combo #8 PH	4
2	790F988	Inside Mounting Flange Assembly	1
3	*403F302	Cup Washer	1
4	*350F318	Machine Screw 1/4-20 x 2-3/4"	1

* Specify Finish

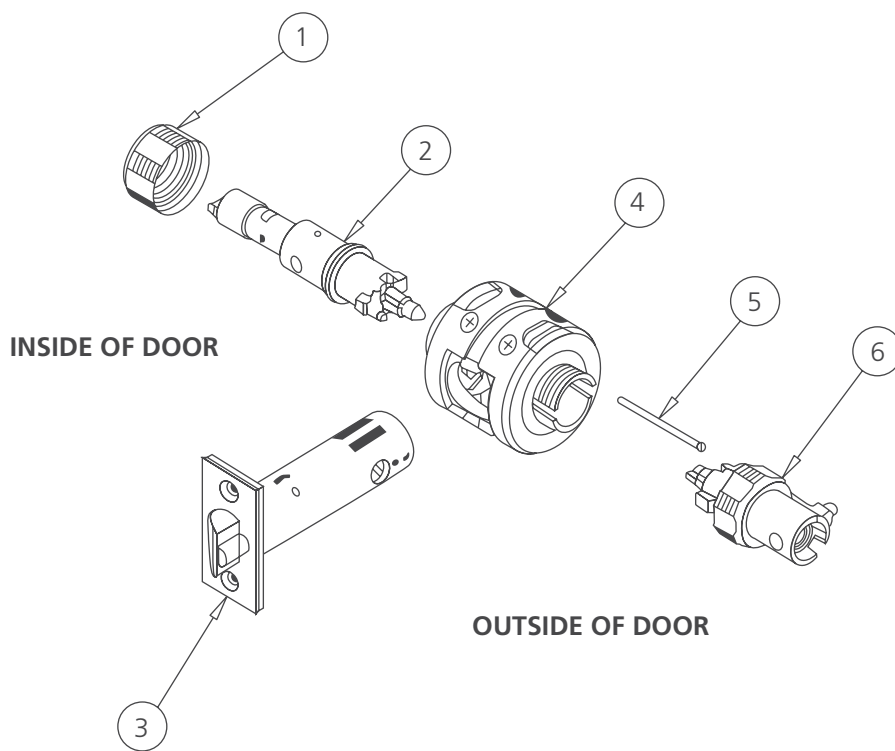
Note: Refer to pages 23-25 for part numbers associated with non-standard doors. For Lever and Rose options, see pages 26-27.



Item	Part Number	Description	Quantity
1	778F888	Inside Collar	1
2	*776F002	Inside Sleeve Assembly	1
3	*780F82	Latch Assembly, B	1
4	779F787	Bearing Assembly	1
5	778F868	Aligning Pin	1
6	776F638	Outside Sleeve Assembly	1

* Specify Finish

Note: Refer to pages 23-25 for part numbers associated with non-standard doors.

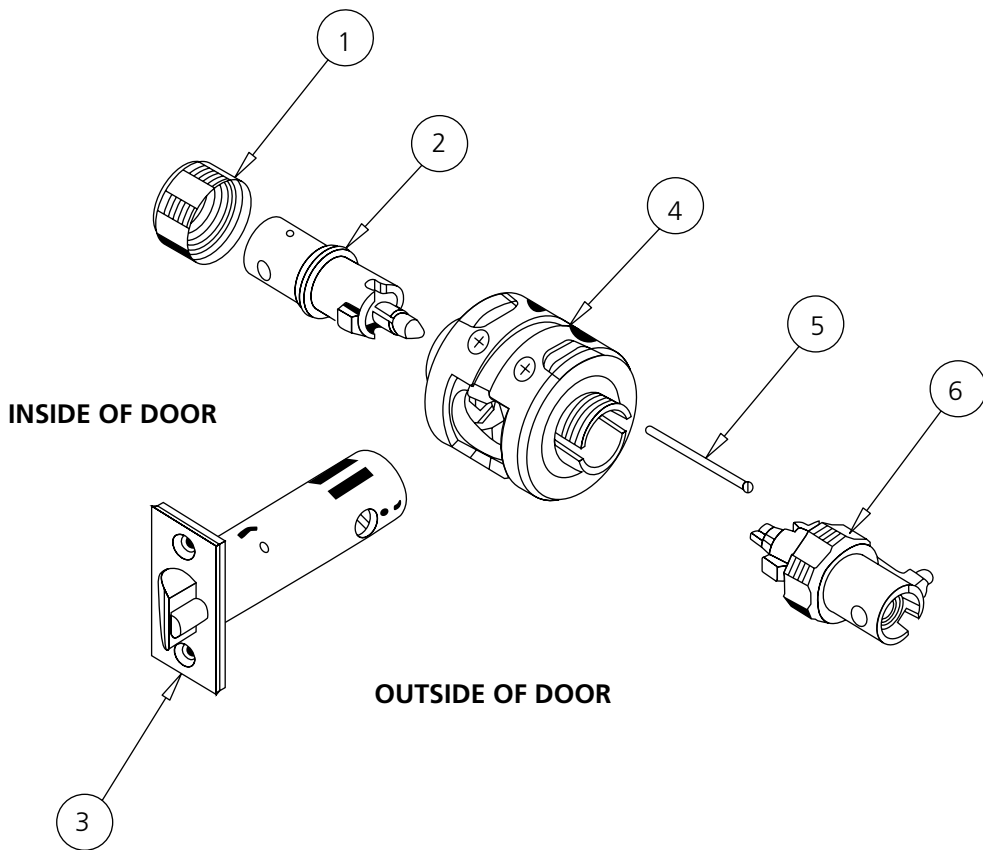


Item	Part Number	Description	Quantity
1	778F888	Inside Collar	1
2	776F848	Inside Sleeve Assembly	1
3	*780F82	Latch Assembly, B	1
4	779F787	Bearing Assembly	1
5	778F868	Aligning Pin	2
6	776F688	Outside Sleeve Assembly	1

* Specify Finish

** Screws are provided in a packet for the latch and strike (ANSI std) and are not sold separately.

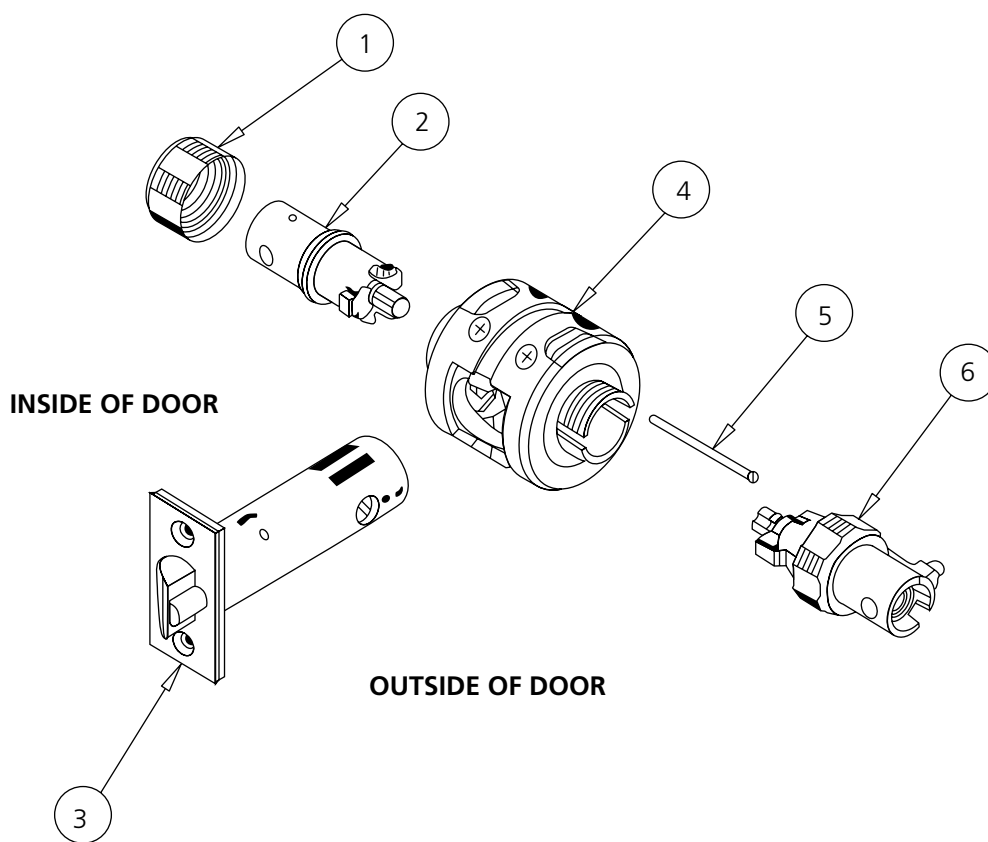
Note: Refer to pages 23-25 for part numbers associated with non-standard doors. For Lever and Rose options, see pages 26-27.



Item	Part Number	Description	Quantity
1	778F888	Inside Collar	1
2	776F708	Inside Sleeve Assembly	1
3	*780F82	Latch Assembly, B	1
4	779F787	Bearing Assembly	1
5	778F868	Aligning Pin	1
6	776F668	Outside Sleeve Assembly	1

* Specify Finish

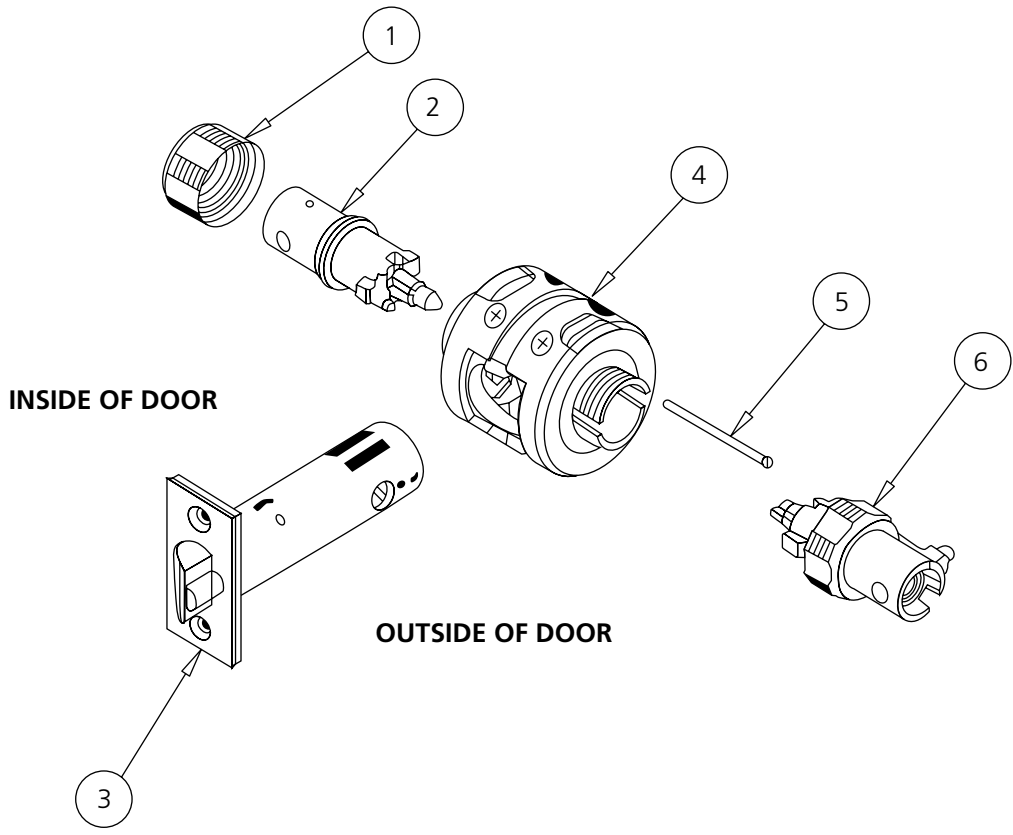
Note: Refer to pages 23-25 for part numbers associated with non-standard doors. For Lever and Rose options, see pages 26-27.



Item	Part Number	Description	Quantity
1	778F888	Inside Collar	1
2	776F878	Inside Sleeve Assembly	1
3	*780F82	Latch Assembly, B	1
4	779F787	Bearing Assembly	1
5	778F868	Aligning Pin	1
6	776F638	Outside Sleeve Assembly	1

* Specify Finish

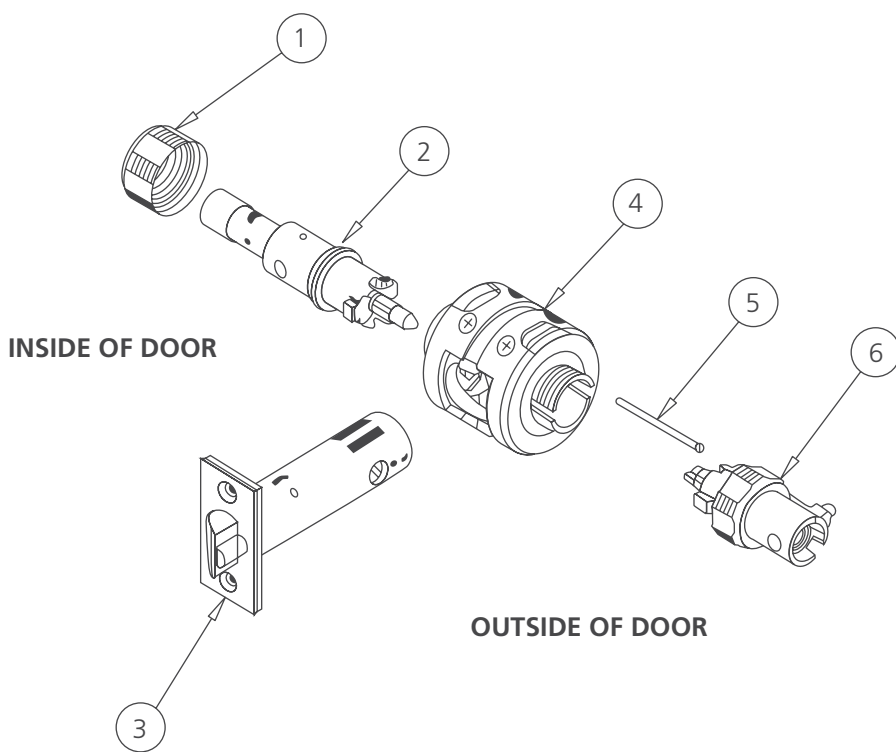
Note: Refer to pages 23-25 for part numbers associated with non-standard doors. For Lever and Rose options, see pages 26-27.



Item	Part Number	Description	Quantity
1	778F888	Inside Collar	1
2	*776F022	Inside Sleeve Assembly	1
3	*780F85	Latch Assembly, K	1
4	779F787	Bearing Assembly	1
5	778F868	Aligning Pin	1
6	775F808	Outside Sleeve Assembly	1

* Specify Finish

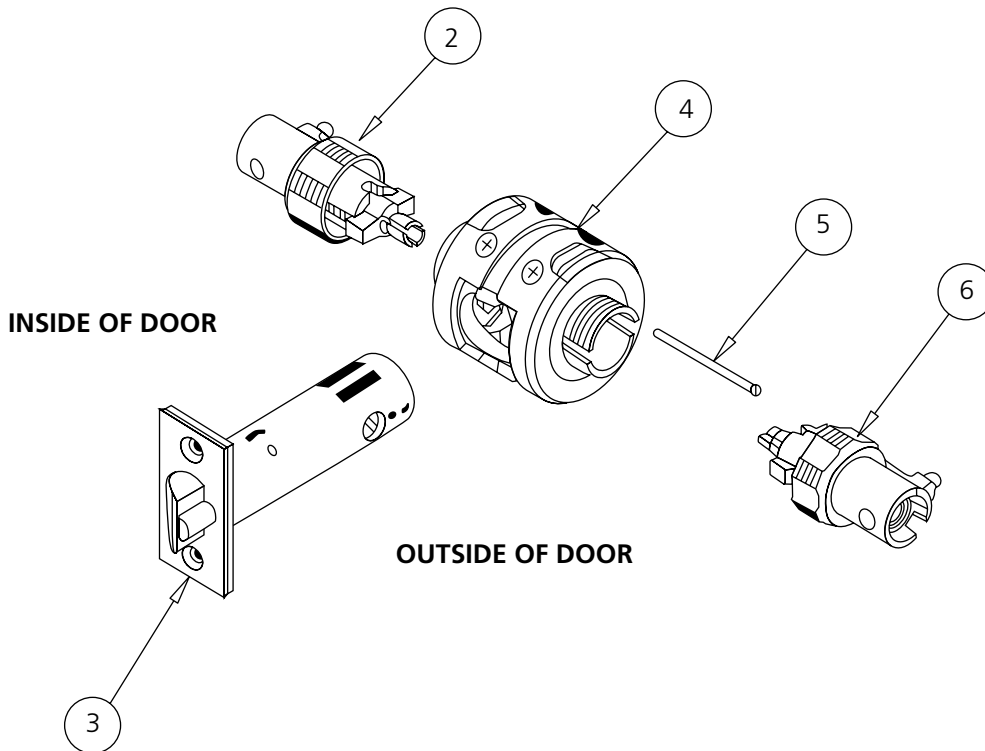
Note: Refer to pages 23-25 for part numbers associated with non-standard doors. For Lever and Rose options, see pages 26-27.



Item	Part Number	Description	Quantity
2	776F868	Inside Sleeve Assembly (Includes Collar)	1
3	*780F82	Latch Assembly, B	1
4	779F787	Bearing Assembly	1
5	778F868	Aligning Pin	2
6	776F668	Outside Sleeve Assembly	1

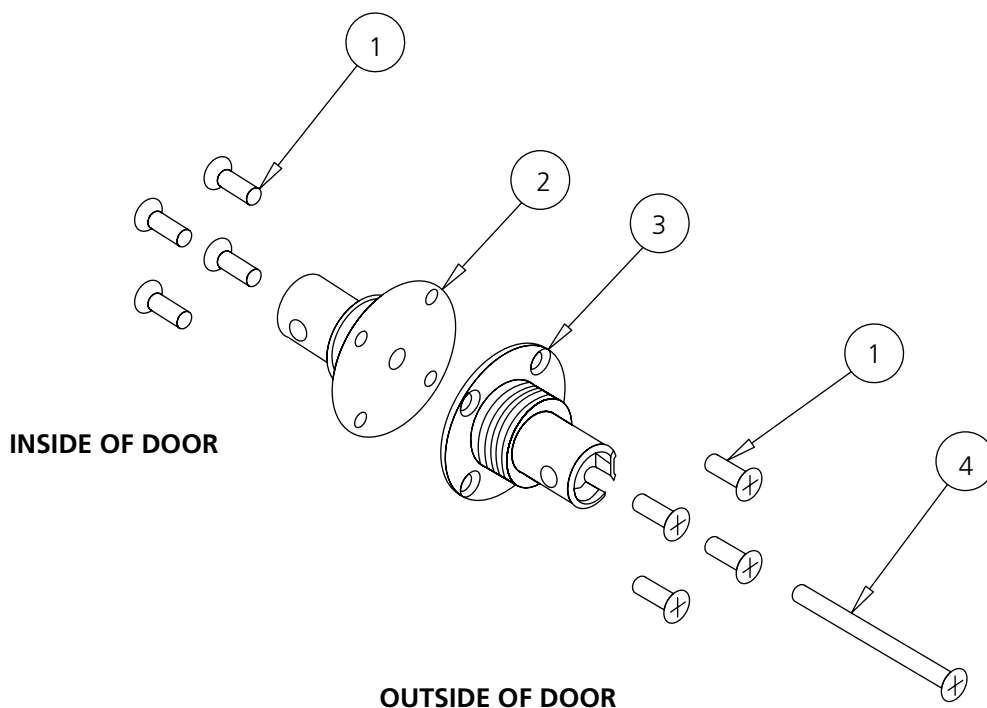
* Specify Finish

Note: Refer to pages 23-25 for part numbers associated with non-standard doors. For Lever and Rose options, see pages 26-27.



Item	Part Number	Description	Quantity
1	206F578	Screw, combo #8 PH	8
2	790F988	Inside Mounting Flange Assembly	1
3	790F998	Outside Mounting Flange Assembly	1
4	350F318	Machine Screw 1/4-20 x 2-3/4"	1

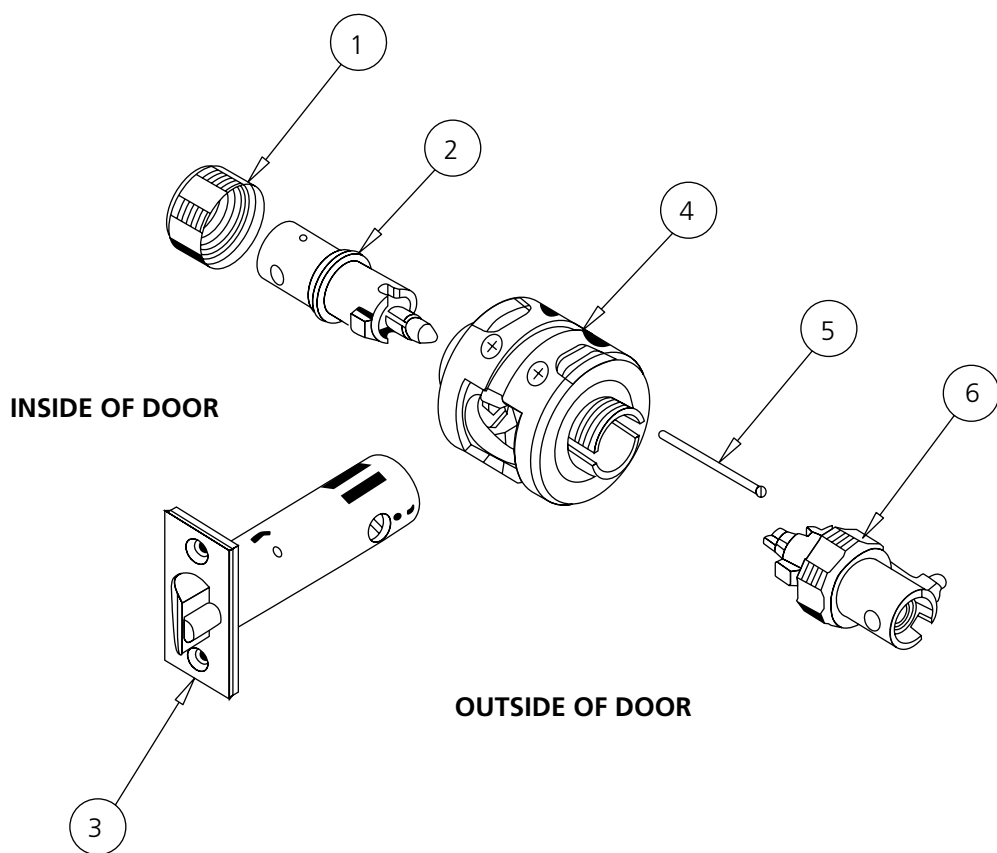
Note: Refer to pages 23-25 for part numbers associated with non-standard doors. For Lever and Rose options, see pages 26-27.



Item	Part Number	Description	Quantity
1	778F888	Inside Collar	1
2	776F848	Inside Sleeve Assembly	1
3	*780F82	Latch Assembly, B	1
4	779F787	Bearing Assembly	1
5	778F868	Aligning Pin	2
6	776F638	Outside Sleeve Assembly	1

* Specify Finish

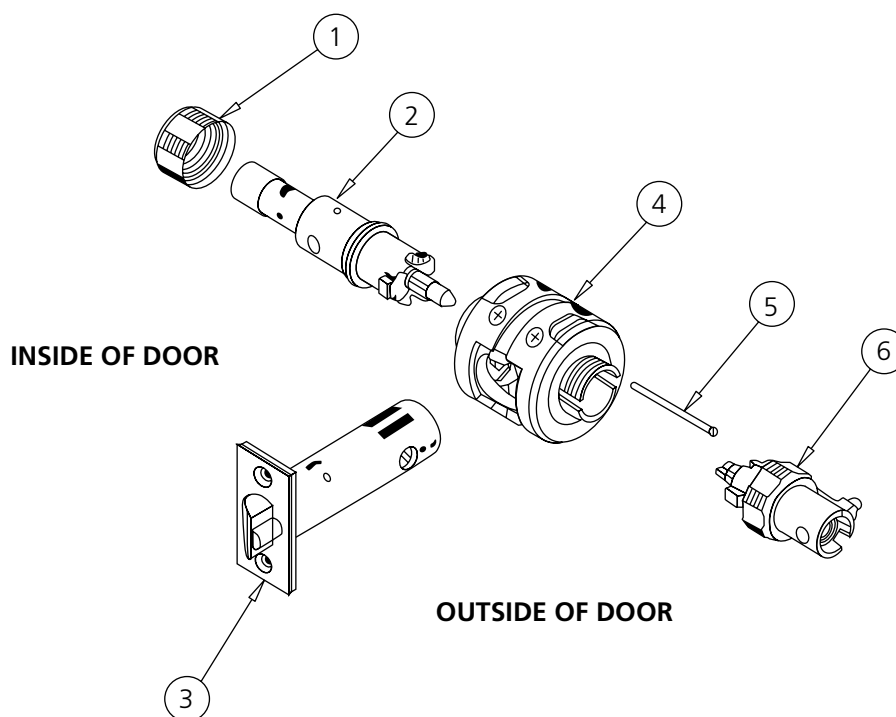
Note: Refer to pages 23-25 for part numbers associated with non-standard doors. For Lever and Rose options, see pages 26-27.



Item	Part Number	Description	Quantity
1	778F888	Inside Collar	1
2	776F042	Inside Sleeve Assembly	1
3	*780F84	Latch Assembly, D	1
4	779F787	Bearing Assembly	1
5	778F868	Aligning Pin	1
6	776F688	Outside Sleeve Assembly	1

* Specify Finish

Note: Refer to pages 23-25 for part numbers associated with non-standard doors. For Lever and Rose options, see pages 26-27.

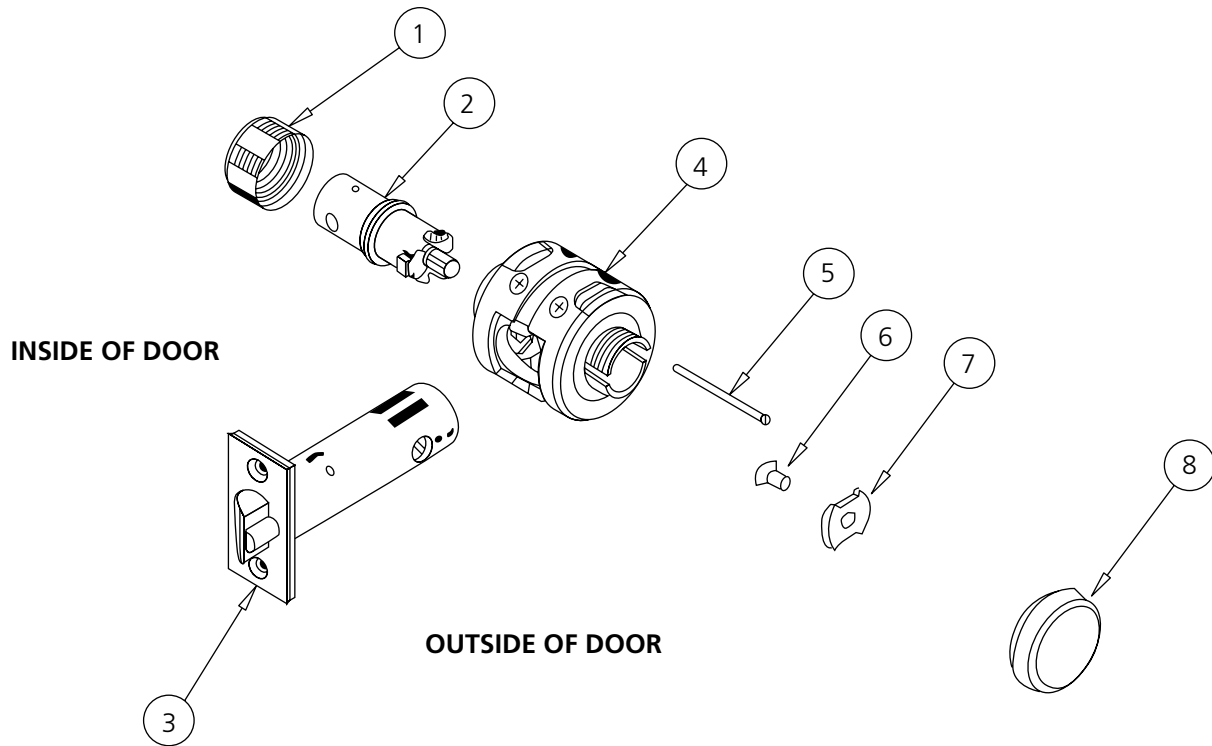


Item	Part Number	Description	Quantity
1	778F888	Inside Collar	1
2	776F708	Inside Sleeve Assembly	1
3	*780F82	Latch Assembly, B	1
4	779F787	Bearing Assembly	1
5	778F868	Aligning Pin	1
6	269F808	Countersunk Flat Head Screw 10-24 x 3/8" (1-3/4" Door)	1
7	778F968	Anchor Plate	1
8	*778F91	Rosette Plug	1

* Specify Finish

** Screws are provided in a packet for the latch and strike (ANSI std) and are not sold separately.

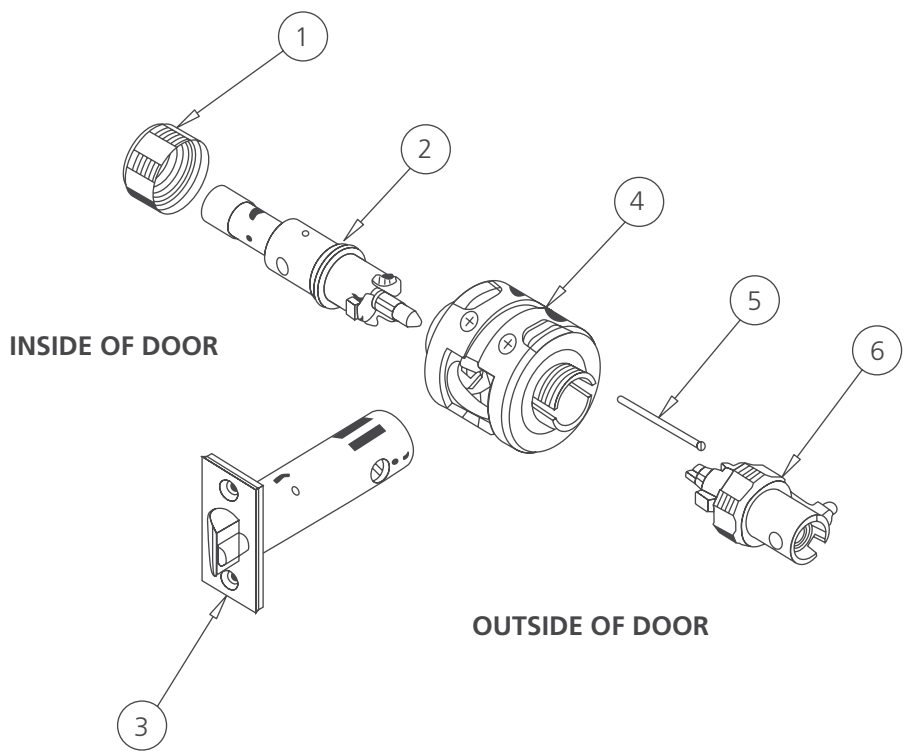
Note: Refer to pages 23-25 for part numbers associated with non-standard doors. For Lever and Rose options, see pages 26-27.

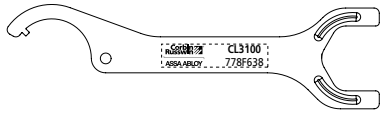



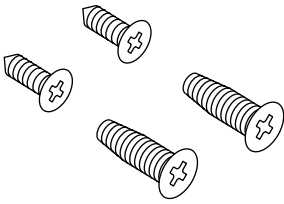
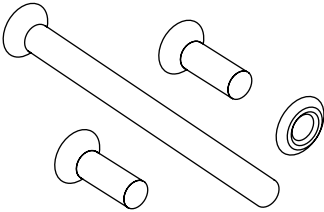
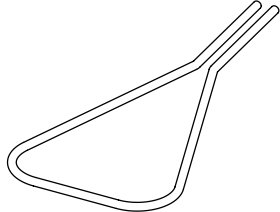
Item	Part Number	Description	Quantity
1	778F888	Inside Collar	1
2	*776F012	Inside Sleeve Assembly	1
3	*780F84	Latch Assembly, D	1
4	779F787	Bearing Assembly	1
5	778F868	Aligning Pin	1
6	776F638	Outside Sleeve Assembly	1

* Specify Finish

Note: Refer to pages 23-25 for part numbers associated with non-standard doors. For Lever and Rose options, see pages 26-27.



<p>Collar/Rosette Installation Wrench</p>	<p>Allen Key Wrench</p>	<p>M111 Screwdriver</p>
		
<p>Part No. 778F638</p>	<p>Part No. 780F638</p>	<p>Part No. 780F208</p>

<p>Screw Packet Containing countersunk flat head combination screw #12 x 15/16", countersunk flat head combination screw #8 x 11/16"</p>	<p>Mounting Kit Packet For CL3150 Half Dummy Trim and CL3170 Full Dummy Trim</p>	<p>Rose Installation Tool</p>
		
<p>Part No. *604F228</p>	<p>Part No. *775F908 - CL3150 775F918 - CL3170</p>	<p>Part No. 753F598</p>

*Specify Finish

Standard Sleeve Assemblies

Part No.	10	20	20H	29	32	40NT	51	52	55	57	61	62	72	75	80	93
775F808											O/S					
*776F002							I/S									
*776F012																I/S
*776F022											I/S					
*776F032				I/S												
*776F042		I/S	I/S											I/S		
776F638							O/S			O/S			O/S			O/S
776F648						O/S										
776F658					O/S											
776F668									O/S			O/S				
776F678				O/S												
776F688								O/S						O/S		
776F698		O/S	O/S													
776F708	I/S- O/S								I/S							I/S
776F848								I/S					I/S			
776F858					I/S											
776F868												I/S				
776F878						I/S				I/S						

D214 Sleeve Assemblies

	Part No.	10	20	20H	29	32	40NT	51	52	55	57	61	62	72	75	80	93
STD	775F848											O/S					
	*776F052							I/S									
	*776F062																I/S
	*776F072											I/S					
	*776F082				I/S												
	*776F092		I/S	I/S											I/S		
	777F638							O/S				O/S		O/S			O/S
	777F648						O/S										
	777F658					O/S											
	777F668									O/S			O/S				
	777F678				O/S												
	777F688									O/S						O/S	
	777F698		O/S	O/S													
	777F708	I/S- O/S									I/S						I/S
	777F848									I/S					I/S		
	777F858					I/S											
	777F868													I/S			
777F878						I/S					I/S						
I/C	775F858											O/S					
	777F718							O/S			O/S			O/S			O/S
	777F728					O/S											
	777F738									O/S			O/S				
	777F748								O/S						O/S		
	777F928								I/S					I/S			
	777F938					I/S											
	777F948												I/S				

* Specify Finish
^STD or I/C

Sleeve Assemblies – Interchangeable Core

Part No.	32	51	52	55	57	61	62	72	75	93
775F818						O/S				
776F718		O/S			O/S			O/S		O/S
776F728	O/S									
776F738				O/S			O/S			
776F748			O/S						O/S	
776F918						I/S			I/S	
776F928			I/S					I/S		
776F938	I/S									
776F948							I/S			

Sleeve Assemblies - M16 (3/4" Throw Fire Latch)

Part No.		10	51	55	57	72	80
Standard	779F638		O/S		O/S	O/S	
	779F648			O/S			
	779F658	I/S-O/S		I/S			I/S
	779F728					I/S	
	779F738				I/S		
	779F748		I/S				
Interchangeable Core	779F668		O/S		O/S	O/S	
	779F678			O/S			
	779F758					I/S	

Note: M16 not available with D214 option.

M111 Sleeve Assemblies

	Part No.	29	32	51	52	55	57	61	62	72	75	93
Standard	775F828							O/S				
	776F758			O/S			O/S			O/S		O/S
	776F768		O/S									
	776F778					O/S			O/S			
	776F788	O/S										
	776F798				O/S						O/S	
	776F958				I/S					I/S		
	776F968		I/S									
Interchangeable Core	775F838							O/S				
	776F808			O/S			O/S			O/S		O/S
	776F818		O/S									
	776F828					O/S			O/S			
	776F838				O/S						O/S	
	776F988				I/S					I/S		
	776F998		I/S									
	777F208								I/S			

M111 Sleeve Assemblies - D214

	Part No.	29	32	51	52	55	57	61	62	72	75	93
Standard	775F868							O/S				
	777F758			O/S			O/S			O/S		O/S
	777F768		O/S									
	777F778					O/S			O/S			
	777F788	O/S										
	777F798				O/S						O/S	
	777F958				I/S					I/S		
	777F968		I/S									
Interchangeable Core	775F878							O/S				
	777F808			O/S			O/S			O/S		O/S
	777F818		O/S									
	777F828					O/S			O/S			
	777F838				O/S						O/S	
	777F988				I/S					I/S		
	777F998		I/S									

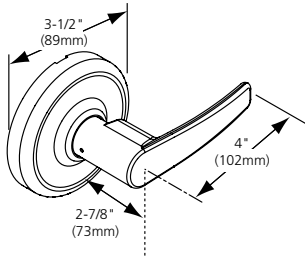
Standard*	Code	Lock Function															
		10	20	20H	29	32	40NT	51	52	55	57	61	62	72	75	80	93
780F81	A	x															
780F82	B					x	x	x	x	x	x		x	x		x	
780F83	C		x	x													
780F84	D				x										x		x
780F85	K											x					
3-3/4" Backset*																	
780F86	A	x															
780F87	B					x	x	x	x	x	x		x	x		x	
780F88	C		x	x													
780F89	D				x										x		x
780F90	K											x					
5" Backset*																	
780F91	A	x															
780F92	B					x	x	x	x	x	x		x	x		x	
780F93	C		x	x													
780F94	D				x										x		x
780F95	K											x					
M16 3/4" Throw Fire Latch*																	
780F96		x							x		x	x			x		x

Note: Code letter stamped on inside corner of latch front identifies function(s) compatible with the latch assembly.
 *Specify Finish

Armstrong



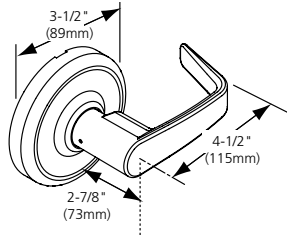
Lever: Die cast zinc
Rose: Brass



Newport



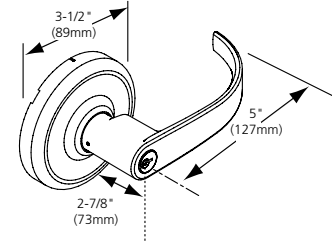
Lever: Die cast zinc
Rose: Brass



Princeton



Lever: Die cast zinc
Rose: Brass



Note: Images shown with D Rose. Other rose assemblies available on page 27.

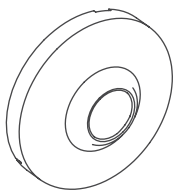
Standard Levers

Application	Armstrong	Newport	Princeton
Plain	776F215	790F215	778F215
Cylinder or Button	776F225	790F225	778F225
Emergency Key Hole	776F235	790F235	778F235
Intruder	776F245	790F245	778F245
Sargent® Cylinder Cutout	776F335	790F335	778F335
Sargent Cylinder Cutout - Intruder	776F345	790F345	778F345
I/C Cylinder - 6 Pin	776F395	790F395	778F395
I/C Cylinder - 6 Pin Intruder	776F405	790F405	778F405
I/C Cylinder - 7 Pin	776F415	790F415	778F415
I/C Cylinder - 7 Pin Intruder	776F425	790F425	778F425
Best® Cylinder Cutout	776F515	790F515	778F515
Best Cylinder Cutout Intruder	776F525	790F525	778F525
Schlage® IC Cylinder Cutout	776F575	790F575	778F575
Schlage IC Cylinder Cutout - Intruder	776F585	790F585	778F585

M111 Levers (Security)

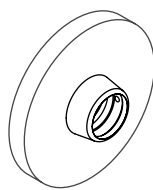
Application	Armstrong	Newport	Princeton
Cylinder or Button	777F225	780F225	779F225
Intruder	777F245	780F245	779F245
Sargent Cylinder Cutout	777F335	780F335	779F335
Sargent Cylinder Cutout - Intruder	777F345	780F345	779F345
I/C Cylinder - 6 Pin	777F395	780F395	779F395
I/C Cylinder - 6 Pin Intruder	777F405	780F405	779F405
I/C Cylinder - 7 Pin	777F415	780F415	779F415
I/C Cylinder - 7 Pin Intruder	777F425	780F425	779F425
Best I/C Cylinder Cutout	777F515	780F515	779F515
Best I/C Cylinder Cutout Intruder	777F525	780F525	779F525
Schlage I/C Cylinder Cutout	777F575	780F575	779F575
Sargent I/C Cylinder Cutout - Intruder	777F585	780F585	779F585

D Rose (standard)
3-1/2" Dia.
Brass



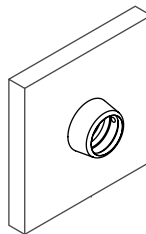
678F252* - Rose Assembly

C Rose
2-3/4" Dia.
Brass



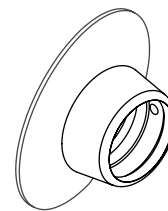
779F97* - Rose Assembly
778F90* - Rosette

E Rose
3-1/8" Sq.
Brass



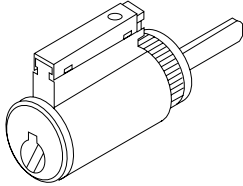
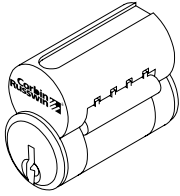
779F98* - Rose Assembly
778F90* - Rosette

K Rose
2-3/4" Dia.
Brass



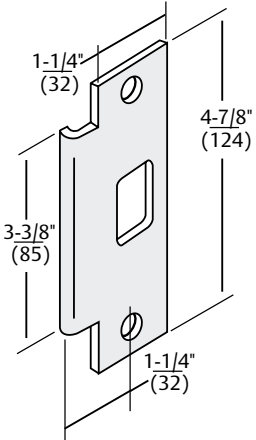
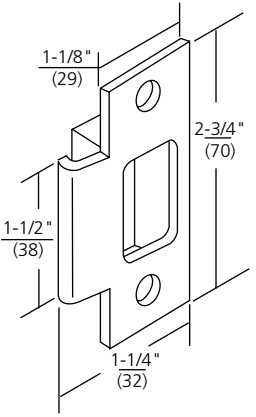
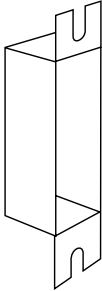
779F99* - Rose Assembly
778F90* - Rosette

* Specify Finish

	
.496" plug dia. Pyramid .509" plug dia. conventional .552" plug dia. security Brass, 6-pin 2 nickel silver keys Finishes: 606, 626	.496" plug dia. Pyramid .509" plug dia. conventional .552" plug dia. security Brass, 6-pin 2 nickel silver keys Finishes: 606, 626, 611, 612, 613, 625, 605

Compatibility with Competitive Cylinders	
Competitive Cylinders	Parts Required for Installation
<i>Schlage</i> conventional 21-002, 23-001 or 23-013 (<i>Quick Code M06</i>)	778F788 Tailpiece included with M06 options.
<i>Schlage Primus</i> 20-548, 20-78 or 20-750 (<i>Quick Code M06</i>)	778F788 Tailpiece included with M06 options.
Best® style core, 6 or 7 Pin (<i>Quick Code M08</i>)	780F658 Kit includes driver and SFIC 6 & 7 pin spacers.
Sargent 13-4145 (<i>Quick Code M09</i>)	775F948 Tailpiece kit and special lever included.
<i>Schlage IC Core</i> (<i>Quick Code M69</i>)	631F228 Kit includes tailpiece and retaining ring. Specify option M69.
Corbin Russwin <i>LFIC</i> Tailpiece	780F648 Kit includes driver, spacer, and security disc for LFIC 6 & 7 pin.

Cylinder Catalog #	Description	Interchangeable Core
2000-031	Conventional 6-Pin	8000
2000-031-7	Conventional 7-Pin	8000-7
2010-031	Emhart Security	8010
2001-031	Hotel 6-Pin	8001-031
2001-031-7	Hotel 7-Pin	8001-031-7
2027-031	Pyramid Security	8027
2020-031	Pyramid High Security	8020
2400-031-C	Schlage® C Keyway	NA
2400-031-LA	Sargent® LA Keyway	NA
2400-031-CK	Schlage C-K Keyway	NA

	
<p>ANSI Curved Lip (standard) Brass or bronze 4-7/8" (124mm) x 1-1/4" (32mm) x 1-1/4" (32mm) lip to center. Optional lip lengths: 1" (25mm), 1-1/8" (29mm), 1-3/8" (35mm), 1-1/2" (38mm), 1-3/4" (44mm), 2" (51mm), 2-1/4" (57mm), 2-1/2" (63mm), 2-3/4" (70mm), 3" (76mm).</p> <p>To order, specify 217L13 x Lip Length x Finish.</p> <p style="text-align: center;">Part No. 217L13</p>	<p>Curved Lip "T" Strike (optional) Brass, bronze, or stainless steel 2-3/4" (70mm) x 1-1/8" (29mm) x 1-1/4" (32mm) lip to center. Optional lip lengths: 1" (25mm), 1-1/8" (29mm), 1-3/8" (35mm), 1-1/2" (38mm), 1-3/4" (44mm), 2" (51mm), 2-1/4" (57mm), 2-1/2" (64mm), 2-3/4" (70mm), 3" (76mm).</p> <p>To order, specify 586L19 x Lip Length x Finish.</p> <p style="text-align: center;">Part No. 586L19</p>
	
<p>ANSI Wrought Strike Box To order, specify 120F76-8.</p> <p style="text-align: center;">Part No. 120F768</p>	



ASSA ABLOY

**Grade 1 Key-In-Lever
VR Lever Lock
CL3100 Series
U.S. Patent No. 6,626,018**

In U.S.: Corbin Russwin, Inc.
225 Episcopal Road
Berlin, CT 06037-4004
www.corbinrusswin.com

TPS-Phone: 888-607-5703
TPS-Fax: 800-828-7277

In Canada: ASSA ABLOY Door
Security Solutions Canada
160 Four Valley Drive
Vaughan, Ontario, Canada L4K 4T9
www.assaabloy.ca

Installation Instructions

FM 345 08/12

Attention Installer

Please read these instructions carefully to prevent missing important steps.
Please note: Improper installation may result in damage to the lock and void the factory warranty.

IMPORTANT: The accuracy of the door preparation is critical for the proper functioning and security of this lever handle lock. Misalignment can cause premature wear and reduced security.

Installation Step	Lock Components	Parts
3	Latch bolt	1-4
5	Sleeves	5-7
7	Rose	8-10
8	Levers	11-14
13	High security lever	optional
14	Dummy trim	optional

Item	Description	Qty
1	Bearing SA	1
2	Latch SA	1
3	Aligning Pin	1
4	Screw packet	1
5	Inside Sleeve SA	1
6	Outside Seeve SA	1
7	Collar, Sleeve SA	1
8	Plate, Rose Support	2
9	Collar, Rose Support Plate	2
10	Rose	2
11	Cylinder	1
12	Outside Lever	1
13	Inside Lever	1
14	6 Lobe Security Set Screw 1/4-28 x11/64	2

CL3100 Wrench

rose installation tool (RIT)

6 lobe security wrench

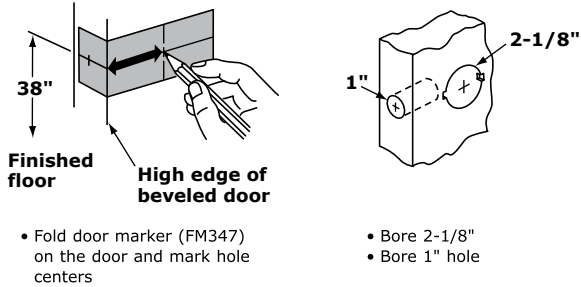
To view helpful video installation tips, scan the Microsoft® Tags with your mobile phone. Download the free app at <http://gettag.mobi>.

Copyright © 2012 Corbin Russwin, Inc., an ASSA ABLOY Group company. All rights reserved. Reproduction in whole or in part without the express written permission of Corbin Russwin, Inc. is prohibited.

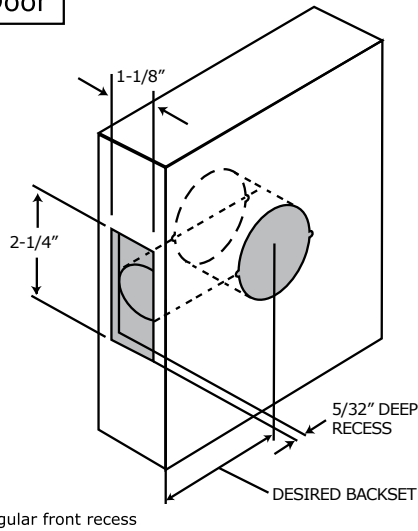
ASSA ABLOY, the global leader in door opening solutions (1)

1 Door & Frame Preparation

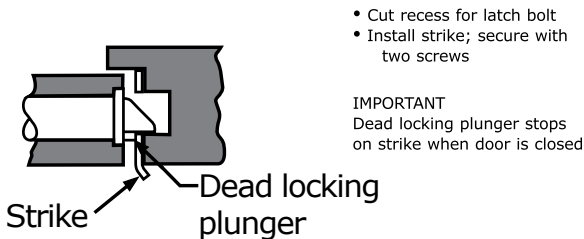
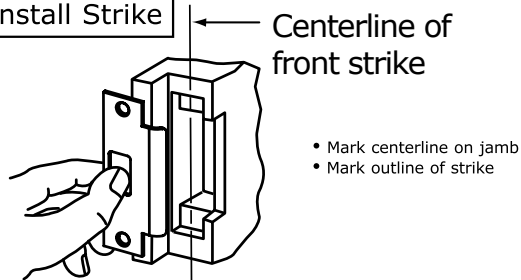
1A Mark Door



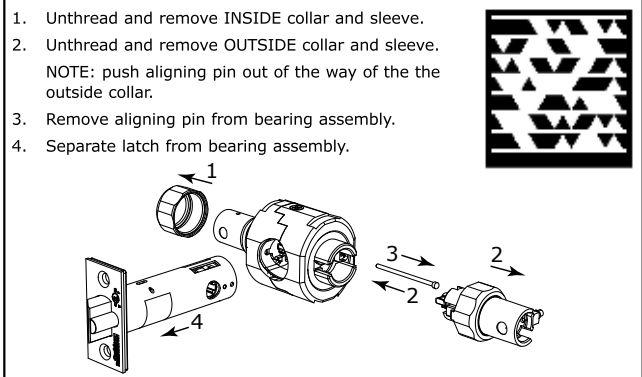
1B Drill Door



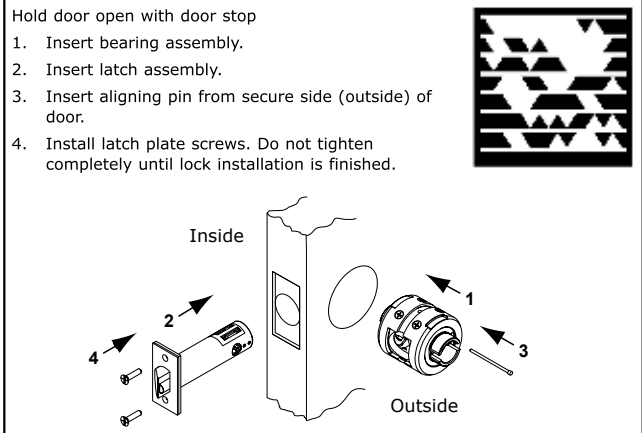
1C Install Strike



2 Lock Disassembly



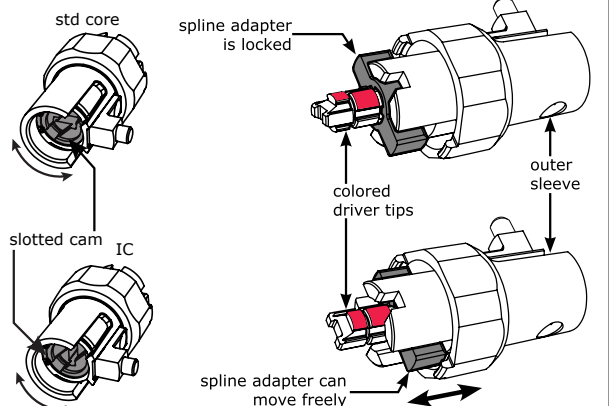
3 Latch Installation



4 Driver Tip Alignment

STOP **IMPORTANT: Sleeves with colored driver tips require that the slotted cam be rotated allowing the spring loaded spline adapter to move freely in and out of the outside sleeve.**

Driver Tips with red markings must match up before assembling lock. Test to insure that spline adapter can move freely. NOTE: Some driver tips have two color markings for function identification. See chart on the following page.



Function Specific Instructions - Sleeve Installation

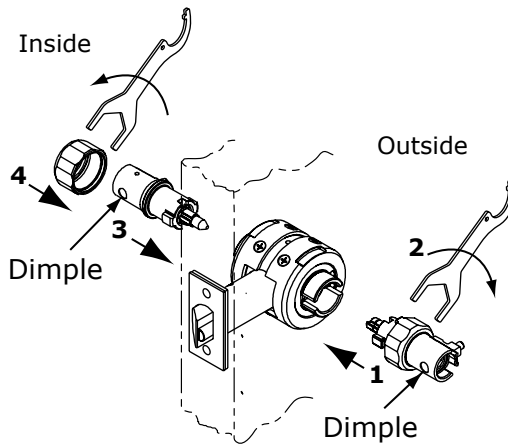
See Specific Instructions Per Function. Identify Function On Box (Example: CL3151)
 For functions not shown proceed to next step. sleeve installation.

Outside Sleeve	Driver Tip Color	Function Number	Function Description	Inside Sleeve
Align driver tips, and orient the cam as illustrated on (page 2 step 4). Spline adapter will move freely.	NONE	CL3132	Utility/Institutional	Sleeve Installation (page 3 step 5)
	RED	CL3157	Storeroom/Closet	
	RED	CL3172	Exits/Public Toilets/ Apartment	
	RED	CL3151	Entrance/Office	
	RED	CL3161	Entry/Office	
	RED	CL3193	Service Station	
Align driver tips (page 2 step 4) Spline adapter always moves freely.	RED & BLUE	CL3120	Privacy/Bedroom/ Bathroom	
	RED & GREEN	CL3152	Classroom Intruder	
	RED & GREEN	CL3175	Corridor/ Dormitory Lock	

5 Sleeve Installation

1. With driver tips aligned, insert outside sleeve first. Dimple must face door edge.
2. Thread outside collar by hand. Tighten to bearing assembly with wrench.
3. Insert inside sleeve. Dimple must face door edge.
4. Thread inside collar by hand. Tighten to bearing assembly with wrench.

Caution: If excessive wrench torque is required, stop and check alignment of driver tips: page 2 step 4.

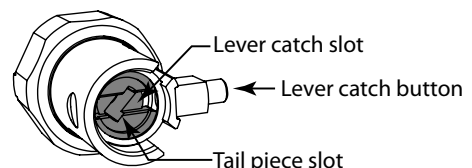
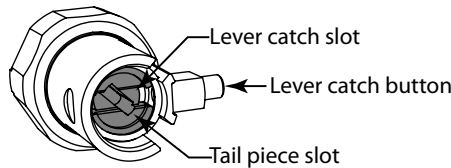


6 Cam Orientation

1. Lock lever by button if applicable
2. Turn slotted cam until lever catch button can be depressed.

Slotted Cam Orientation: Standard Cylinder

Slotted Cam Orientation: IC Cylinder



Copyright © 2012 Corbin Russwin, Inc., an ASSA ABLOY Group company. All rights reserved. Reproduction in whole or in part without the express written permission of Corbin Russwin, Inc. is prohibited.



ASSA ABLOY, the global leader in door opening solutions (3)

7

Rose Installation

D Rose

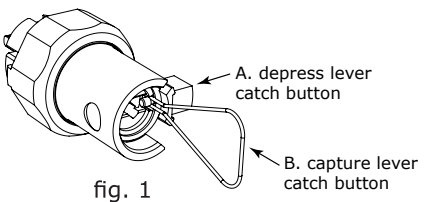
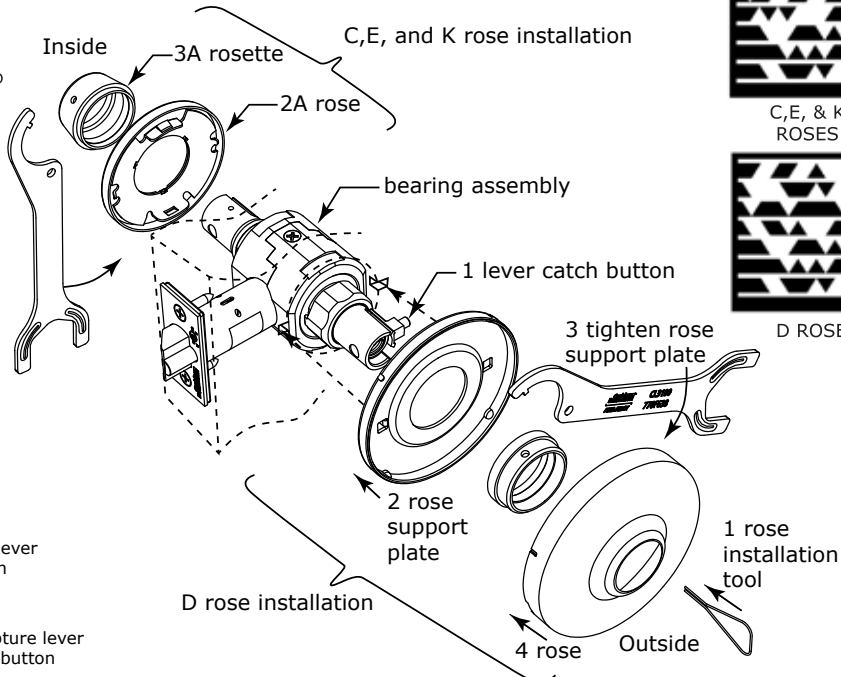
1. Orient cam and depress lever catch button(see cam orientation diagram page 3 step 6). The lever catch button will slide into the lever catch slot in the cam. Use the rose installation tool (RIT) to retain the lever catch button-see fig.1 below for RIT instructions (for D rose installation only). Lock lever by button if applicable.

2. Install rose support plate. Note the flange orientation and door prep.
3. Install rose support plate collar and tighten with CL3100 wrench.
4. Install rose onto rose support plate.

C,E, and K Rose

- 2A. Install C, E, or K rose. Note flange and bearing orientation.
- 3A. Install rosette and tighten with the CL3100 wrench.

Caution: If excessive wrench torque is required, stop & check for cross-threading



Function Specific Directions - Lever Installation

For functions not shown proceed to page 5 step 8

Inside Sleeve	Function Number	Function Description	Outside Sleeve
Lock lever by button	CL3120	Privacy/Bedroom/Bathroom	Rotate cam with emergency key until lever catch button can be depressed.
	CL3161	Entry/Office	Rotate cam until lever catch button can be depressed
CL3151	Entrance/Office		
CL3193	Service Station		
CL3157	Storeroom/Closet		
Align tailpiece and tailpiece slot in cam. Rotate key 45° CW until lever catch button can be depressed. Install lever.	CL3132	Utility/Institutional	Align tailpiece and tailpiece slot in cam. Rotate key 45° CW until lever catch button can be depressed. Install lever.
Rotate cam CCW until it stops.	CL3172	Exits/Public Toilets/ Apartment	Rotate cam until lever catch button can be depressed
Rotate cam CCW until it stops. Then rotate back 45 degrees until lever catch button can be depressed.	CL3162	Communicating	Rotate cam CCW until it stops. Then rotate back 45 degrees until lever catch button can be depressed.
Rotate cam CCW until it stops.	CL3152	Classroom Intruder	
	CL3155	Classroom	
	CL3175	Corridor/ Dormitory Lock	



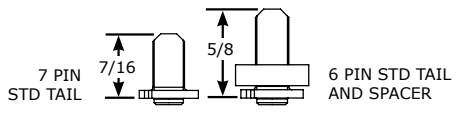
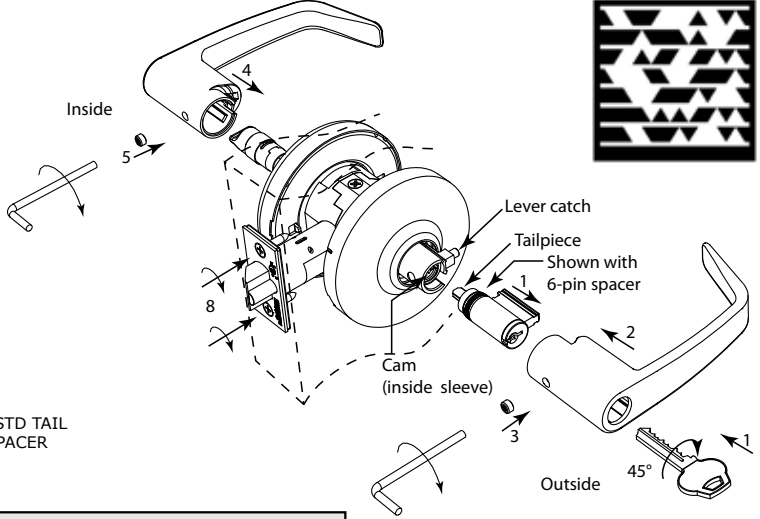
Copyright © 2012 Corbin Russwin, Inc., an ASSA ABLOY Group company. All rights reserved. Reproduction in whole or in part without the express written permission of Corbin Russwin, Inc. is prohibited.

(4)

ASSA ABLOY, the global leader in door opening solutions

8 Lever Installation

1. For conventional cylinder, place cylinder into lever. Insert key and turn 45° CLOCKWISE to align cylinder tailpiece with cylinder tail piece slot in cam (cam orientation-page 3 step 6). Note: 6 pin std. cylinder requires a spacer for cylinder to seat properly in the lever. For IC cylinder/lever removal and installation (page 6 step 12).
2. Install outside lever. Push on until lever catch engages.
3. Secure with 6 lobe security set screw until tight.
4. Install inside lever.
5. Secure with 6 lobe security set screw until tight.
6. Complete tightening of two latch bolt screws.
7. Check operation of levers and latch bolt before closing door.

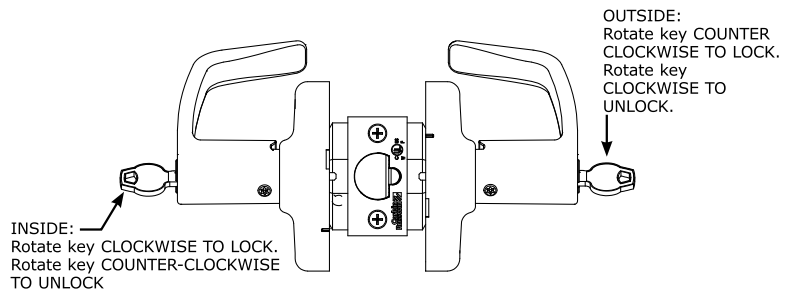


STOP TEST OPERATION: Rotate levers to see that latchbolt moves freely. **DO NOT FORCE.**
 If lockset does not operate properly, remove lockset from door and check door preparation.

9 CL3152 Classroom Intruder Operation Check

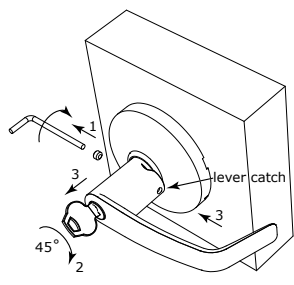
Please Note – When inside key locks outside lever, outside key retracts the latchbolt but cannot unlock the outside lever. Outside key must be rotated back completely clockwise before removing the key.

Inside lever is marked with "Lock" and direction arrows to indicate locking direction



10 Cylinder Removal (Conventional)

1. Remove 6 lobe security set screw.
 2. Insert key and rotate 45° clockwise to release lever catch.
 3. Depress lever catch and remove lever.
- Please Note: Interchangeable core cylinders do not require removing the lever to remove (page 6 step 12D).



11 CL3120 Outside Lever Removal

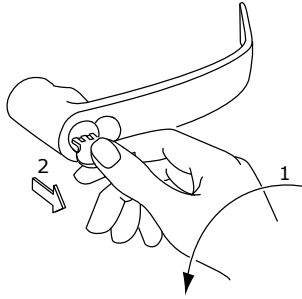
1. Remove 6 lobe security set screw.
2. Orient cam in outside sleeve with flat blade screwdriver to release lever catch button (page 3 step 6).
3. Depress lever catch and remove lever.

12 IC CYLINDER AND LEVERS - INSTALLATION / REMOVAL

CORBIN RUSSWIN INTERCHANGABLE CORES (C6, CL6, CT6, CTP, C7, CL7, CT7)
SMALL FORMAT INTERCHANGEABLE CORES SFIC (M08). SCHLAGE LFIC (M69)

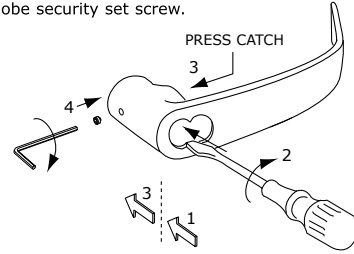
12A Removing IC Core

1. Insert control key and turn counter-clockwise until stop is reached.
2. With key in this position - pull out core.
3. Remove key.



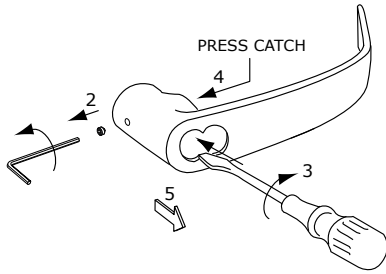
12C Installing IC Core Lever

1. Assemble lever onto sleeve.
2. Use a flat blade screwdriver to rotate cam within lever sleeve 45° clockwise to align wide slot with lever retainer catch. (See cam orientation page 3 step 6)
3. Push lever until catch engages. Check engagement.
4. Secure with 6 lobe security set screw.



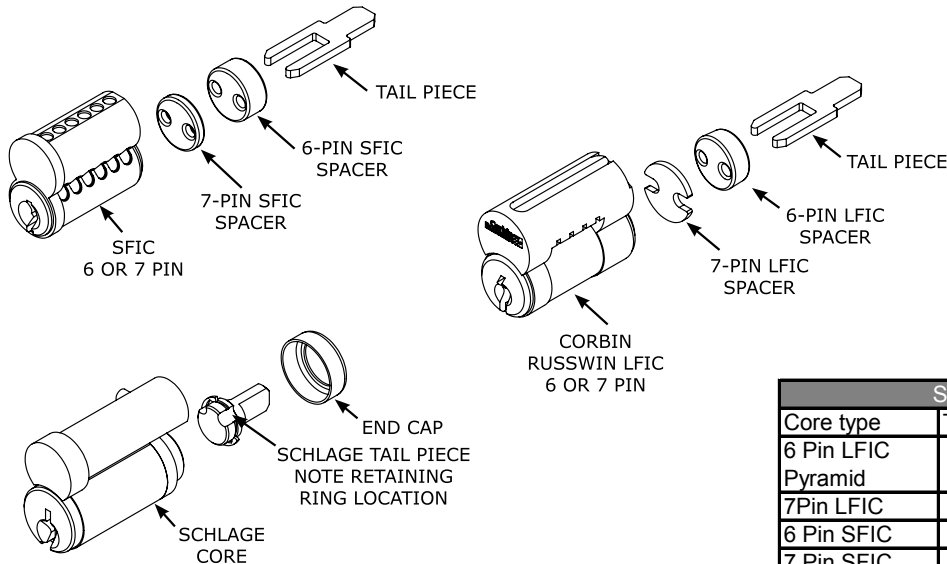
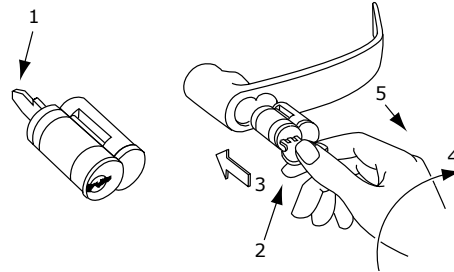
12B Removing IC Core Lever

1. Remove cylinder (as above).
2. Remove 6 lobe security set screw.
3. Use a flat blade screwdriver to rotate cam within lever sleeve 45° clockwise to align lever catch slot with lever catch button. (See cam orientation page 3 step 6)
4. Depress catch and remove lever.



12D Inserting IC Core

1. Insert 6 or 7 pin tail piece - with appropriate spacer disk - into the two holes on the back of the cylinder core (see spacer type below)
2. Insert control key and turn counter clockwise.
3. Slide core into lever.
4. Rotate control key clockwise to lock in lever.
5. Remove control key. Hold cylinder with finger and remove key.



Spacer Type		
Core type	Thickness	Color/Material
6 Pin LFIC Pyramid	0.197	Blue/Delrin
7Pin LFIC	0.055	Steel-Zinc plate
6 Pin SFIC	0.234	Black/Delrin
7 Pin SFIC	0.093	Black/Delrin



Copyright © 2012 Corbin Russwin, Inc., an ASSA ABLOY Group company. All rights reserved. Reproduction in whole or in part without the express written permission of Corbin Russwin, Inc. is prohibited.

(6)

ASSA ABLOY, the global leader in door opening solutions

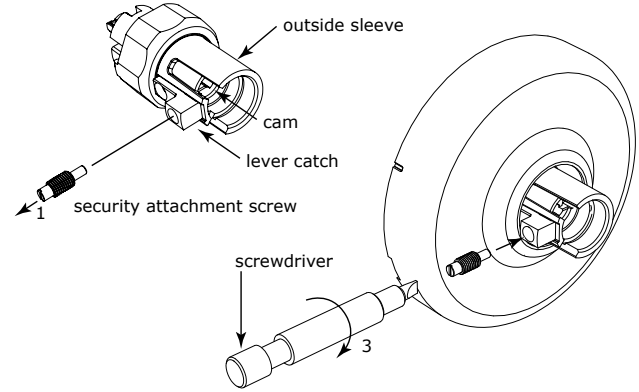
13 INSTALLATION : CL3100 LEVER LOCK WITH HIGH SECURITY LEVER (M111)

13A Lock Body Assembly

1. Prep door and install lock bearing and latch according to door and frame preps that appear on page 2 step 1.
2. Complete assembly of lock with Security Lever Attachment according to the following steps.

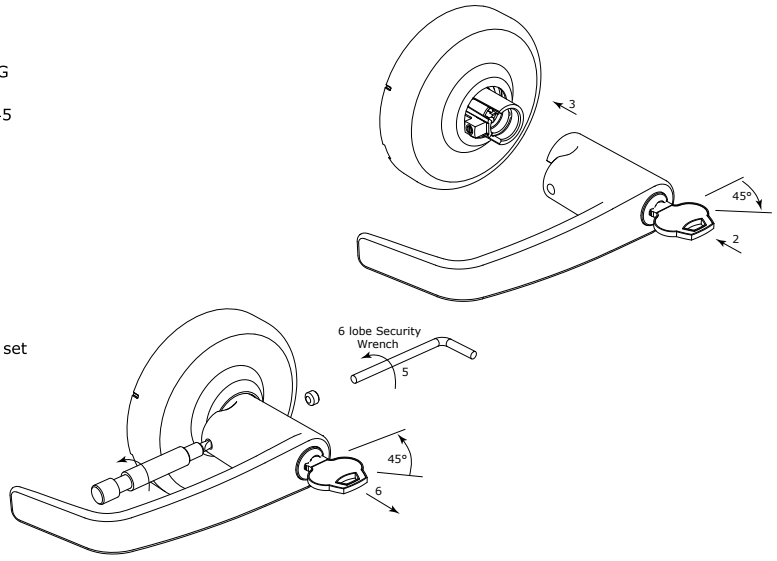
13B Security Attachment Screw

1. Using screwdriver provided, unscrew the Security Attachment Screw from lever catch on the outside sleeve. **IMPORTANT - Keep screw for reinstallation.**
2. Install outside and inside sleeves and roses according to sleeve installation instruction on page 3 step 5.
3. **PLEASE NOTE - THE CAM IN THE OUTSIDE SLEEVE MUST BE ROTATED SO THE LARGE SLOT IS HORIZONTAL. THIS ALLOWS THE SECURITY SCREW TO THREAD INTO THE CAM - SEE CAM ORIENTATION PAGE 3 STEP 6.** Insert the Security Attachment Screw into lever catch assembly and tighten until screw head is within approximately 1/8" of lever catch. **DO NOT OVERTIGHTEN.**



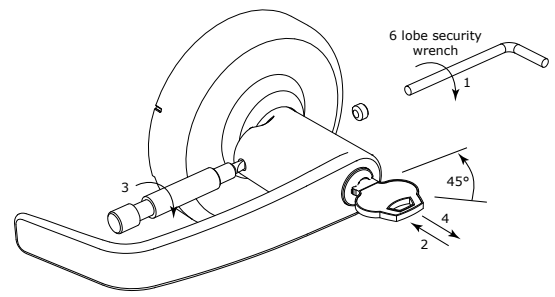
13C Lever Installation

1. **IMPORTANT:** Before installing levers read "SPECIFIC INSTRUCTIONS PER FUNCTION - BEFORE INSTALLING LEVER" on page 3.
2. Place cylinder in outside lever. Insert key and rotate 45 degrees clockwise.
3. With key rotated, push lever onto sleeve until hole on inside of lever is over Security Attachment Screw. If screw interferes with assembly, check that screw is fully threaded into lever catch.
4. Using screwdriver provided, rotate Security Attachment Screw counter-clockwise until flush with surface of lever.
5. Secure lever with 6 lobe security set screw.
6. Rotate key to horizontal and remove.
7. Assemble inside lever and secure with 6 lobe security set screw.



13D Cylinder Removal

1. Remove security screw on outside of lever with 6 lobe wrench.
2. Insert key and rotate key 45° clockwise; keep key in this position.
3. Using screwdriver, tighten the security attachment screw clockwise until it clears the lever.
4. Remove lever and remove key.
5. Remove cylinder from lever and install new cylinder.
6. Reinstall lever following step 3 above.

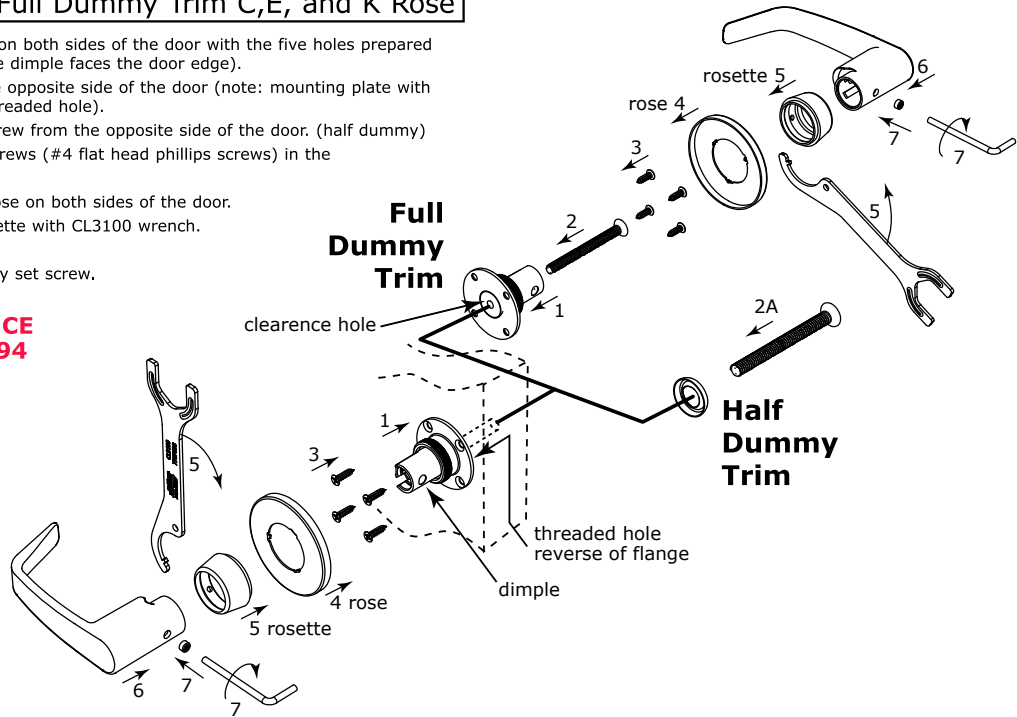


14 Dummy Trim Installation

CL3150/70 Half/Full Dummy Trim C,E, and K Rose

1. Align mounting plate on both sides of the door with the five holes prepared in the door. (note: the dimple faces the door edge).
2. Install screw from the opposite side of the door (note: mounting plate with clearance hole and threaded hole).
- 2A. Install washer and screw from the opposite side of the door. (half dummy)
3. Install four surface screws (#4 flat head phillips screws) in the mounting plate.
4. Align and place the rose on both sides of the door.
5. Place and tighten rosette with CL3100 wrench.
6. install lever.
7. Tighten 6 lobe security set screw.

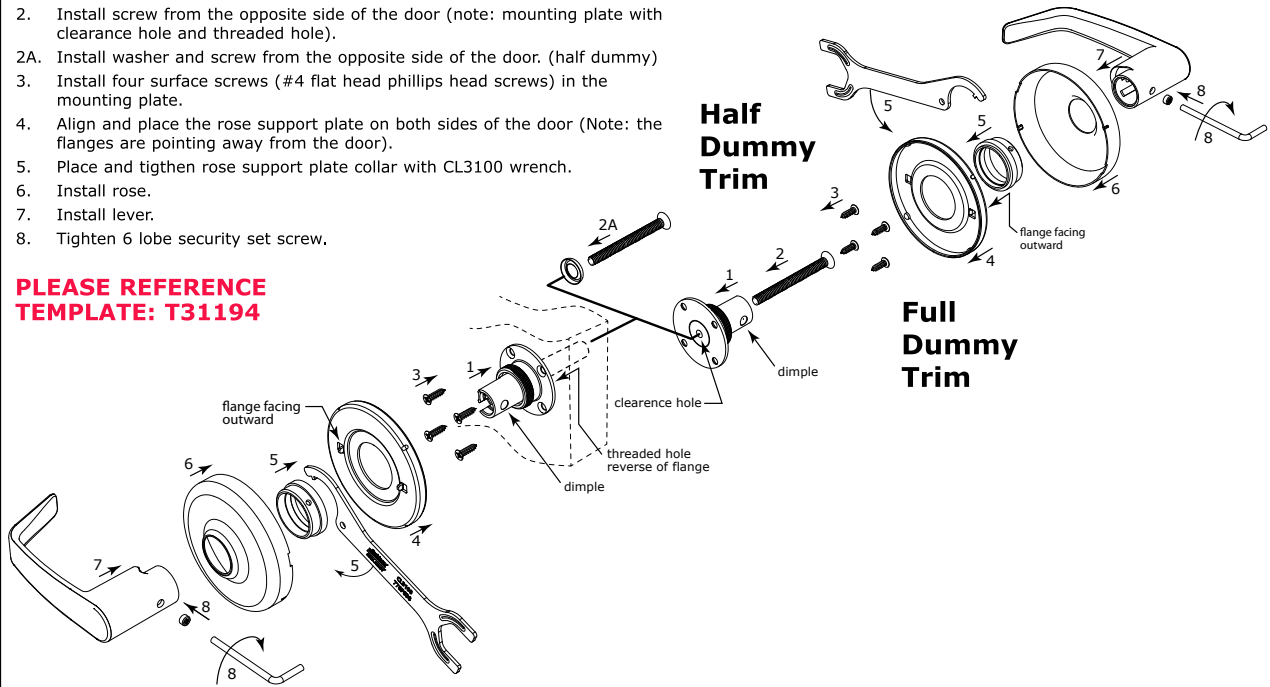
**PLEASE REFERENCE
TEMPLATE: T31194**



CL3350/70 Half/Full Dummy Trim D Rose

1. Align mounting plate on both sides of the door with the five holes prepared in the door. (note: the dimple faces the door edge).
2. Install screw from the opposite side of the door (note: mounting plate with clearance hole and threaded hole).
- 2A. Install washer and screw from the opposite side of the door. (half dummy)
3. Install four surface screws (#4 flat head phillips head screws) in the mounting plate.
4. Align and place the rose support plate on both sides of the door (Note: the flanges are pointing away from the door).
5. Place and tighten rose support plate collar with CL3100 wrench.
6. Install rose.
7. Install lever.
8. Tighten 6 lobe security set screw.

**PLEASE REFERENCE
TEMPLATE: T31194**



Copyright © 2012 Corbin Russwin, Inc., an ASSA ABLOY Group company. All rights reserved. Reproduction in whole or in part without the express written permission of Corbin Russwin, Inc. is prohibited.

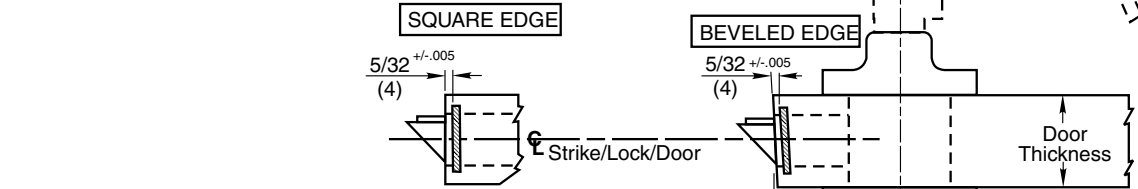
(8)

ASSA ABLOY, the global leader in door opening solutions

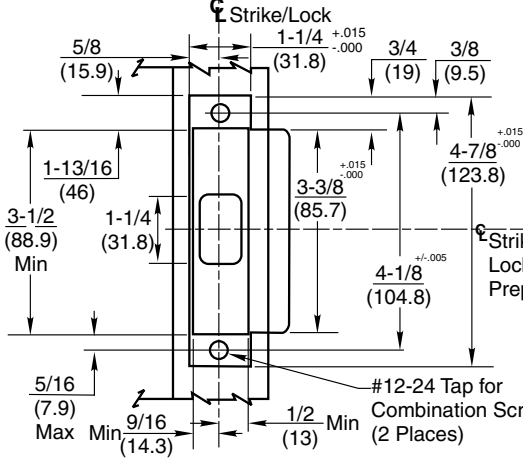
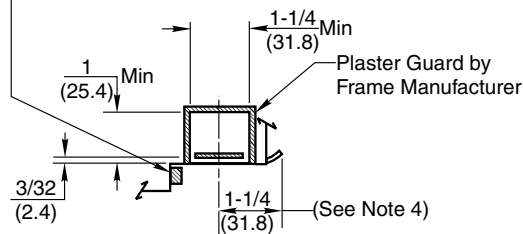
Notes:

1. Backset is measured from centerline of bevel which is centerpoint of door thickness.
2. Door prep with 2-3/4" (69.9) backset meets ANSI standards A115.2 for steel doors and A115.W2 for wood doors plus through bolt holes shown.
3. Dimensions given in inches and (mm).
4. 1-1/4" strike lip suits frame for 1-3/4" thick door. Lip will vary for other door thicknesses.
5. Door prep will vary for 3/4" (19) latch assembly. Refer to template T30528 for details.

TEMPLATE CROSS REFERENCE	
DESCRIPTION	TEMPLATE
CL3150 & CL3170 Dummy Trim	T31194
586L19 Optional Strike	T30476
M16 3/4" Latch	T30528



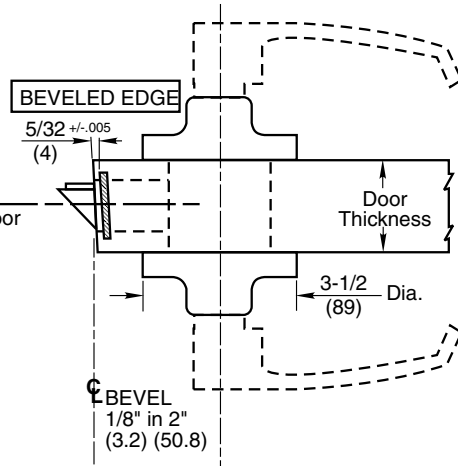
CAUTION: DOOR AND FRAME MANUFACTURERS
 When door gasketing or silencers are used, proper allowances must be made for strike location to maintain a common centerline with lock and door as shown so that bolt will freely enter strike.



FRAME DETAIL
 ANSI Strike 217L13 and Box 120F76 (Regularly Furnished)

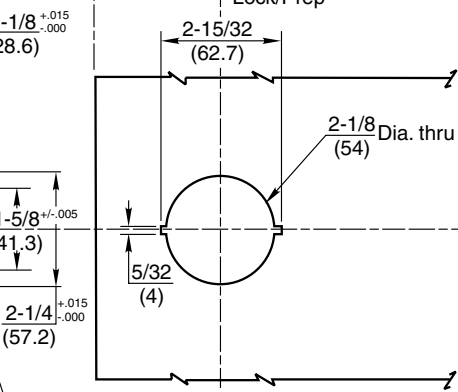
#12-24 Tap for Combination Screw (2 Places)
 #8-32 Tap for Combination Screw (2 Places)

DOOR DETAIL



A
 Backset (See Note 1)

BACKSET "A"	
2-3/4 (69.9)	Regular
3-3/4 (95.3)	Optional
5 (127)	



Tolerance Conversion	
Inches	(mm)
.005	(.127)
.015	(.381)

RESPONSIBILITY
 DOOR AND FRAME MANUFACTURERS ARE RESPONSIBLE FOR PROVIDING ADEQUATE CONSTRUCTION OR REINFORCEMENTS FOR PROPER INSTALLATION OF HARDWARE SHOWN. ALL ARCHITECTURAL BUILDERS HARDWARE MUST BE INSTALLED ON PROPERLY REINFORCED DOORS AND FRAMES, REGARDLESS OF TYPE, MATERIAL, OR METHOD OF CONSTRUCTION.

**CL3100 Series
 Vandal Resistant Lever Lockset**

All Functions And Trims
 Except Dummy Trim,
 and M16 latch (3/4")



SUPERSEDES	DO NOT SCALE DRAWING	
TEMPLATE NUMBER	T31193	DATE 03-12



ASSA ABLOY

In U.S.

Corbin Russwin
Architectural Hardware
225 Episcopal Road
Berlin, CT 06037
Phone: 800-543-3658
Fax: 800-447-6714
corbinrusswin.com

In Canada

ASSA ABLOY Door
Security Solutions Canada
160 Four Valley Drive
Vaughan, Ontario
Canada L4K 4T9
Phone: 800-461-3007
Fax: 905-738-2478
www.assaabloy.ca

For more information regarding Corbin Russwin Locksets, Exit Devices, Door Controls and Key Systems, contact your authorized Corbin Russwin Distributor or Sales Representative.

Corbin Russwin and Design® is a registered trademark of Corbin Russwin, Inc, an ASSA ABLOY Group company. Other products' brand names may be trademarks or registered trademarks of their respective owners and are mentioned for reference purposes only. These materials are protected under US copyright laws. All contents current at time of publication. Corbin Russwin, Inc., an ASSA ABLOY Group company reserves the right to change availability of any item in this catalog, its design, construction, and/or its materials. Copyright © 2012, 2013 Corbin Russwin, Inc., an ASSA ABLOY Group company. All rights reserved. Reproduction in whole or in part without the express written permission of Corbin Russwin, Inc. is prohibited.

ASSA ABLOY is the global leader in door opening solutions, dedicated to satisfying end-user needs for security, safety and convenience.

45245-11/13