



The Access 3 Advantage .....	3
AP Key Cuts.....	4
AS & AHS Key Cuts.....	5
Pinning Formula.....	6
Construction Master Keying.....	7
Visual and Concealed Key Control .....	8
Access 3 Pin Kits .....	9
Cylinder Parts: AP - 1500 Series Mortise.....	10
Cylinder Parts: AP - 3500 Series Rim.....	11
Cylinder Parts: AS - 1600 Series Mortise.....	12
Cylinder Parts: AS - 3600 Series Rim.....	13
Cylinder Parts: AHS - 1700 Series Mortise .....	14
Cylinder Parts: AHS - 3700 Series Rim .....	15
Cylinder Parts: AP - 8500 Series LFIC Cores .....	16
Cylinder Parts: AS - 8600 Series LFIC Cores .....	17
Cylinder Parts: AHS - 8700 Series LFIC Cores.....	18
Cylinder Parts: AP - 2500 Series Component (Key-in-Knob/Lever).....	19
Cylinder Parts: AS - 2600 Series Component (Key-in-Knob/Lever).....	20
Cylinder Parts: AHS - 2700 Series Component (Key-in-Knob/Lever).....	21

**The Access 3 Key System**

The patented Access 3 system from Corbin Russwin provides the right level of security for each opening in your facility. Three levels of ANSI/BHMA Grade 1 protection, from patented keyway to UL437 certified, secures every opening. A common key for all three levels of security enhances key control and simplifies administrative procedures. Key blanks are controlled through authorized distribution and geographical protection is available. Available for mortise, rim, component and Large Format Interchangeable Core (LFIC) cylinders, Corbin Russwin offers the right Access 3 level of protection for every door in your facility.

**Benefits**

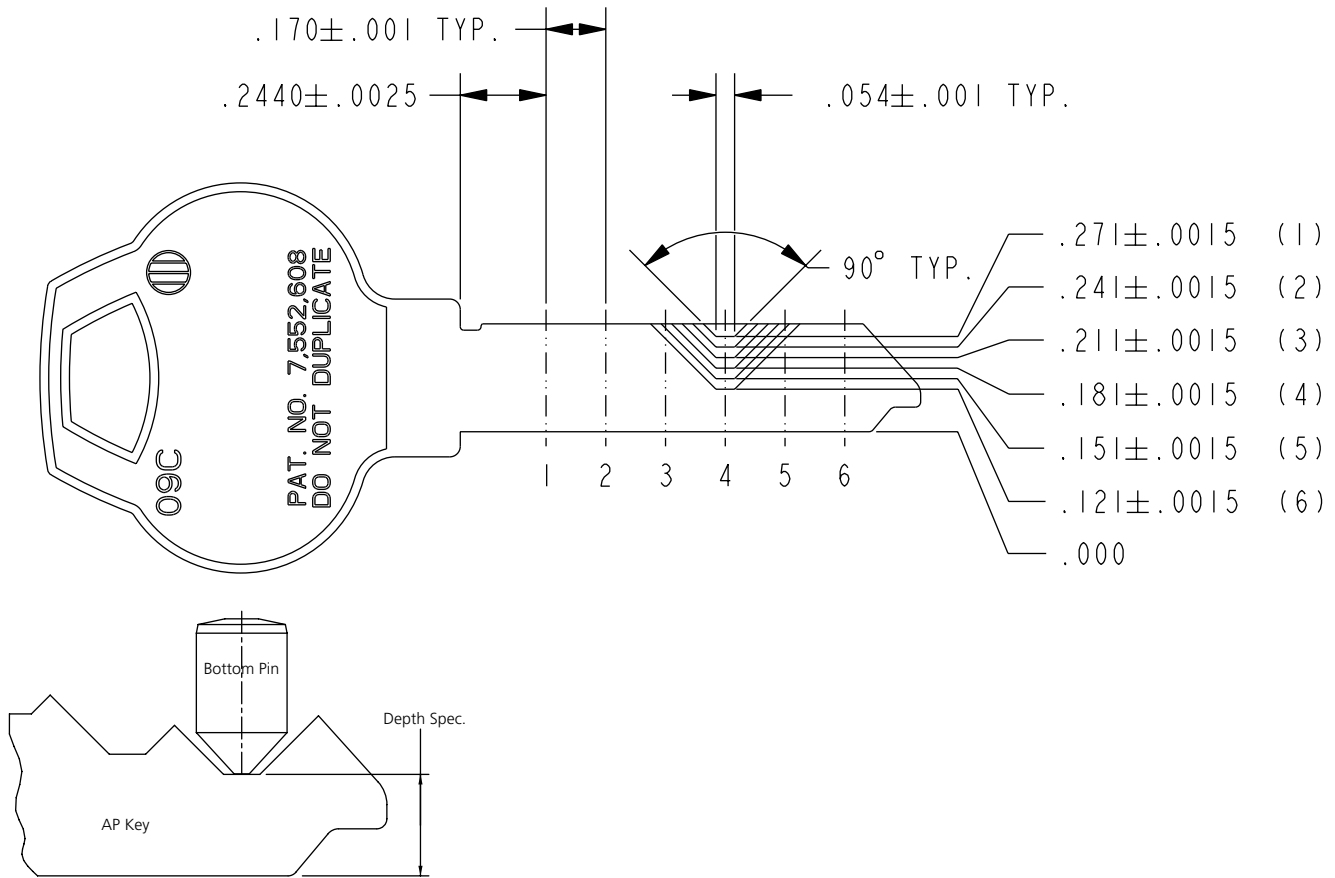
- Patent protection from unauthorized key duplication through 2027
- New keyway family protects system integrity from legacy systems
- Keys are significantly stronger than competitive systems
- User-friendly design with minimal components provides easy field service – except key cutting – AS, AHS
- Availability in all existing Corbin Russwin cylinder types provides cost-effective upgrade for Corbin Russwin facilities
- Bump resistance standard for all AP, AS and AHS cylinders.

**Access 3 (AP)** features a utility patented keyway. These cylinders easily retrofit into existing hardware and are appropriate for most applications. The keys for AP can only open AP cylinders. AP cylinders are protected against bumping.

**Access 3 (AS)** builds on the utility patented keyway of AP and adds patented side bar locking with unique angled bottom pins that provide end users with geographical exclusivity. Cylinders provide protection against bumping and picking. Because of its superior key control and patent protection until 2027, AS products are recommended for use in conjunction with AHS for new installations or when retrofitting systems, including large format interchangeable core systems.

**Access 3 (AHS)** combines the utility patented keyway and side bar locking with unique angled bottom pins that provide end users with geographical exclusivity, and adds certification to UL437. They are classified as high security because of their superior resistance to physical attack and protection against unauthorized key duplication. Because of its superior key control, patent protection until 2027, and physical strength, we recommend AHS products for new high-security installations or when retrofitting systems, including large format interchangeable core systems. Corbin Russwin also offers anti-vandal and high security locksets that complement AHS cylinders for those openings most vulnerable to attack.

**AP cuts from Bow to Tip  
MACS-4**



**Bottom Pins (BP)**

Size #	Length	Part No.
1	.231	763F002243
2	.261	763F002273
3	.291	763F002303
4	.321	763F002333
5	.351	763F002363
6	.381	763F002393

**Master Pins (MP)**

Size #	Length	Part No.
1	.030	763F012030
2	.060	763F012060
3	.090	763F012090
4	.120	763F012120
5	.150	763F012150

**Build Up Pins (BU)**

Size #	Length	Part No.
BU #1	0.030	763F012030
BU #2	0.060	763F012060
BU #3	0.090	763F012090
BU #4	0.120	763F012120
BU #5	0.150	763F012150
BU #6	N/A	N/A
BU #7	0.210	763F012210
BU #8	0.240	763F012240
BU #9	0.270	763F012270
BU #10	0.300	763F012300
BU #11	0.330	763F012330

**Top Pin (TP)**

Size #	Length	Part No.
Top #1	0.030	763F012030
Top #2	0.060	763F012060
Top #3	0.090	763F012090
Top #4	0.120	763F012120
Top #5	0.150	763F012150
Top #6	0.180	763F012180
Top #7	0.210	763F012210
Top #8	0.240	763F012240
Top #9	0.270	763F012270

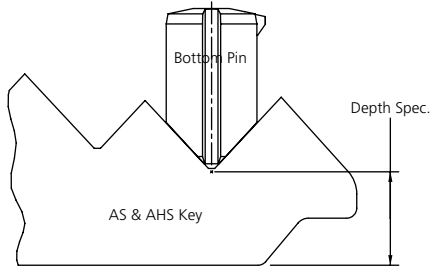
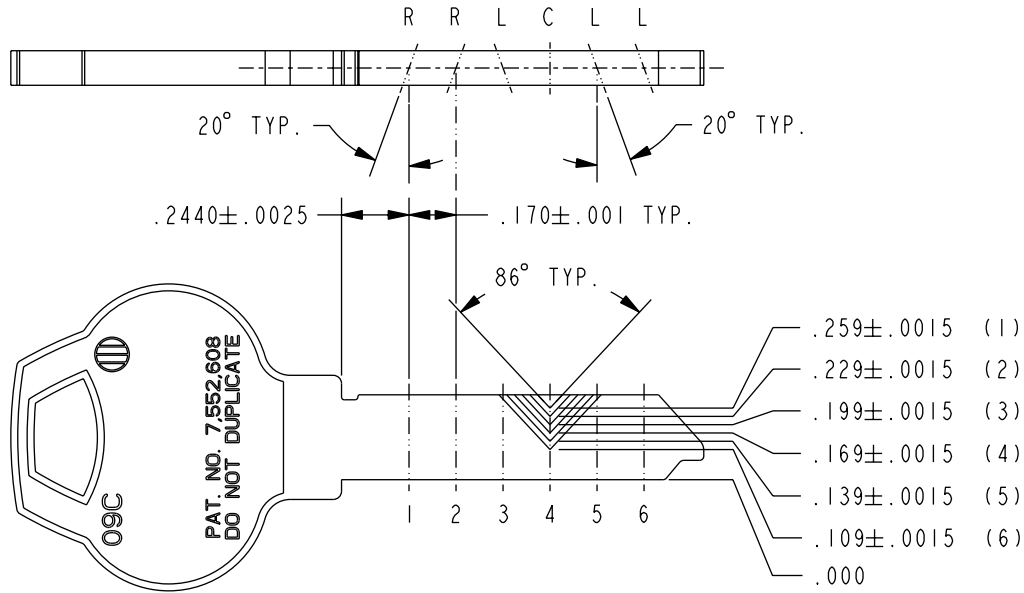
**Top Pin - Bump Resistant**

Size #	Length	Part No.
BR #4	0.120	763F027120
BR #5	0.150	763F027150
BR#6	0.180	763F027180
BR#7	0.210	763F027210
BR#8	0.240	763F027240
BR#9	0.270	763F027270

**CMK Wafer**

Description	Part No.
CMK	763F072

**AS & AHS cuts from Bow to Tip**  
**MACS - 4**



Dimensions shown are to theoretical intersection

**Bottom Pin (BP)**

Size #	Length	Part No.
BP #1-C	0.231	763F052243
BP #1-L	0.231	763F042243
BP #1-R	0.231	763F062243
BP #2-C	0.261	763F052273
BP #2-L	0.261	763F042273
BP #2-R	0.261	763F062273
BP #3-C	0.291	763F052303
BP #3-L	0.291	763F042303
BP #3-R	0.291	763F062303
BP #4-C	0.321	763F052333
BP #4-L	0.321	763F042333
BP #4-R	0.321	763F062333
BP #5-C	0.351	763F052363
BP #5-L	0.351	763F042363
BP #5-R	0.351	763F062363
BP #6-C	0.381	763F052393
BP #6-L	0.381	763F042393
BP #6-R	0.381	763F062393

**Master Pins (MP)**

Size #	Length	Part No.
1	.030	763F012030
2	.060	763F012060
3	.090	763F012090
4	.120	763F012120
5	.150	763F012150

**CMK Wafer**

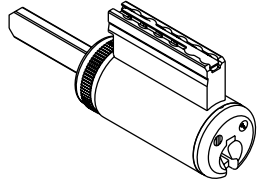
Description	Part No.
CMK	763F072

**Build Up Pins (BU)**

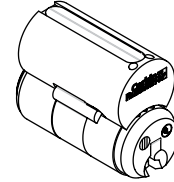
Size #	Length	Part No.
BU #1	0.030	763F012030
BU #2	0.060	763F012060
BU #3	0.090	763F012090
BU #4	0.120	763F012120
BU #5	0.150	763F012150
BU #6	N/A	N/A
BU #7	0.210	763F012210
BU #8	0.240	763F012240
BU #9	0.270	763F012270
BU #10	0.300	763F012300
BU #11	0.330	763F012330

**Top Pin (TP)**

Size #	Length	Part No.
Top #1	0.030	763F012030
Top #2	0.060	763F012060
Top #3	0.090	763F012090
Top #4	0.120	763F032120
Top #5	0.150	763F037150
Top #6	0.180	763F037180
Top #7	0.210	763F032210
Top #8	0.240	763F032240
Top #9	0.270	763F032270



Fixed Core Component Cylinders



Large Format Interchangeable Core Cylinders

**Fixed Core and LFIC Chambers 1, 2, 5 & 6**

**Top Pin (TP)**  
10 MINUS  
Plug Total

**Master Pin (MP) =**  
Deepest Minus  
Shallowest  
Operating Cut

**Bottom Pin (BP) =**  
Shallowest  
Operating Cut

**Example**

Master Key	1	2	3	4	6	4
Change Key	3	4	5	2	2	2

Top Pin (TP)	7	6	5	6	4	6
Master Pin (MP)	2	2	2	2	4	2
Bottom Pin (BP)	1	2	3	2	2	2

**Plug Total (MP + BP)**

**LFIC Control Chambers 3 & 4**

**Top Pin (TP)**  
13 MINUS Plug  
Total and  
Build Up Pin

**Build Up Pin (BU) =**  
Control Cut PLUS 6  
MINUS Plug Total

**Master Pin (MP) =**  
Deepest MINUS  
Shallowest  
Operating Cut

**Bottom Pin (BP) =**  
Shallowest  
Operating Cut

**Example**

Control Key	1	5	5	4	3	2
Master Key	1	5	2	6	3	2
Change Key	3	1	4	3	1	5

Top Pin (TP)	7	5	2	3	7	5
Build Up Pin (BU)	x	x	7	4	x	x
Master Pin (MP)	2	4	2	3	2	3
Bottom Pin (BP)	1	1	2	3	1	2

**Plug Total (MP + BP)**

**Instructions (Fixed Core and LFIC Chambers 1, 2, 5 & 6)**

Bottom Pin = shallowest operating cut

Master Pin (if required) = Deepest minus shallowest operating cut

(Plug Total = Bottom Pin + Master Pin)

Top Pin = 10 MINUS Plug Total

**Instructions (LFIC Control Chambers 3 & 4)**

Bottom Pin = shallowest operating cut

Master Pin (if required) = Deepest minus shallowest operating cut

(Plug Total = Bottom Pin + Master Pin)

Build Up Pin = Control Cut plus 6 minus Plug Total

Top Pin = 13 MINUS (PLUG TOTAL + BUILD UP PIN)

**Lost Ball/Wafer Construction Cylinder**

1. In the construction lost wafer chamber use #5 cut for TMK and #6 cut for CMK
2. CMK cuts for the rest of the chambers are same as TMK cuts
3. "Donut" wafer is added in construction lost wafer chamber above bottom pin

## Construction Master Keying (Lost/Wafer Design) for AP, AS & AHS

Access 3 cylinders when master keyed are offered with the convenience of construction keying when specified. This is not recommended with AHS key systems or any system where strict key control and management is enforced.

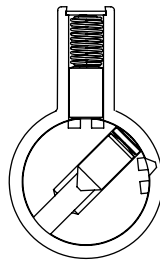
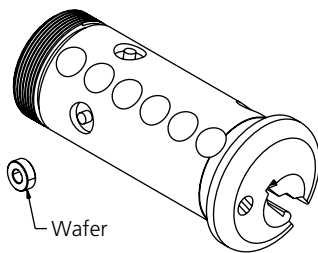
Construction keying simplifies the process when the building gets turned over. With this feature, the construction master keyed cylinder is master keyed with a special construction feature in one of the chambers. The plug is prepped in two places along both sides of the same chamber containing the construction feature. This allows the construction master key to be used during the construction phases.

It is highly recommended that all construction keys are collected and accounted for once the project is complete to protect the integrity of the key system.

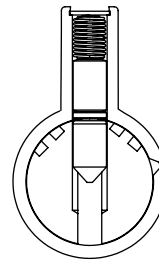
Construction master keys are to be specified and ordered separately.

Construction master keyed orders will have all change keys shipped separately from hardware.

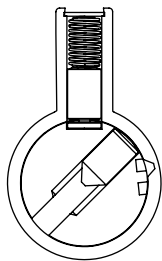
Construction master keying is not available with hotel function cylinders or large format interchangeable cores. If construction keying is required for LFIC, specify temporary construction keyed cores.



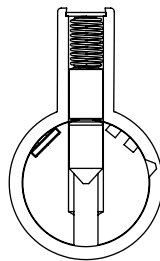
Cutaway cylinder showing construction master key being used, putting the wafer below the shear line while key is turned. Note the two empty "donut" holes on either side of the chamber.



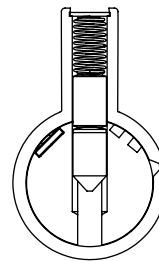
Change key inserted in cylinder putting the wafer above the shear line.



As change key rotates, construction wafer falls into "donut" hole in the side of plug. Only construction wafer will fall due to hole through its center.



Change key rotated to position for extraction.



Construction key inserted after wafer is trapped. Driver now extends into plug chamber. Construction key if used will not rotate.

## For Multiplex Masterkey Systems (CR keyway family shown)

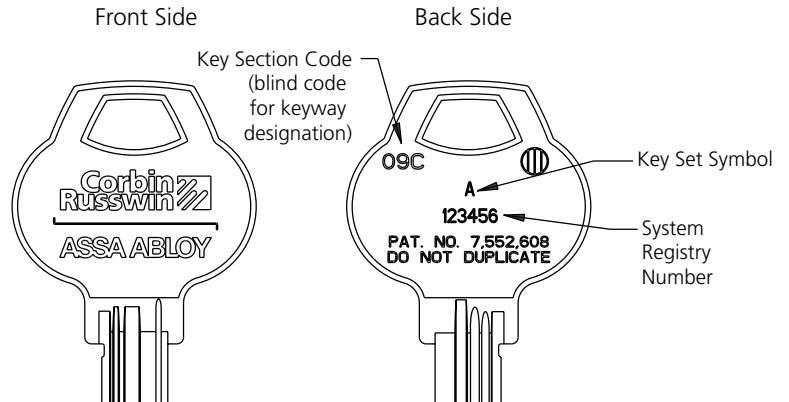
Nickel silver  
Key Bow type 38

- **Ordering example AP Key Blank:**

XXXX-6PIN-38-AP  
└─── Keyway

- **Ordering example AS/AHS Key Blank:**

XXXX-6PIN-38-AS60  
└─── Keyway



- **Ordering example Hotel Emergency key (Mortise Cylinders)**

example: Keyway-6Pin-38-E2-AP

- **Ordering example Hotel Emergency key (Key-in-lever cylinders)**

example: Keyway-6Pin-38-E6-AS60

### Back Side Stamping & Options

- Key set (VKC1), standard – unless otherwise indicated
- System registry number will be stamped on master keys unless otherwise indicated
- Concealed key control (CKC2) available on cylinders
- Visual Key Control VKC2 is available for level 1 (AP) only.
- Visual Key Control VKC3 and Concealed Key Control CKC3 not available



**PK-30-AP Pinning Kit**

The PK-30-AP Kit is used to pin AP fixed and LFIC cylinders. The heavy duty steel kit prevents pins from mixing.

The kit includes:

- 100 each of bottom pins sizes 1-6
- 100 each of build up pins 1-11
- 100 each of master pins sizes 1-5
- 100 each of top pins sizes 1-9
- 100 each of bump resistant pins sizes 4-9
- 100 tumbler springs – part number 763F617
- 100 sidebar spring – part number 756F817
- 50 #2-56 screw - part number 756F847
- 25 KIK/KIL spring cover – part number 756F858
- 25 each mortise/rim, LFIC spring cover – part number 756F722
- 10 Sidebar (8500 CYL.) – part number 763F565
- Tweezer – part number 239F368
- Access 3 Key decoder – part number 756F937

**PK-30-MASTER Master Pinning Kit**

The PK-30-MASTER “Master Kit” includes all pins needed to re-pin AP, AS and AHS cylinders.

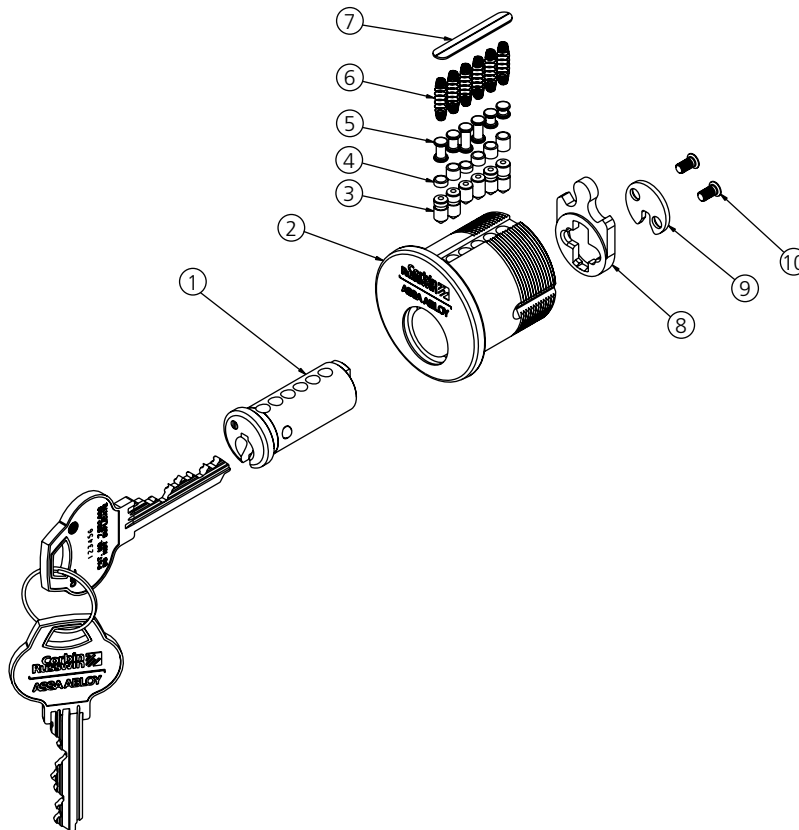
The kit includes:

- 100 each of AP bottom pins sizes 1-6
- 100 each of angled bottom pins sizes 1-6 (L-C-R)
- 100 each of build up pins sizes 1-11
- 100 each of master pins sizes 1-5
- 100 each of top pins sizes 1-9
- 100 each of bump resistant pins sizes 4-9
- 100 tumbler springs – part number 763F617
- 50 #2-56 screw - part number 756F847
- 25 KIK/KIL spring cover – part number 756F858
- 25 mortise/rim, lfic spring cover – part number 756F722
- 10 sidebar – part number 756F807
- 10 sidebar (8500 CYL.) – part number 763F565
- 100 sidebar spring – part number 756F817
- 50 slider spring – part number 756F797
- Tweezer – part number 239F368
- Access 3 Key decoder – part number 756F937

Note: CT-4 follower (size .509) may be ordered separately.

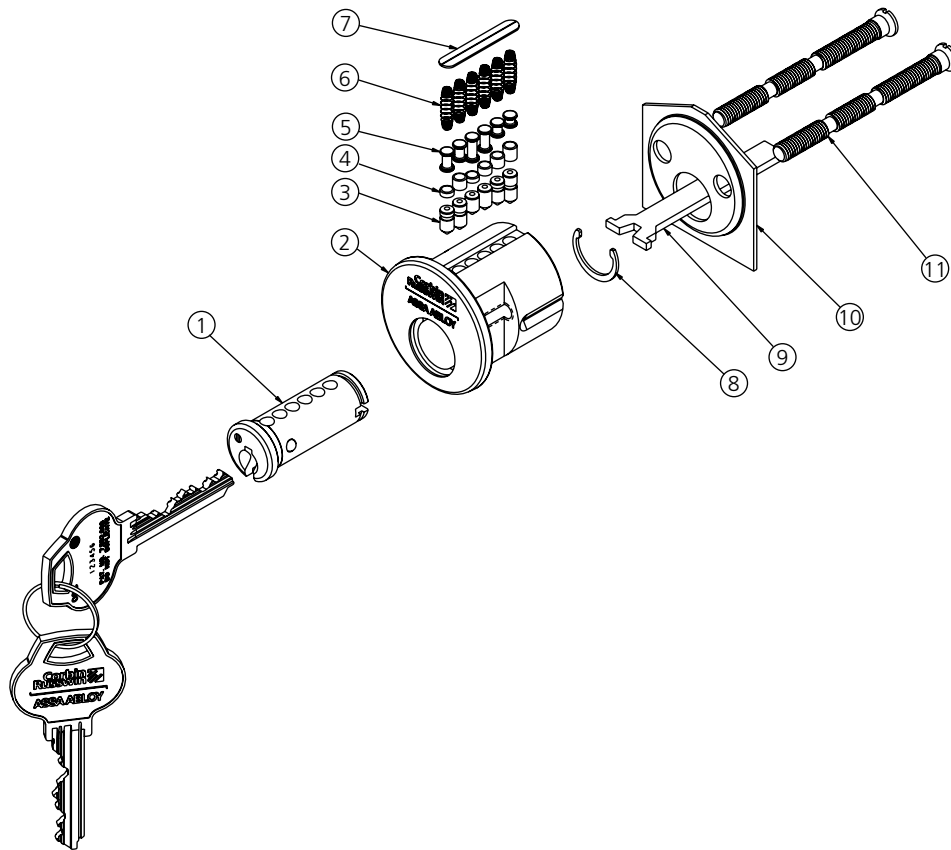
Item	Description	Part Number	Cylinder Length	Comments
1	Plug SA	757K64MSECFIN	1-1/4"	Plug finishes: 606, 619
		757K74MSECFIN	1-3/8"	
		757K84MSECFIN	1-1/2"	
		757K94MSECFIN	1-3/4"	
2	Shell SA	757F68MFIN	1-1/4"	Shell finishes: 605, 606, 611, 612, 613, 618, 619, 622, 625, 626, 629, 630, 722
		757F78MFIN	1-3/8"	
		757F88MFIN	1-1/2"	
		757F98MFIN	1-3/4"	
3	Bottom Pins	763F002		
4	Master & Build Up Pins	763F012		
5	Top Pins	763F027		
6	Tumbler Springs	763F617		
7	Spring Cover	756F722		
8	Cam	See Access 3 Catalog		
9	Cam Retainer	756F838		
10	Screws	756F847		

Note: Items 3, 4 & 5 are in vial of 100 pins



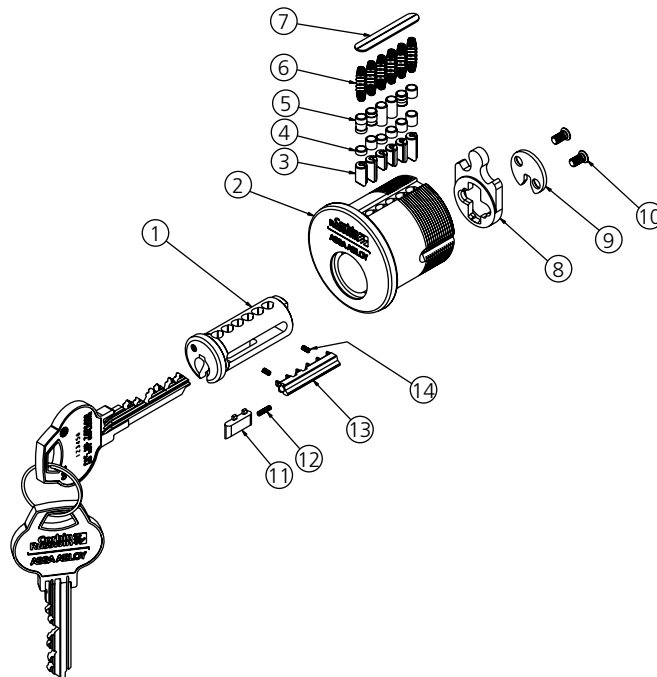
Item	Description	Part Number	Comments
1	Plug SA	758K04MSECFIN	Plug finishes: 606, 619
2	Shell SA (Not Slotted)	758F11MFIN	Shell finishes: 605, 606, 611, 612, 613, 618, 619, 622, 625, 626, 629, 630, 722
	Shell SA (Slotted)	758F14MFIN	
3	Bottom Pins	763F002	
4	Master & Build Up Pins	763F012	
5	Top Pins	763F027	
6	Tumbler Springs	763F617	
7	Spring Cover	756F722	
8	Plug Retainer	333F997	
9	Tailpiece	See Access 3 Catalog	
10	Mounting Plate	253F758	
11	Mounting Screws	See Access 3 Catalog	

Note: Items 3, 4 & 5 are in vial of 100 pins



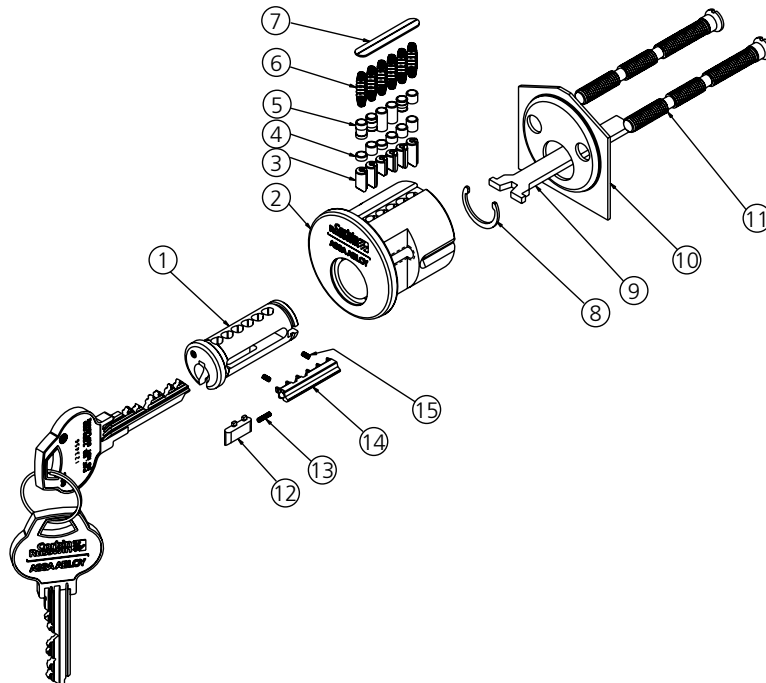
Item	Description	Part Number	Cylinder Length	Comments
1	Plug	757K62MSECFIN	1-1/4"	Plug finishes: 606, 619
		757K72MSECFIN	1-3/8"	
		757K82MSECFIN	1-1/2"	
		757K92MSECFIN	1-3/4"	
2	Shell SA	757F69MFIN	1-1/4"	Shell finishes: 605, 606, 611, 612, 613, 618, 619, 622, 625, 626, 629, 630, 722
		757F79MFIN	1-3/8"	
		757F89MFIN	1-1/2"	
		757F99MFIN	1-3/4"	
3	Bottom Pins (L)	763F042		
	Bottom Pins (C)	763F052		
	Bottom Pins (R)	763F062		
4	Master & Build Up Pins	763F012		
5	Top Pins	763F03M		
6	Tumbler Springs	763F617		
7	Spring Cover	756F722		
8	Cam	See Access 3 Catalog		
9	Cam Retainer	756F838		
10	Screws	756F847		
11	Slider	756F732-756F782		
12	Slider Springs	756F797		
13	Side Bar	756F807		
14	Side Bar Springs	756F817		

Note: Items 3, 4 & 5 are in vial of 100 pins



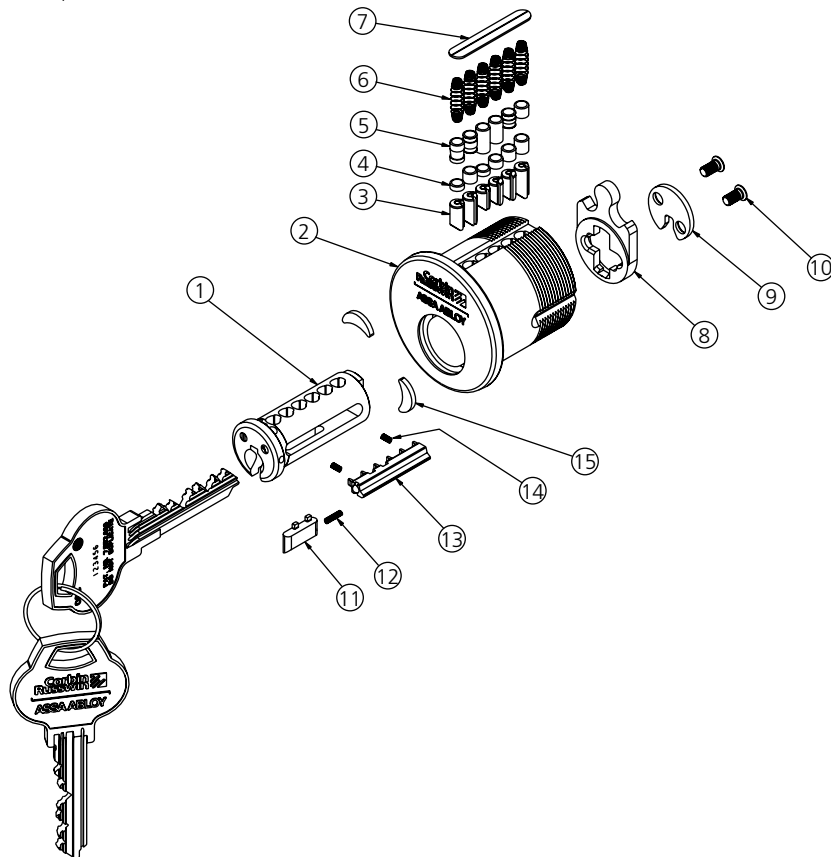
Item	Description	Part Number	Comments
1	Plug	758K02MSECFIN	Plug finishes: 606, 619
2	Shell SA (Not Slotted)	758F12MFIN	Shell finishes: 605, 606, 611, 612, 613, 618, 619, 622, 625, 626, 629, 630, 722
	Shell SA (Slotted)	758F15MFIN	
3	Bottom Pins (L)	763F042	
	Bottom Pins (C)	763F052	
	Bottom Pins (R)	763F062	
4	Master & Build Up Pins	763F012	
5	Top Pins	763F03M	
6	Tumbler Springs	763F617	
7	Spring Cover	756F722	
8	Plug Retainer	333F997	
9	Tailpiece	See Access 3 Catalog	
10	Mounting Plate	253F758	
11	Mounting Screws	See Access 3 Catalog	
12	Slider	756F732-756F782	
13	Slider Springs	756F797	
14	Side Bar	756F807	
15	Side Bar Springs	756F817	

Note: Items 3, 4 & 5 are in vial of 100 pins



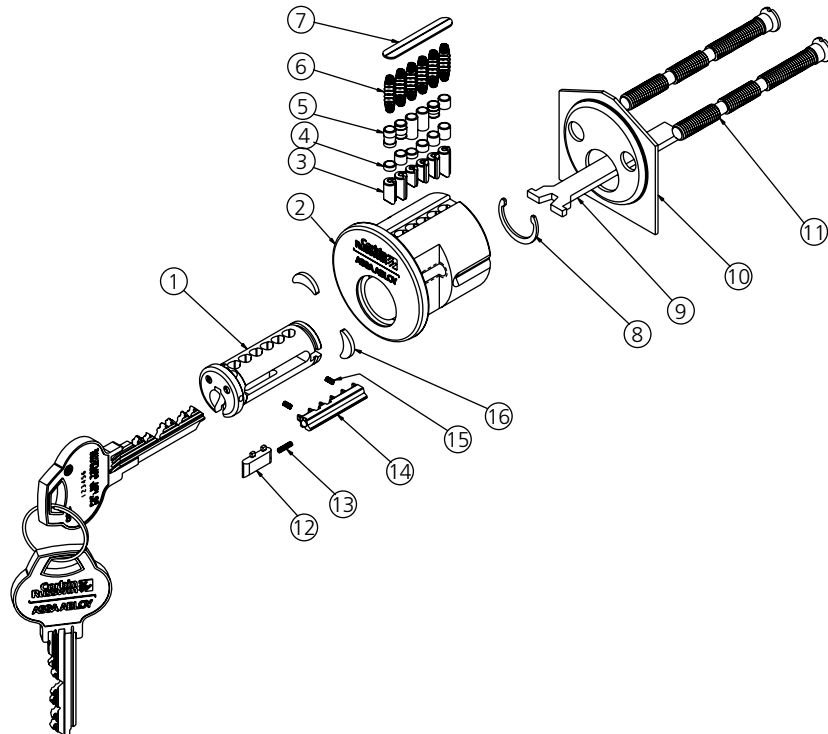
Item	Description	Part Number	Cylinder Length	Comments
1	Plug SA	757K63MSECFIN	1-1/4"	Plug finishes: 606, 619
		757K73MSECFIN	1-3/8"	
		757K83MSECFIN	1-1/2"	
		757K93MSECFIN	1-3/4"	
2	Shell SA	757F70MFIN	1-1/4"	Shell finishes: 605, 606, 611, 612, 613, 618, 619, 622, 625, 626, 629, 630, 722
		757F80MFIN	1-3/8"	
		757F90MFIN	1-1/2"	
		758F00MFIN	1-3/4"	
3	Bottom Pins (L)	763F042		
	Bottom Pins (C)	763F052		
	Bottom Pins (R)	763F062		
4	Master & Build Up Pins	763F012		
5	Top Pins	763F01M		
6	Tumbler Springs	763F617		
7	Spring Cover	756F722		
8	Cam	See Access 3 Catalog		
9	Cam Retainer	756F838		
10	Screws	756F847		
11	Slider	756F732-756F782		
12	Slider Springs	756F797		
13	Side Bar	756F807		
14	Side Bar Springs	756F817		
15	Security Plate	756F828		

Note: Items 3, 4 & 5 are in vial of 100 pins



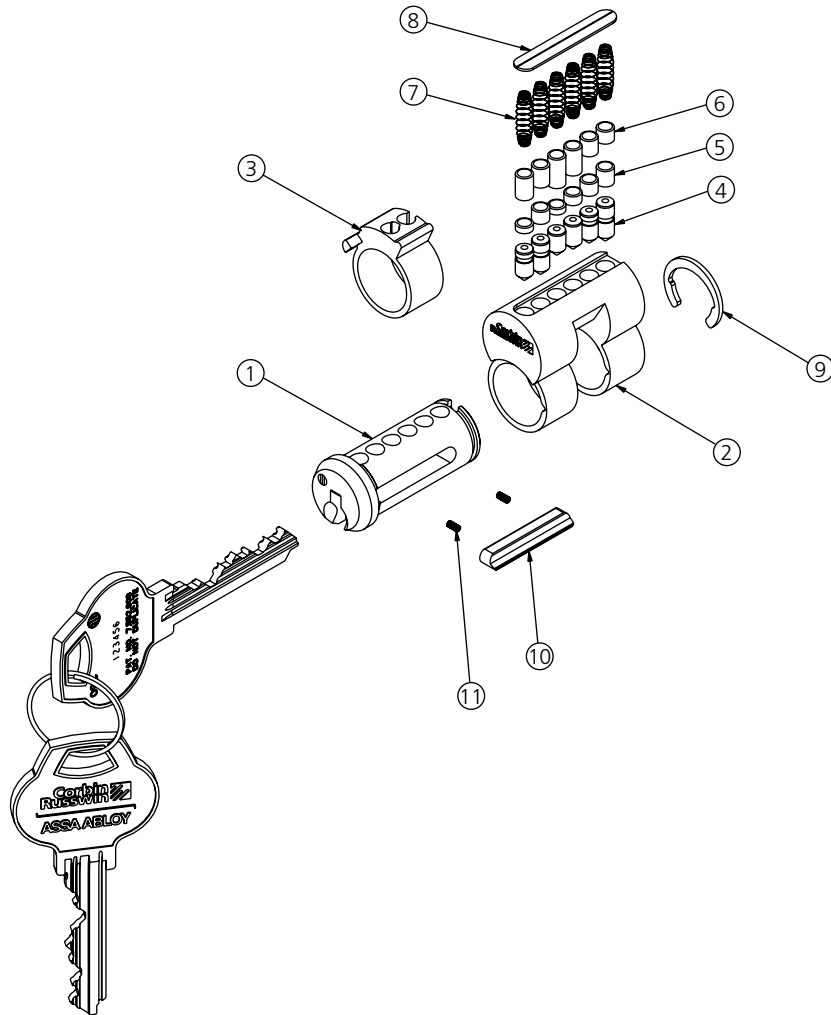
Item	Description	Part Number	Comments
1	Plug SA	758K03MSECFIN	Plug finishes: 606, 619
2	Shell SA (Not Slotted)	758F13MFIN	Shell finishes: 605, 606, 611, 612, 613, 618, 619, 622, 625, 626, 629, 630, 722
	Shell SA (Slotted)	758F16MFIN	
3	Bottom Pins (L)	763F042	
	Bottom Pins (C)	763F052	
	Bottom Pins (R)	763F062	
4	Master & Build Up Pins	757F012	
5	Top Pins	757F03M	
6	Tumbler Springs	763F617	
7	Spring Cover	756F722	
8	Plug Retainer	333F997	
9	Tailpiece	See Access 3 Catalog	
10	Mounting Plate	253F758	
11	Mounting Screws	See Access 3 Catalog	
12	Slider	756F732-756F782	
13	Slider Springs	756F797	
14	Side Bar	756F807	
15	Side Bar Springs	756F817	
16	Security Plate	756F828	

Note: Items 3, 4 & 5 are in vial of 100 pins



Item	Description	Part Number	Comments
1	Plug	757K50MSECFIN	Plug finishes: 606, 619
2	Core	763F58MFIN	
3	Control Sleeve	763F572	
4	Bottom Pins	763F002	
5	Master & Build Up Pins	763F012	
6	Top Pins	763F012	
7	Tumbler Springs	763F617	
8	Spring Cover	756F722	
9	Retainer Ring	333F998	
10	Side Bar (8500)	763F565	
11	Side Bar Springs	756F817	

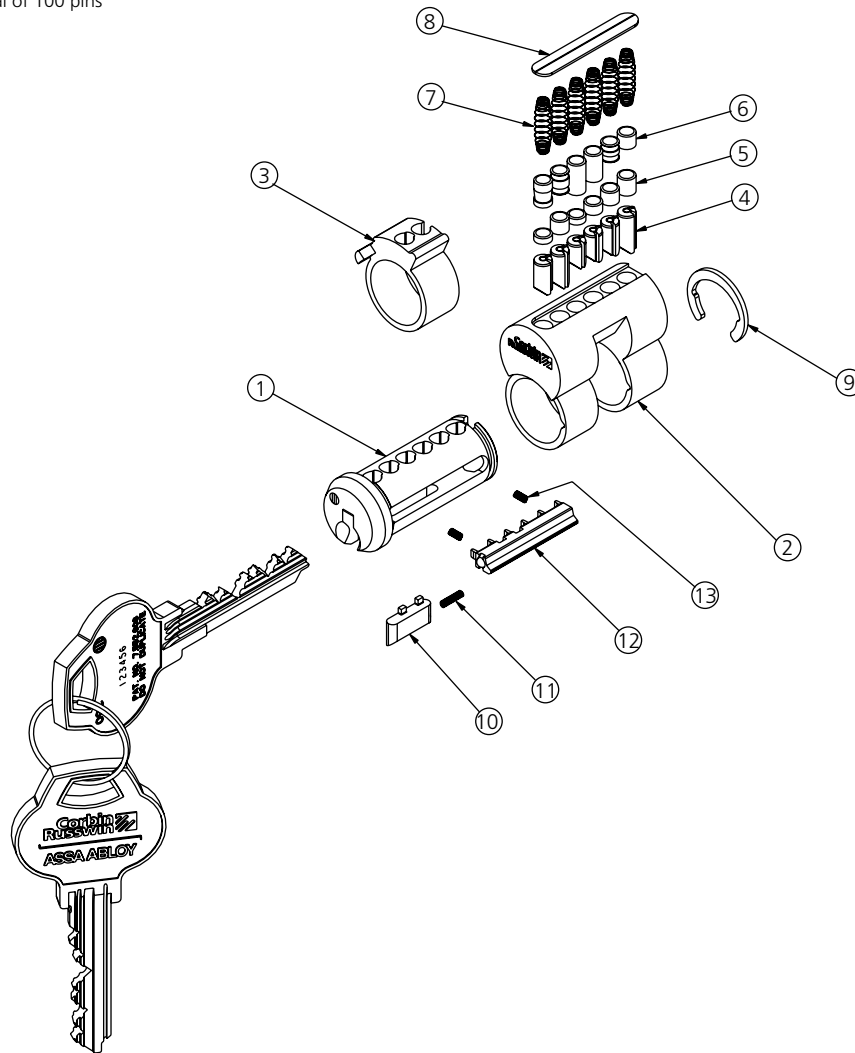
Note: Items 3, 4 & 5 are in vial of 100 pins





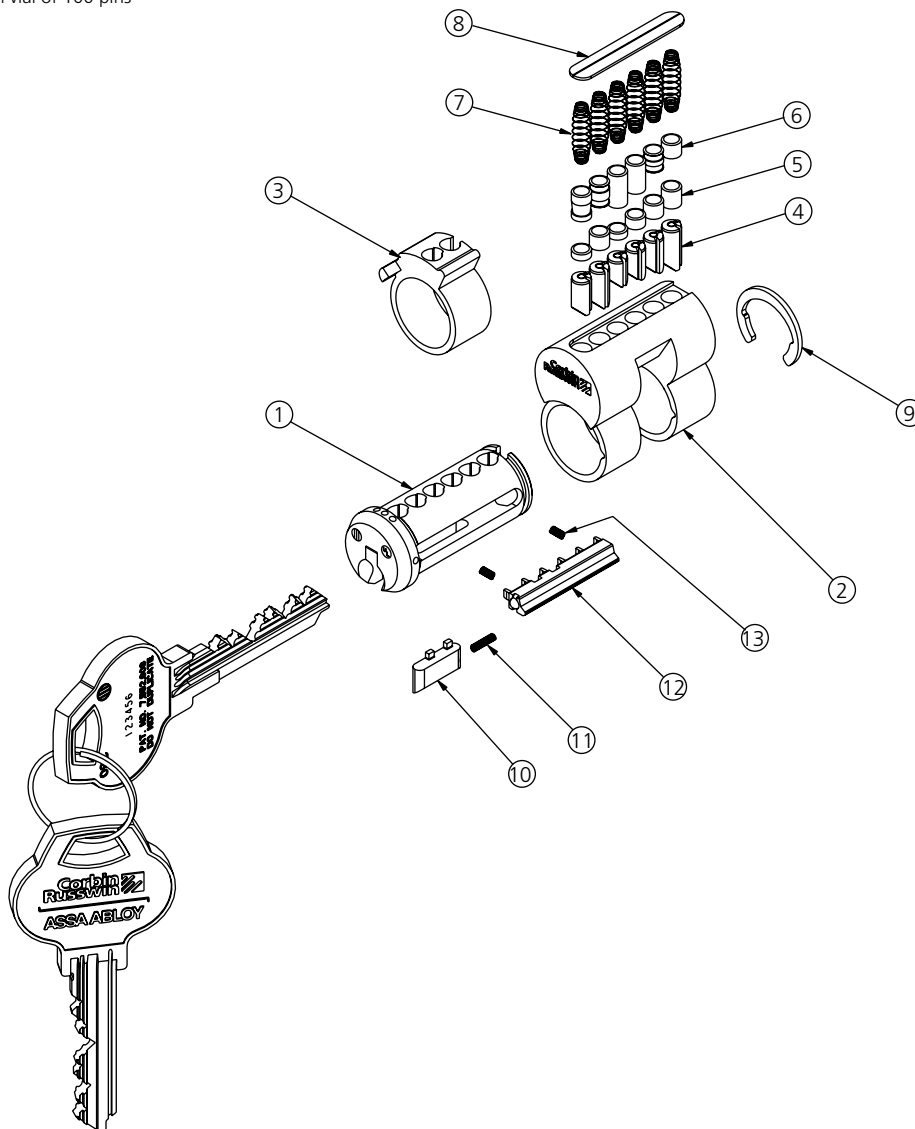
Item	Description	Part Number	Comments
1	Plug	757K51MSECFIN	Plug finishes: 606, 619
2	Core	763F59MFIN	See catalog of finishes
3	Control Sleeve	763F572	
4	Bottom Pins (L)	763F042	
	Bottom Pins (C)	763F052	
	Bottom Pins (R)	763F062	
5	Master & Build Up Pins	763F012	
		763F012*	
6	Top Pins	763F03M	
7	Tumbler Springs	763F617	
8	Spring Cover	756F722	
9	Retainer Ring	333F998	
10	Slider	756F732-756F782	
11	Slider Springs	756F797	
12	Side Bar	756F807	
13	Side Bar Springs	756F817	

\* Used in control chambers only  
Note: Items 3, 4 & 5 are in vial of 100 pins



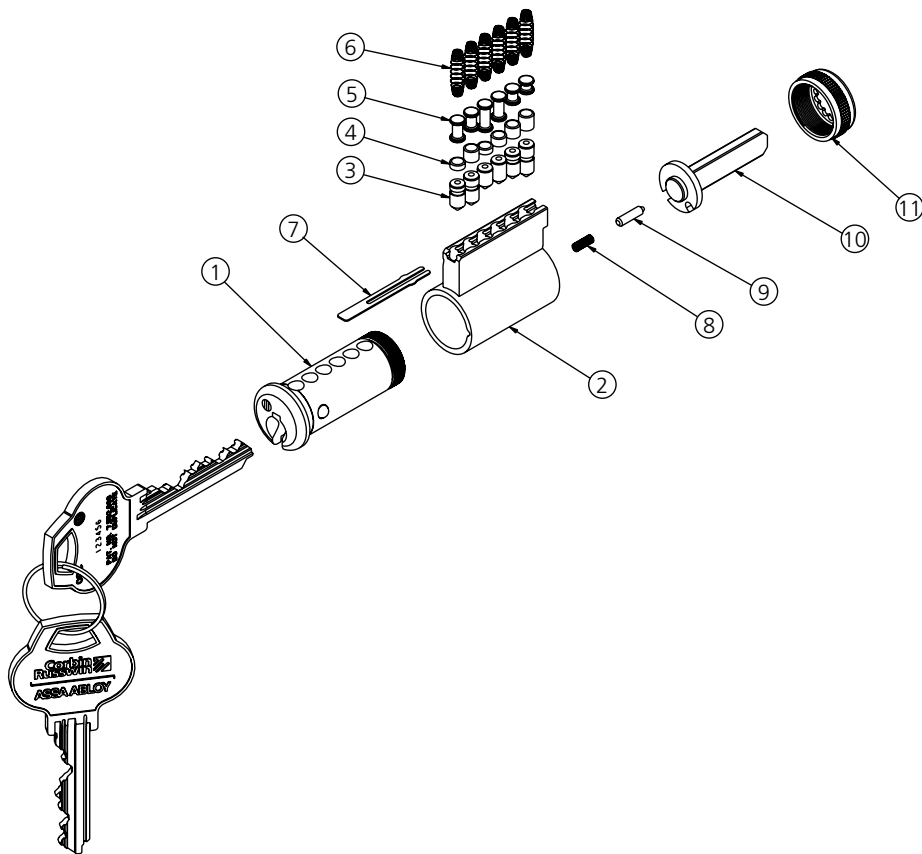
Item	Description	Part Number	Comments
1	Plug SA	757K52MSECFIN	Plug finishes: 606, 619
2	Core	763F60MFIN	See catalog for finishes
3	Control Sleeve	763F572	
4	Bottom Pins (L)	763F042	
	Bottom Pins (C)	763F052	
	Bottom Pins (R)	763F062	
5	Master & Build Up Pins	763F012	
6	Top Pins	763F012*	
		763F03M	
7	Tumbler Springs	763F617	
8	Spring Cover	756F722	
9	Retainer Ring	333F998	
10	Slider	756F732-756F782	
11	Slider Springs	756F797	
12	Side Bar	756F807	
13	Side Bar Springs	756F817	

\* Use in control chambers only  
 Note: Items 3, 4 & 5 are in vial of 100 pins



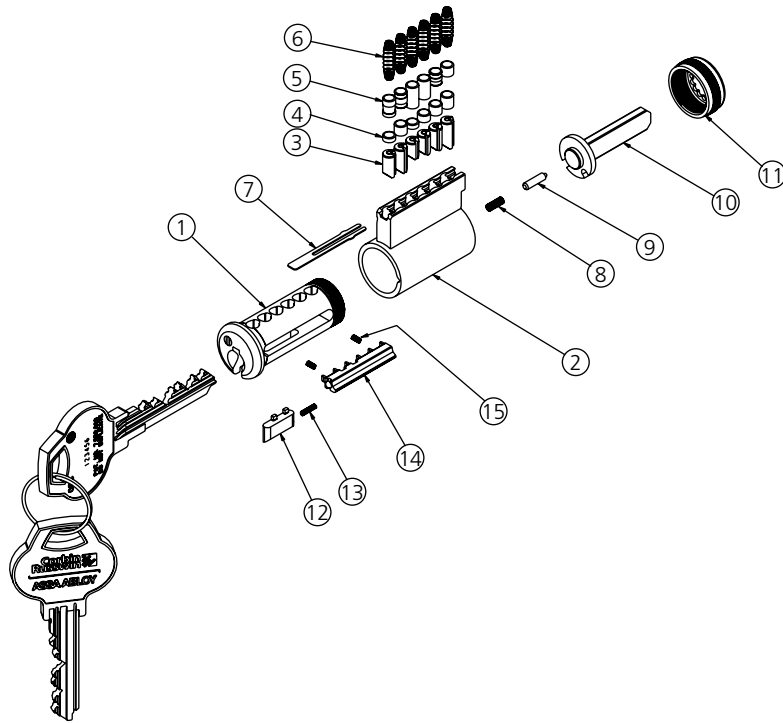
Item	Description	Part Number	Comments
1	Plug SA	758K20MSECFIN	Plug finishes: 606, 619
2	Shell	758F212	
3	Bottom Pins	763F002	
4	Master & Build Up Pins	763F012	
5	Top Pins	763F027	
6	Tumbler Springs	763F617	
7	Spring Cover	756F858	
8	Cap Pin Spring	585F327	
9	Cap Pin	585F312	
10	Tailpiece	See Access 3 Catalog	
11	Cylinder Cap	680F645	

Note: Items 3, 4 & 5 are in vial of 100 pins



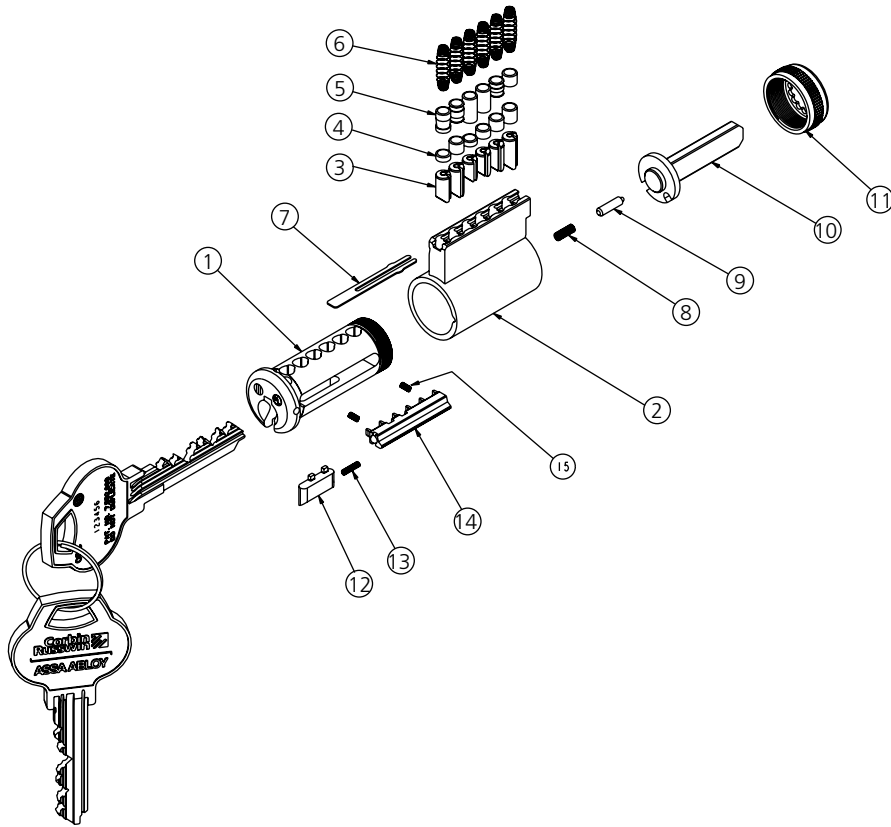
Item	Description	Part Number	Comments
1	Plug	758K18MSECFIN	Plug finishes: 606, 619
2	Shell	758F222	
3	Bottom Pins (L)	763F042	
	Bottom Pins (C)	763F052	
	Bottom Pins (R)	763F062	
4	Master & Build Up Pins	763F012	
5	Top Pins	763F03M	
6	Tumbler Springs	763F617	
7	Spring Cover	756F858	
8	Cap Pin Spring	585F327	
9	Cap Pin	585F312	
10	Tailpiece	See Access 3 Catalog	
11	Cylinder Cap	680F645	
12	Slider	756F732-756F782	
13	Slider Springs	756F797	
14	Side Bar	756F807	
15	Side Bar Springs	756F817	

Note: Items 3, 4 & 5 are in vial of 100 pins



Item	Description	Part Number	Comments
1	Plug SA	758K19MSECFIN	Plug finishes: 606, 619
2	Shell	758F222	
3	Bottom Pins (L)	763F042	
	Bottom Pins (C)	763F052	
	Bottom Pins (R)	763F062	
4	Master & Build Up Pins	763F012	
5	Top Pins	763F03M	
6	Tumbler Springs	763F617	
7	Spring Cover	756F858	
8	Cap Pin Spring	585F327	
9	Cap Pin	585F312	
10	Tailpiece	See Access 3 Catalog	
11	Cylinder Cap	680F645	
12	Slider	756F732-756F782	
13	Slider Springs	756F797	
14	Side Bar	756F807	
15	Side Bar Springs	756F817	

Note: Items 3, 4 & 5 are in vial of 100 pins







ASSA ABLOY is the global leader in door opening solutions, dedicated to satisfying end-user needs for security, safety and convenience



**ASSA ABLOY**

**In U.S.**

Corbin Russwin  
Architectural Hardware  
225 Episcopal Road  
Berlin, CT 06037  
Phone: 800-543-3658  
Fax: 800-447-6714  
[corbinrusswin.com](http://corbinrusswin.com)

**In Canada**

ASSA ABLOY Door  
Security Solutions Canada  
160 Four Valley Drive  
Vaughan, Ontario  
Canada L4K 4T9  
Phone: 800-461-3007  
Fax: 905-738-2478  
[www.assaabloy.ca](http://www.assaabloy.ca)

For more information regarding Corbin Russwin Locksets, Exit Devices, Door Controls and Key Systems, contact your authorized Corbin Russwin Distributor or Sales Representative.

Corbin Russwin and Design® is a registered trademark of Corbin Russwin, Inc, an ASSA ABLOY Group company. Other products' brand names may be trademarks or registered trademarks of their respective owners and are mentioned for reference purposes only. These materials are protected under US copyright laws. All contents current at time of publication. Corbin Russwin, Inc., an ASSA ABLOY Group company reserves the right to change availability of any item in this catalog, its design, construction, and/or its materials. Copyright © 2013, 2014 Corbin Russwin, Inc., an ASSA ABLOY Group company. All rights reserved. Reproduction in whole or in part without the express written permission of Corbin Russwin, Inc. is prohibited.