

Access
800® | IP1

Corbin
Russwin®
ASSA ABLOY

Intelligent Power over Ethernet (PoE) Access Control

The Corbin Russwin Access 800® IP1 is an intelligent Power over Ethernet (PoE) solution that integrates all standard access control components – including ANSI/BHMA Grade 1 Corbin Russwin hardware, contactless reader, door status monitoring, and controller – into a single device.

The Access 800 IP1 PoE lock uses a single Ethernet cable for both power and data, eliminating the need for any additional power supply or electrical wiring. It uses existing IEEE 802.3af PoE infrastructure to streamline the installation process, reduce costs, enable real-time communication, and minimize power consumption.

Using the Local Area Network and HID® 125 kHz proximity or 13.56 MHz iCLASS® credentials, the Access 800 IP1 offers complete access control features such as built-in door status monitoring and real-time configurable alarm notifications. Local decision making ensures operation regardless of network status.



ASSA ABLOY, the global leader
in door opening solutions



**Corbin
Russwin**
ASSA ABLOY

Access 800® IP1

Intelligent PoE Access Control

Applications

Access 800® IP1 is ideal for
Corporate campuses
Schools
Healthcare facilities

Specifications and System Requirements

Operating Power:

- › Power supplied through Ethernet
- › Class 2 Device as defined by IEEE 802.3af, requiring a maximum of 7 Watts

Software:

- › Lock Management Tool – Available for small installations
- › To ensure quick and easy integration, our products are tested and certified to work with access control software and systems from many providers. Visit www.intelligentopenings.com for a complete list of partners.
- › Software Development Kit (SDK) and support available to integrate into third party access control systems. Call 800-810-WIRE for assistance.

Security:

- › Advanced data security with standard encryption techniques – AES 128-bit encryption

Available through Authorized Channel Partners only. Contact your ASSA ABLOY Door Security Solutions sales consultant for details.

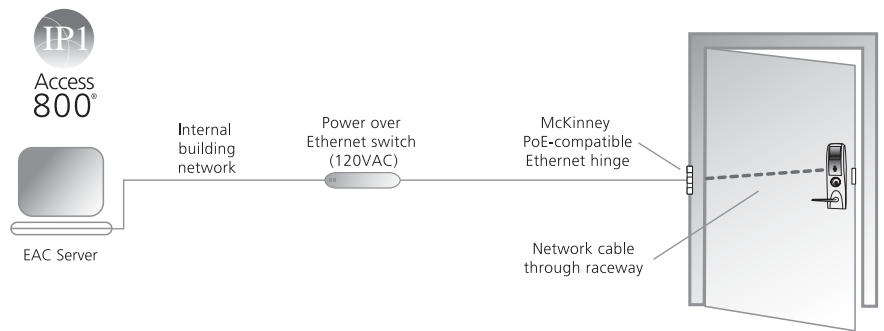


Corbin Russwin Architectural Hardware
225 Episcopal Road, Berlin, CT 06037
Phone 800-543-3658
Fax 800-447-6714
corbinrusswin.com

Features & Benefits

- Utilizes IEEE 802.3af PoE-enabled network infrastructure for both power and data
- Integrated ANSI/BHMA Grade 1 lock, available in cylindrical lock, mortise lock and exit device configurations
- Local decision making ensures operation regardless of network status
- Built-in door status monitoring and real-time, configurable alarm notifications
- Real-time communication provides online access control functionality including lockdown
- Supports 2,400 users and 10,000 event audit trail
- Supports HID® 125 kHz prox or 13.56 MHz iCLASS® credentials (26 - 39 bit); supports CSN reads for other common 13.56 MHz cards, including MiFare, DesFire, and Felica
- Full iCLASS credential authentication
- Available with a keypad option for two-factor authentication
- Available with a variety of finishes and Muséo® decorative levers for a consistent design aesthetic throughout your facility
- Weatherseal gaskets and conduit included for use on exterior door
- Significantly reduces installation time and cost compared to traditional access control
- Integration with many popular third party access control systems. For more information, call 800-810-WIRE
- No proprietary equipment required; integrates easily with existing infrastructure

Typical System Configuration



Available with Muséo® and Vineyard™ levers



MicroShield®

As part of their promise to provide innovative solutions to their customers, certain ASSA ABLOY Group brands offer the MicroShield® technology, a silver-based antimicrobial coating designed to inhibit the growth of bacteria.

MicroShield® is a registered trademark of Yale Security Inc., an ASSA ABLOY Group company.

Corbin Russwin and Design®, Access 800®, and Muséo® are registered trademarks of Corbin Russwin, Inc., an ASSA ABLOY Group company. Vineyard™ is a trademark of Corbin Russwin, Inc., an ASSA ABLOY Group company. These materials are protected under US copyright laws. Other products' brand names may be trademarks or registered trademarks of their respective owners and are mentioned for reference purposes only. All contents current at time of publication. Corbin Russwin, Inc., an ASSA ABLOY Group company reserves the right to change availability of any item in this sell sheet, its design, construction, and/or its materials. © Copyright 2012 Corbin Russwin, Inc., an ASSA ABLOY Group company. All rights reserved. Reproduction in whole or in part without the express written permission of Corbin Russwin, Inc. is prohibited.

The Genuine HID Technology logo is a trademark owned and licensed by HID Global.

ASSA ABLOY is the global leader in door opening solutions, dedicated to satisfying end-user needs for security, safety and convenience.