

# MOUNTING INFORMATION

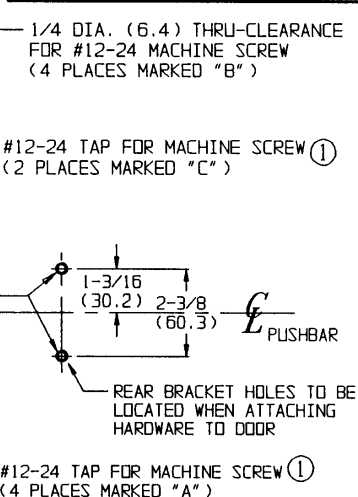
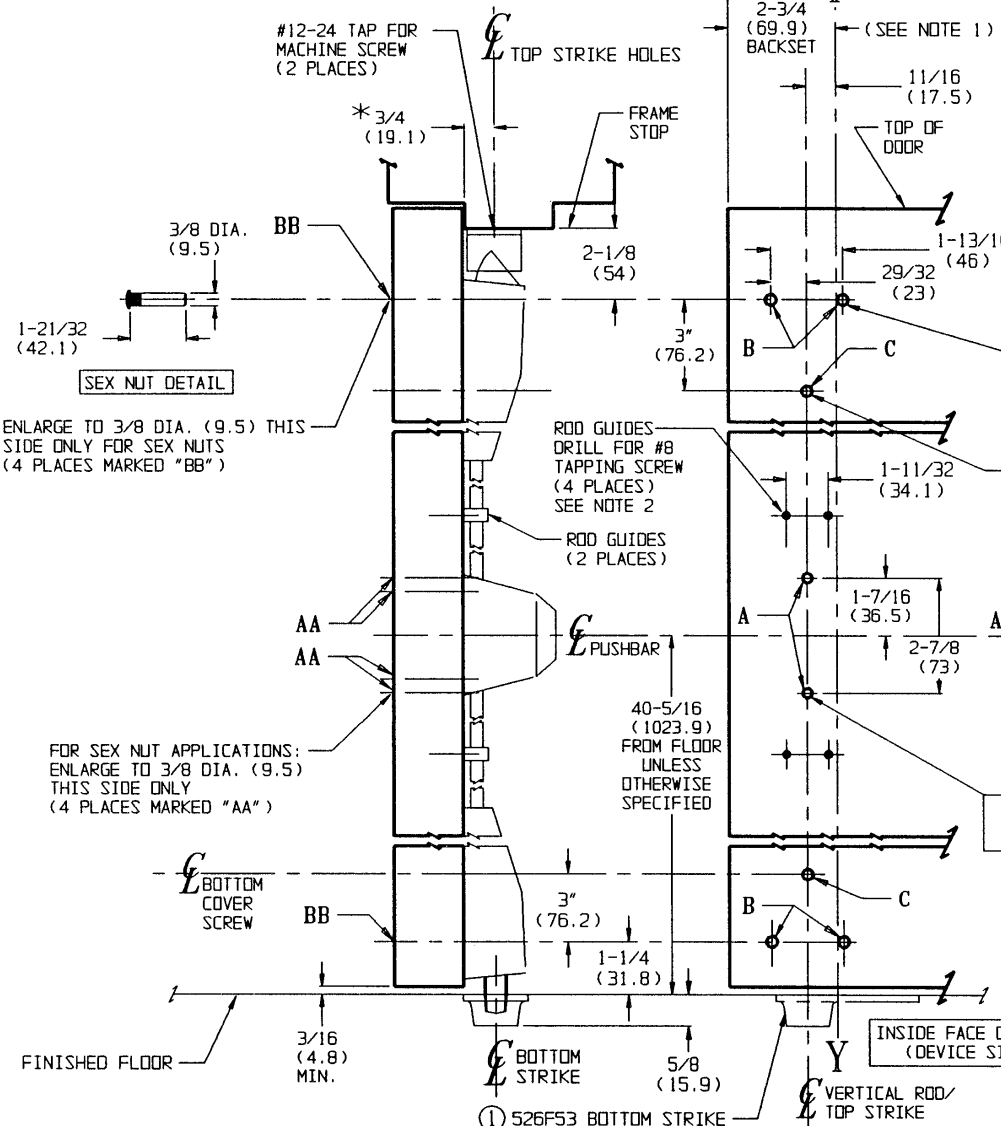
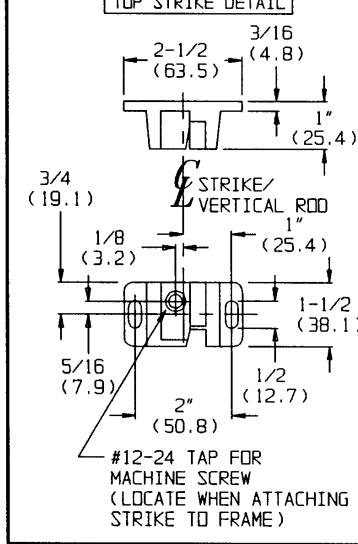
LHR SHOWN  
RHR OPPOSITE

**- For Fire Rated Exit Devices:**

Sex nuts or through bolts are required for wood core, wood and plastic covered composite doors, and any type of door without reinforcements.

526F52

TOP STRIKE DETAIL



- NOTES:
- BACKSET IS MEASURED FROM CENTERLINE OF BEVEL WHICH IS CENTERPOINT OF DOOR THICKNESS.
  - POSITION ROD GUIDES MIDWAY BETWEEN ACTIVE AND TOP/BOTTOM LATCH CASES.
  - \* CAUTION:** WHEN GLASS BEAD SHIMS ARE USED TO RAISE DEVICE AND LATCHES OFF SURFACE OF DOOR, REFER TO GLASS BEAD SHIM TEMPLATE T30494 FOR PROPER TOP STRIKE MOUNTING DIMENSIONS.
  - FOR PREPARATION OF TRIM, REFER TO SEPARATE TEMPLATE.
  - RECOMMENDED MINIMUM STILE 5" (127).
  - DIMENSIONS GIVEN IN INCHES AND (MM).

**RESPONSIBILITY**

Door and Frame Manufacturers are responsible for providing adequate construction or reinforcements for proper installation of hardware shown. All architectural builders hardware must be installed on properly reinforced doors and frames, regardless of the type, material, or method of construction.

**ED8400A SERIES**

PUSHBAR VERTICAL ROD EXIT DEVICE

**Corbin Russwin**  
www.corbinrusswin.com

DO NOT SCALE DRAWING

SUPERSEDES	T30467	DR.	BTH	APP
DATE	04/05/93	TEMPLATE NUMBER	T30467-1	