

MOUNTING INFORMATION

- For Fire Rated Exit Devices:
 Sex nuts or through bolts
are required for wood core, wood
 and plastic covered composite doors,
 and any type of door without
 reinforcements.

LHR SHOWN
RHR OPPOSITE

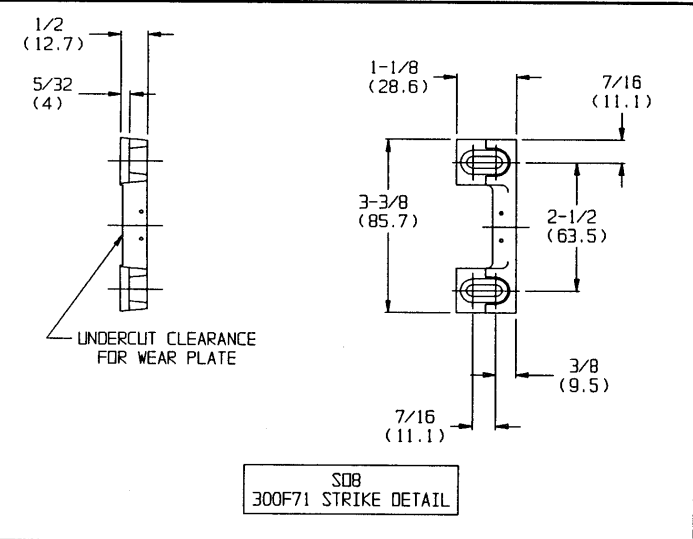
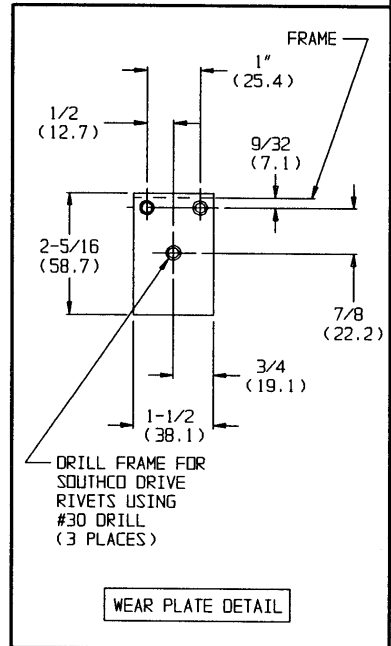
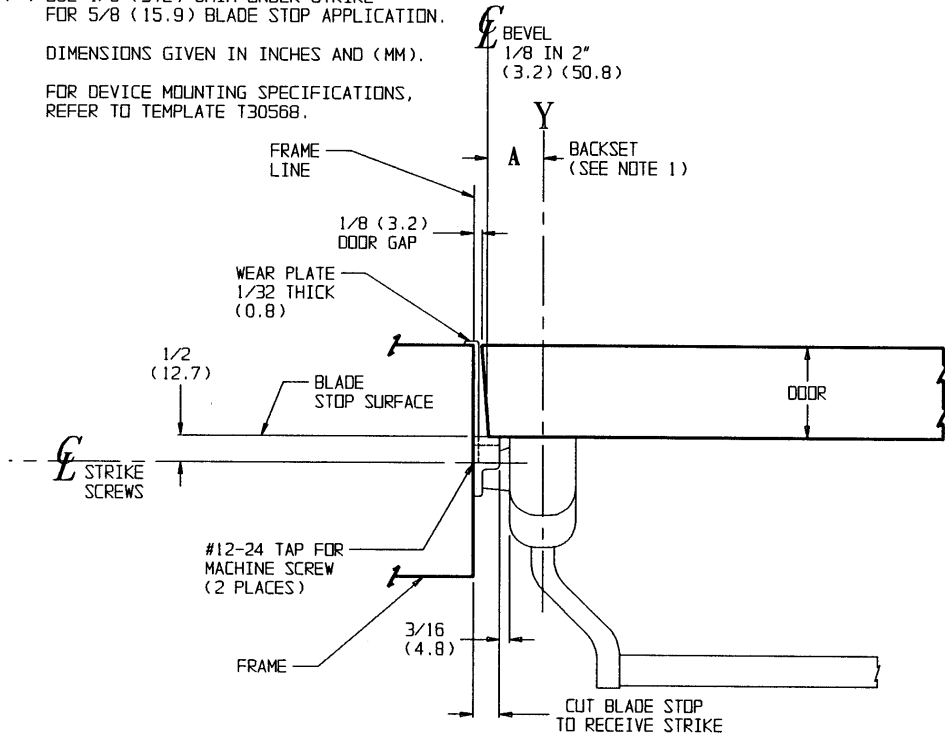
TEMPLATE CROSS REFERENCE

DESCRIPTION	TEMPLATE
ED7200 SERIES RIM DEVICE	T30568

BLADE STOP	BACKSET A	MINIMUM STILE
* 5/8 (15.9)	1-1/4 (31.8)	1-7/8 (47.6)
1/2 (12.7)	1-1/8 (28.6)	1-3/4 (44.5)

NOTES:

- BACKSET IS MEASURED FROM CENTERLINE OF BEVEL WHICH IS CENTERPOINT OF DOOR THICKNESS.
- (* USE 1/8 (3.2) SHIM UNDER STRIKE FOR 5/8 (15.9) BLADE STOP APPLICATION.
- DIMENSIONS GIVEN IN INCHES AND (MM).
- FOR DEVICE MOUNTING SPECIFICATIONS, REFER TO TEMPLATE T30568.



RESPONSIBILITY

Door and Frame Manufacturers are responsible for providing adequate construction or reinforcements for proper installation of hardware shown. All architectural builders hardware must be installed on properly reinforced doors and frames, regardless of the type, material, or method of construction.

ED7200 SERIES BY S08

CROSSBAR NARROW STILE RIM
 DEVICE BY BLADE STOP STRIKE

Corbin Russwin
 www.corbinrusswin.com

DO NOT SCALE DRAWING

SUPERSEDES	WT30107	DR.	BTH	
DATE	03/26/93	TEMPLATE NUMBER	T 30609	