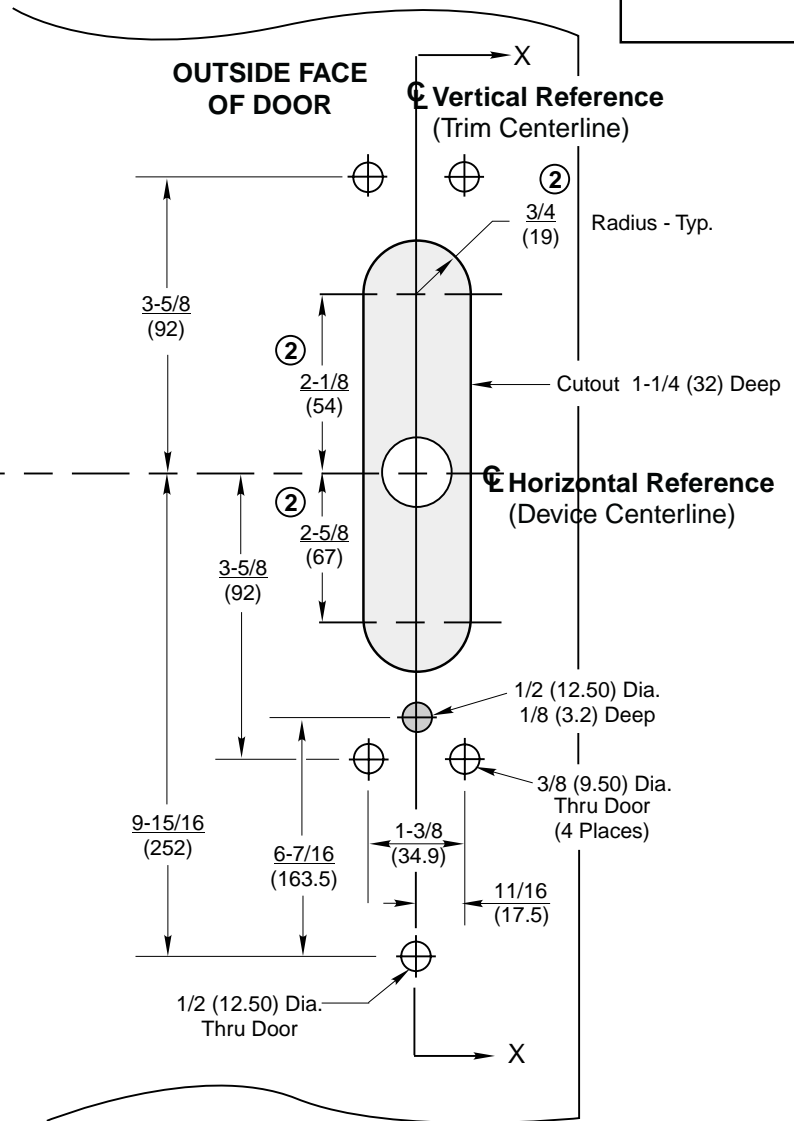
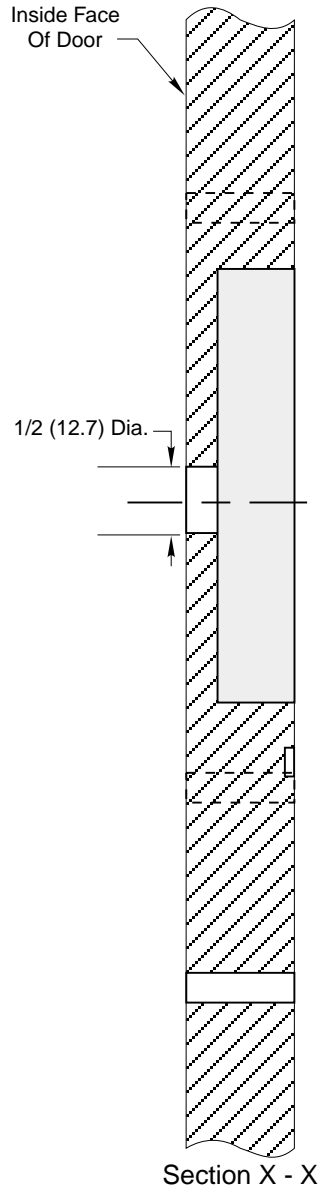
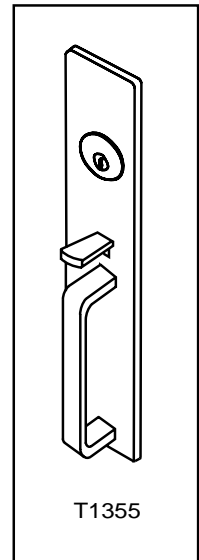


Notes:

1. This template is an addition to the device template. Locate centerlines using horizontal and vertical references device template.
2. Do not scale drawing.
3. Dimensions are in inches (mm).
4. LHR door shown. Preparation is typical for both door hands.
5. Provide adequate structural support to maintain door integrity during operation.
6. Prepare mounting holes when installing trim.
7. Dimensions given about a centerline are symmetrical.
8. Unspecified radii 1/8 (3.20) maximum.



Corbin Russwin[®]
 www.corbinrusswin.com
 SUPERSEDES T30861-1 DO NOT SCALE DRAWING
 TEMPLATE NUMBER **T30861-2** DATE **8-99**