

Opening	Dimension "A"	
	inches	mm.
To 100°	7-5/8	194
100° to 120°	6-5/8	168
120° to 150°	4-5/8	117
150° to 180°	4-1/8	105

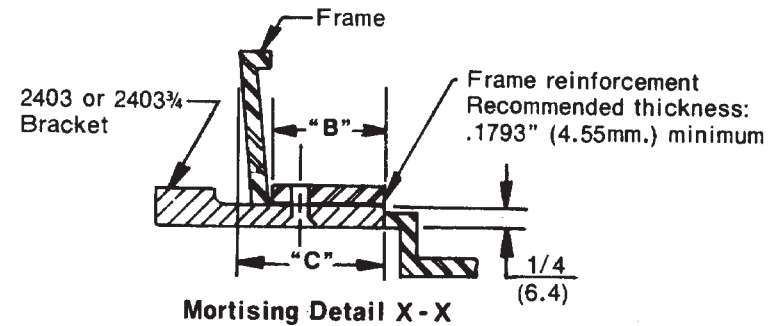
**Caution:** Door swing may be limited by door, frame, wall, or hardware conditions (including closer projection).

Hollow-metal doors require channel or box-type reinforcement when thru-bolt mount is specified.

Sex-bolts required for wood or plastic faced fire-door mounting.

Minimum thickness recommended for reinforcements in hollow-metal doors and frames: .1046" (2.66mm.) unless otherwise noted.

Do not scale drawing  
Right hand door shown  
Dimensions are in inches  
(mm.)



Bracket	Dimension "B"				Dimension "C"	
	Maximum		Minimum		Maximum	
	inches	mm.	inches	mm.	inches	mm.
2403	2	51	1-1/2	38	2-1/4	57
2403 3/4	2-3/4	70			3	76

Preparation for Fasteners			
	Fasteners	Door or Frame	Drill-Sizes
Standard	#14 type "A" S.M. screw Arm: 1-1/4" (32mm.) Closer: 2-3/4" (70mm.)	Wood	3/16" (4.30mm.)
		Aluminum	7/32" (5.50mm.)
	1/4-20 machine-screw	Metal	drill: #7 (.201" dia.) tap: 1/4-20
Optional	Sex-nuts and bolts	Hollow-Metal	9/32" (7.00mm.) through; 3/8" (9.50mm.) on door or transom-face opposite to closer
		Aluminum or Wood	3/8" (9.50mm.) through
	Through-bolts and grommet-nuts	All	9/32" (7.00mm.) through; 3/8" (9.50mm.) dia. x 3/8" (10mm.) deep on door or transom-face opposite to closer

**7500, 7700, 7700COU and 7700TEL Series Door Closers  
With 2403 or 2403-3/4 Bracket  
With or Without 7786 Backplate  
Regular Arm Installation With Non Hold Open Arm**



ASSA ABLOY

www.nortondoorcontrols.com

TEMPLATE NUMBER

**7377-0103**

DATE

**07-08**