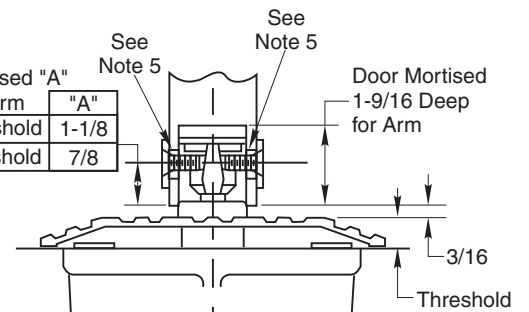
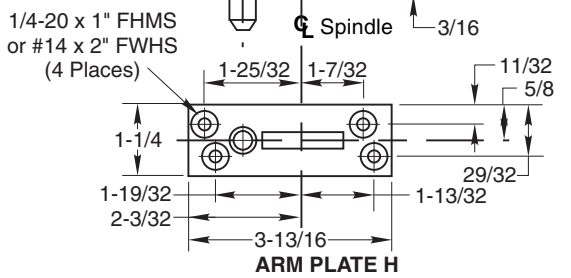


Door Mortised "A" Deep for Arm	"A"
1/4 Threshold	1-1/8
1/2 Threshold	7/8



WITH THRESHOLD
Set Cement Case Flush with Finished Floor



- Notes:**
1. Do not scale drawing.
 2. Suitable reinforcing by others.
 3. Rixson design threshold available on request.
 4. Tighten adjusting screw to notched "V" line on arm to acquire standard initial location of door. Screw moves door towards and away from jamb to equalize door clearances.
 5. Provide 5/8" dia. hole for alignment screw.
 6. All dimensions given in inches.

"B"	
Floor Plate	1-1/16
1/4 Threshold	15/16
1/2 Threshold	11/16

28 Series Floor Closer Center Hung Single Acting

RIXSON
ASSA ABLOY

www.rixson.com

TEMPLATE NUMBER	DATE
CH20100	02-09