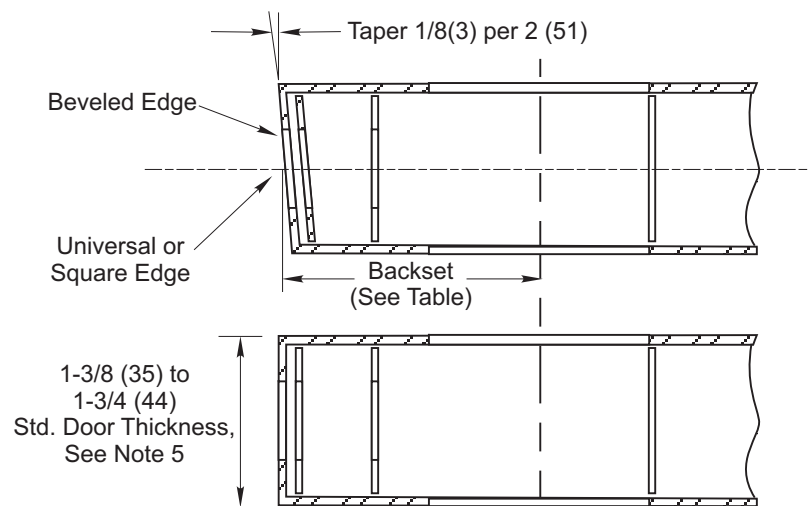


**4700LN SERIES
Lever Locks**

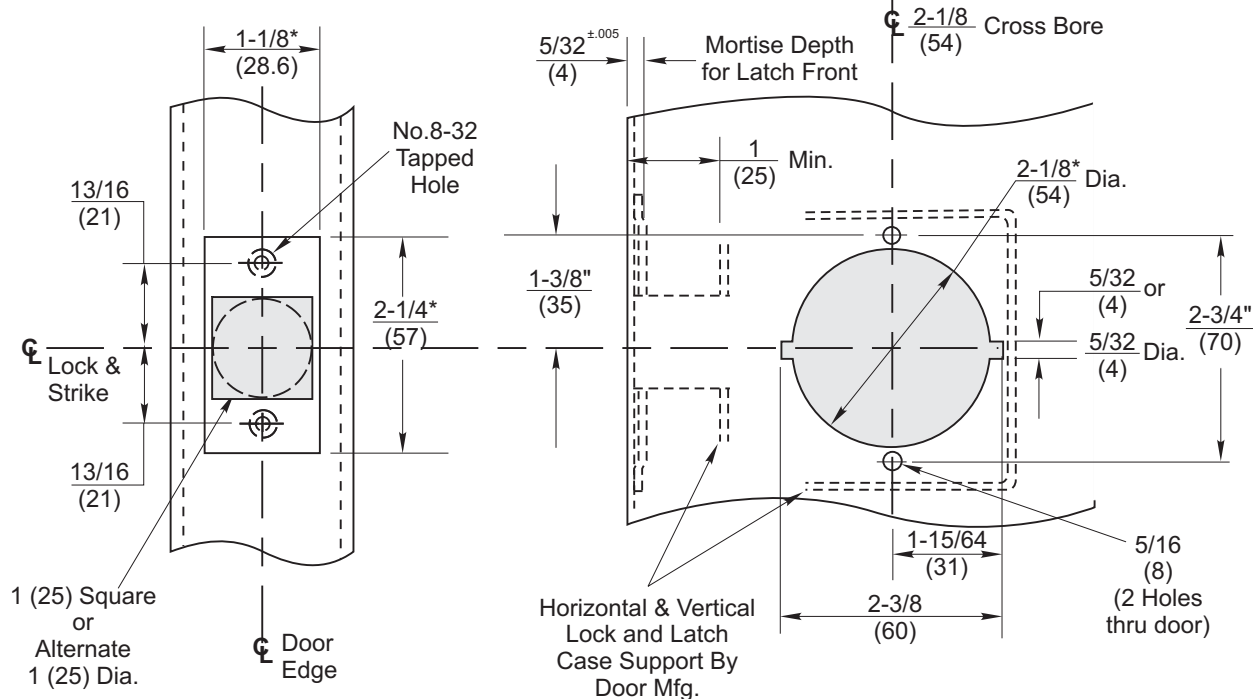
Latch Mdl #	Type	Front	Backset	Throw	Latch Dia.
693	Plain	Bevel	2-3/4(70)	1/2(13)	1(25)
694	Deadlocking	Bevel	2-3/4(70)	1/2(13)	1(25)
F693	Plain	Flat	2-3/4(70)	1/2(13)	1(25)
F694	Deadlocking	Flat	2-3/4(70)	1/2(13)	1(25)
3693	Plain	Bevel	3-3/4(95)	1/2(13)	1(25)
3694	Deadlocking	Bevel	3-3/4(95)	1/2(13)	1(25)
480B	Deadlocking	Bevel	2-3/4(70)	3/4(19)	1(25)
3480B	Deadlocking	Bevel	3-3/4(95)	3/4(19)	1(25)
F480B	Deadlocking	Flat	2-3/4(70)	3/4(19)	1(25)

DO NOT SCALE



Notes:

- When 4-7/8" (123.8) Strike is specified, refer to Yale No. 497 Strike, Template No. 7102-0003.
- When T-Strike is specified, refer to Yale No. 371 Strike, Template 7102-0005.
- Dimensions marked with * have tolerances of +.015, -0.000
- All dimensions given in inches (mm).
- Standard Locks adjustable for 1-3/8(35) to 1-3/4(44) door thicknesses.



**4700LN Series Lever Handle Cylindrical Locks - 1-1/8" Wide Front
H.M. Door Preparation (See ANSI/BHMA A156.115)
2-3/4" or 3-3/4" Backsets**



100 Yale Ave.
Lenoir City, TN 37771-3226
1-800-438-1951

www.yalelocks.com

TEMPLATE NUMBER

7150-0109

DATE

04-10